

 **BOEING**  
COMPONENT  
MAINTENANCE MANUAL

TO: ALL HOLDERS OF FAN DUCT COWL ASSEMBLY COMPONENT MAINTENANCE MANUAL  
71-11-31

REVISION NO. 10 DATED JUL 01/03

HIGHLIGHTS

Pages which have been added or revised are outlined below together with the highlights of the revision. Remove and insert the affected pages as listed and enter Revision No. and date on the Record of Revision Sheet.

CHAPTER/SECTION

AND PAGE NO.

DESCRIPTION OF CHANGE

TR & SB RECORD

Incorporated Service Bulletin 767-78A0089.

1

301

501

REPAIR 2-1

601

713

1002-1060Y,1061,1062H,

10620,1062U-1070U,

1071-1072S,1074C-1076C,

1076S-1080D,1080G-1080K,

10800-1080Z,1082C-1082R,

1083-1084Q,1084S-1085

**71-11-31**

HIGHLIGHTS

01.1

Page 1

Jul 01/03

## FAN DUCT COWL ASSEMBLY (JT9D)

PART NUMBERS 315T3002-25 THRU -28,-33,-35,-43,  
-45,-47,-49

COMPONENT MAINTENANCE MANUAL  
WITH  
ILLUSTRATED PARTS LIST

**71-11-31**

TITLE PAGE

Page 1

Jun 01/95

01.1



REVISION RECORD

- Retain this record in front of manual. On receipt of revision, insert revised pages in the manual, and enter revision number, date inserted and initial.

REVISION NUMBER	REVISION DATE	DATE FILED	BY	REVISION NUMBER	REVISION DATE	DATE FILED	BY


**BOEING**  
 COMPONENT  
 MAINTENANCE MANUAL
TEMPORARY REVISION AND SERVICE BULLETIN RECORD

BOEING SERVICE BULLETIN	BOEING TEMPORARY REVISION	OTHER DIRECTIVE	DATE OF INCORPORATION INTO MANUAL
		PRR B10045-1	OCT 10/82
		PRR B10006	OCT 10/82
		PRR B10040	OCT 10/82
		PRR B10045	OCT 10/82
		PRR B10086	OCT 10/82
		PRR B10114	OCT 10/82
		PRR B10125	OCT 10/82
		PRR B10126	OCT 10/82
		PRR B10134	OCT 10/82
		PRR B10156	OCT 10/82
		PRR B10164-1	OCT 10/82
		PRR B10185	OCT 10/82
		PRR B10224	OCT 10/82
		PRR B10044	OCT 10/82
		PRR 10388	JAN 10/84
		PRR 10404	JAN 10/84
		PRR 10413	JAN 10/84
		PRR 10455	JAN 10/84
		PRR 10461	JAN 10/84
		PRR 10483	JAN 10/84
		PRR 10484-1	JAN 10/84
		PRR 10554	JAN 10/84
		PRR 10572	JAN 10/84
		PRR 10584	JAN 10/84
		PRR B10756	JUL 10/86
		PRR B10770	JUL 10/86
		PRR B10905	JUL 10/86
		PRR B10979	JUL 10/86
		PRR B11264	JUL 10/86
			APR 10/87
		PRR B11287	JUL 10/86
		PRR B11315	JUL 10/86
		PRR B11468	JUL 10/86
			JUN 01/95
		PRR B11403	SEP 01/95
		PRR B12493	SEP 01/95
		PRR B11176	SEP 01/95
			JUL 01/03
SB 78-12			
767-78-0074			
767-78-0020R1			
767-78-0069R1			
767-75-0004R1			
767-78A0089			

71-11-31

TR &amp; SB RECORD

01.1

Page 1

Jul 01/03


**BOEING**  
 COMPONENT  
 MAINTENANCE MANUAL

PAGE	DATE	CODE	PAGE	DATE	CODE
71-11-31					
TITLE PAGE			REPAIR-GENERAL		
1	JUN 01/95	01.1	601	SEP 01/95	01.1
2	BLANK		602	JUL 10/83	01
REVISION RECORD			603	JUN 01/95	01.1
1	JUL 10/83	01	604	JUN 01/95	01.1
2	BLANK		REPAIR 2-1		
TR & SB RECORD			*601	JUL 01/03	01.1
*1	JUL 01/03	01.1	602	BLANK	
2	BLANK		REPAIR 3-1		
LIST OF EFFECTIVE PAGES			601	SEP 01/95	01.1
*1	JUL 01/03	01	602	BLANK	
THRU LAST PAGE			REPAIR 4-1		
CONTENTS			601	SEP 01/95	01.1
1	JUL 10/86	01.1	602	BLANK	
2	BLANK		REPAIR 5-1		
INTRODUCTION			601	SEP 01/95	01.1
1	JUL 10/83	01	602	BLANK	
2	BLANK		REPAIR 6-1		
DESCRIPTION & OPERATION			601	JUL 10/86	01.1
1	JAN 10/84	01.1	602	BLANK	
2	BLANK		REPAIR 7-1		
DISASSEMBLY			601	JUL 10/83	01
*301	JUL 01/03	01.1	602	SEP 01/95	01.1
302	BLANK		REPAIR 8-1		
CLEANING			601	DEC 01/95	01.1
401	JUL 10/86	01.1	602	DEC 01/95	01.1
402	BLANK		603	DEC 01/95	01.1
CHECK			604	BLANK	
*501	JUL 01/03	01.1	REPAIR 9-1		
502	JUL 10/86	01.101	601	SEP 01/95	01.1
			602	SEP 01/95	01.1

\* = REVISED, ADDED OR DELETED

71-11-31

EFFECTIVE PAGES  
CONTINUED Page 1  
01 Jul 01/03

PAGE	DATE	CODE	PAGE	DATE	CODE
REPAIR 10-1			ASSEMBLY		
601	JUL 10/86	01.1	701	JUL 10/86	01.1
602	BLANK		702	SEP 01/95	01.1
REPAIR 11-1			703	JUN 01/95	01.1
601	SEP 01/95	01.1	704	JUN 01/95	01.1
602	SEP 01/95	01.1	705	JUL 10/83	01
603	SEP 01/95	01.1	706	SEP 01/95	01.1
604	SEP 01/95	01.1	707	JUL 10/83	01
605	SEP 01/95	01.1	708	JUL 10/83	01
606	SEP 01/95	01.1	709	JUL 10/83	01
607	SEP 01/95	01.1	710	JUL 10/83	01
608	SEP 01/95	01.1	711	OCT 10/83	01.101
609	SEP 01/95	01.1	712	SEP 01/95	01.1
610	SEP 01/95	01.101	*713	JUL 01/03	01.1
611	SEP 01/95	01.101	714	JUN 01/95	01.101
612	SEP 01/95	01.101	715	SEP 01/95	01.1
613	SEP 01/95	01.101	716	JUN 01/95	01.101
614	SEP 01/95	01.101	717	JUL 10/83	01
615	SEP 01/95	01.101	718	JUL 10/83	01
616	SEP 01/95	01.101	719	JUL 10/83	01
617	SEP 01/95	01.101	720	JUL 10/83	01
618	SEP 01/95	01.101	721	JUL 10/83	01
619	SEP 01/95	01.101	722	JUL 10/83	01
620	SEP 01/95	01.101	723	JUL 10/83	01
621	SEP 01/95	01.101	724	JUL 10/83	01.1
622	SEP 01/95	01.101	725	JUL 10/83	01
REPAIR 12-1			726	JUL 10/83	01
601	SEP 01/95	01.1	727	JUL 10/83	01
602	JUL 10/86	01.1	728	JUL 10/83	01
603	JUL 10/86	01.1	729	JUN 01/95	01.1
604	BLANK		730	JUN 01/95	01.1
REPAIR 13-1			FITS AND CLEARANCES		
601	JUL 10/86	01.1	801	DEC 01/95	01.1
602	BLANK		802	DEC 01/95	01.1
REPAIR 14-1			803	SEP 01/96	01.1
601	SEP 01/95	01.1	804	DEC 01/95	01.101
602	SEP 01/95	01.1	ILLUSTRATED PARTS LIST		
			1001	JUL 10/83	01
			*1002	JUL 01/03	01.1
			*1003	JUL 01/03	01.1
			*1004	JUL 01/03	01.1

\* = REVISED, ADDED OR DELETED

71-11-31

EFFECTIVE PAGES  
CONTINUED Page 2  
01 Jul 01/03


**BOEING**  
 COMPONENT  
 MAINTENANCE MANUAL

PAGE	DATE	CODE	PAGE	DATE	CODE
ILLUSTRATED PARTS LIST		CONT.	ILLUSTRATED PARTS LIST		CONT.
*1005	JUL 01/03	01.1	*1047	JUL 01/03	01.1
*1006	JUL 01/03	01.1	*1048	JUL 01/03	01.1
*1007	JUL 01/03	01.1	*1049	JUL 01/03	01.1
*1008	JUL 01/03	01.1	*1050	JUL 01/03	01.1
*1009	JUL 01/03	01.1	*1051	JUL 01/03	01.1
*1010	JUL 01/03	01.1	*1052	JUL 01/03	01.1
*1011	JUL 01/03	01.1	*1053	JUL 01/03	01.1
*1012	JUL 01/03	01.1	*1054	JUL 01/03	01.1
*1013	JUL 01/03	01.1	*1055	JUL 01/03	01.1
*1014	JUL 01/03	01.1	*1056	JUL 01/03	01.1
*1015	JUL 01/03	01.1	*1057	JUL 01/03	01.1
*1016	JUL 01/03	01.1	*1058	JUL 01/03	01.1
*1017	JUL 01/03	01.1	*1059	JUL 01/03	01.1
*1018	JUL 01/03	01.1	*1060	JUL 01/03	01.1
*1019	JUL 01/03	01.1	*1060A	JUL 01/03	01.1
*1020	JUL 01/03	01.1	*1060B	JUL 01/03	01.1
*1021	JUL 01/03	01.1	*1060C	JUL 01/03	01.1
*1022	JUL 01/03	01.1	*1060D	JUL 01/03	01.1
*1023	JUL 01/03	01.1	*1060E	JUL 01/03	01.1
*1024	JUL 01/03	01.1	*1060F	JUL 01/03	01.1
*1025	JUL 01/03	01.1	*1060G	JUL 01/03	01.1
*1026	JUL 01/03	01.1	*1060H	JUL 01/03	01.1
*1027	JUL 01/03	01.1	*1060I	JUL 01/03	01.1
*1028	JUL 01/03	01.1	*1060J	JUL 01/03	01.1
*1029	JUL 01/03	01.1	*1060K	JUL 01/03	01.1
*1030	JUL 01/03	01.1	*1060L	JUL 01/03	01.1
*1031	JUL 01/03	01.1	*1060M	JUL 01/03	01.1
*1032	JUL 01/03	01.1	*1060N	JUL 01/03	01.1
*1033	JUL 01/03	01.1	*1060O	JUL 01/03	01.1
*1034	JUL 01/03	01.1	*1060P	JUL 01/03	01.1
*1035	JUL 01/03	01.1	*1060Q	JUL 01/03	01.1
*1036	JUL 01/03	01.1	*1060R	JUL 01/03	01.1
*1037	JUL 01/03	01.1	*1060S	JUL 01/03	01.1
*1038	JUL 01/03	01.1	*1060T	JUL 01/03	01.1
*1039	JUL 01/03	01.1	*1060U	JUL 01/03	01.1
*1040	JUL 01/03	01.1	*1060V	JUL 01/03	01.1
*1041	JUL 01/03	01.1	*1060W	JUL 01/03	01.1
*1042	JUL 01/03	01.1	*1060X	JUL 01/03	01.1
*1043	JUL 01/03	01.1	*1060Y	JUL 01/03	01.1
*1044	JUL 01/03	01.1	*1060Z	BLANK	
*1045	JUL 01/03	01.1	*1061	JUL 01/03	01.1
*1046	JUL 01/03	01.1	*1062	JUL 01/03	01.1

\* = REVISED, ADDED OR DELETED

# 71-11-31

EFFECTIVE PAGES  
 CONTINUED Page 3  
 01 Jul 01/03

PAGE	DATE	CODE	PAGE	DATE	CODE
ILLUSTRATED PARTS LIST		CONT.	ILLUSTRATED PARTS LIST		CONT.
*1062A	JUL 01/03	01.1	*10640	JUL 01/03	01.1
*1062B	JUL 01/03	01.1	*1064P	JUL 01/03	01.1
*1062C	JUL 01/03	01.1	*1064Q	JUL 01/03	01.1
*1062D	JUL 01/03	01.1	*1064R	JUL 01/03	01.1
*1062E	JUL 01/03	01.1	*1064S	JUL 01/03	01.1
*1062F	JUL 01/03	01.1	*1064T	JUL 01/03	01.1
*1062G	JUL 01/03	01.1	*1064U	JUL 01/03	01.1
*1062H	JUL 01/03	01.1	*1064V	JUL 01/03	01.1
*1062I	JUL 01/03	01.1	*1064W	JUL 01/03	01.1
*1062J	JUL 01/03	01.1	*1064X	JUL 01/03	01.1
*1062K	JUL 01/03	01.1	*1064Y	JUL 01/03	01.1
*1062L	JUL 01/03	01.1	*1064Z	JUL 01/03	01.1
*1062M	JUL 01/03	01.1	*1065	JUL 01/03	01.1
*1062N	JUL 01/03	01.1	*1066	JUL 01/03	01.1
*1062O	JUL 01/03	01.1	*1066A	JUL 01/03	01.1
*1062P	JUL 01/03	01.1	*1066B	JUL 01/03	01.1
*1062Q	JUL 01/03	01.1	*1066C	JUL 01/03	01.1
*1062R	JUL 01/03	01.1	*1066D	JUL 01/03	01.1
*1062S	JUL 01/03	01.1	*1066E	JUL 01/03	01.1
*1062T	JUL 01/03	01.1	*1066F	JUL 01/03	01.1
*1062U	JUL 01/03	01.1	*1066G	JUL 01/03	01.1
*1062V	JUL 01/03	01.1	*1066H	JUL 01/03	01.1
*1062W	JUL 01/03	01.1	*1066I	JUL 01/03	01.1
*1062X	JUL 01/03	01.1	*1066J	JUL 01/03	01.1
*1062Y	JUL 01/03	01.1	*1066K	JUL 01/03	01.1
*1062Z	JUL 01/03	01.1	*1066L	JUL 01/03	01.1
*1063	JUL 01/03	01.1	*1066M	JUL 01/03	01.1
*1064	JUL 01/03	01.1	*1066N	JUL 01/03	01.1
*1064A	JUL 01/03	01.1	*1066O	JUL 01/03	01.1
*1064B	JUL 01/03	01.1	*1066P	JUL 01/03	01.1
*1064C	JUL 01/03	01.1	*1066Q	JUL 01/03	01.1
*1064D	JUL 01/03	01.1	*1066R	JUL 01/03	01.1
*1064E	JUL 01/03	01.1	*1066S	JUL 01/03	01.1
*1064F	JUL 01/03	01.1	*1066T	JUL 01/03	01.1
*1064G	JUL 01/03	01.1	*1066U	JUL 01/03	01.1
*1064H	JUL 01/03	01.1	*1066V	JUL 01/03	01.1
*1064I	JUL 01/03	01.1	*1066W	JUL 01/03	01.1
*1064J	JUL 01/03	01.1	*1066X	JUL 01/03	01.1
*1064K	JUL 01/03	01.1	*1066Y	JUL 01/03	01.1
*1064L	JUL 01/03	01.1	*1066Z	JUL 01/03	01.1
*1064M	JUL 01/03	01.1	*1067	JUL 01/03	01.1
*1064N	JUL 01/03	01.1	*1068	JUL 01/03	01.1

\* = REVISED, ADDED OR DELETED

# 71-11-31

EFFECTIVE PAGES  
 CONTINUED Page 4  
 01 Jul 01/03




**BOEING**  
 COMPONENT  
 MAINTENANCE MANUAL

PAGE	DATE	CODE	PAGE	DATE	CODE
ILLUSTRATED PARTS LIST		CONT.	ILLUSTRATED PARTS LIST		CONT.
*1068A	JUL 01/03	01.1	*10700	JUL 01/03	01.1
*1068B	JUL 01/03	01.1	*1070P	JUL 01/03	01.1
*1068C	JUL 01/03	01.1	*1070Q	JUL 01/03	01.1
*1068D	JUL 01/03	01.1	*1070R	JUL 01/03	01.1
*1068E	JUL 01/03	01.1	*1070S	JUL 01/03	01.1
*1068F	JUL 01/03	01.1	*1070T	JUL 01/03	01.1
*1068G	JUL 01/03	01.1	*1070U	JUL 01/03	01.1
*1068H	JUL 01/03	01.1	*1070V	BLANK	
*1068I	JUL 01/03	01.1	*1070W	JUL 01/03	01.1
*1068J	JUL 01/03	01.1	*1070X	JUL 01/03	01.1
*1068K	JUL 01/03	01.1	*1070Y	JUL 01/03	01.1
*1068L	JUL 01/03	01.1	*1070Z	JUL 01/03	01.1
*1068M	JUL 01/03	01.1	*1071	JUL 01/03	01.1
*1068N	JUL 01/03	01.1	*1072	JUL 01/03	01.1
*1068O	JUL 01/03	01.1	*1072A	JUL 01/03	01.1
*1068P	JUL 01/03	01.1	*1072B	JUL 01/03	01.1
*1068Q	JUL 01/03	01.1	*1072C	JUL 01/03	01.1
*1068R	JUL 01/03	01.1	*1072D	JUL 01/03	01.1
*1068S	JUL 01/03	01.1	*1072E	JUL 01/03	01.1
*1068T	JUL 01/03	01.1	*1072F	JUL 01/03	01.1
*1068U	JUL 01/03	01.1	*1072G	JUL 01/03	01.1
*1068V	JUL 01/03	01.1	*1072H	JUL 01/03	01.1
*1068W	JUL 01/03	01.1	*1072I	JUL 01/03	01.1
*1068X	JUL 01/03	01.1	*1072J	JUL 01/03	01.1
*1068Y	JUL 01/03	01.1	*1072K	JUL 01/03	01.1
*1068Z	JUL 01/03	01.1	*1072L	JUL 01/03	01.1
*1069	JUL 01/03	01.1	*1072M	JUL 01/03	01.1
*1070	JUL 01/03	01.1	*1072N	JUL 01/03	01.1
*1070A	JUL 01/03	01.1	*1072O	JUL 01/03	01.1
*1070B	JUL 01/03	01.1	*1072P	JUL 01/03	01.1
*1070C	JUL 01/03	01.1	*1072Q	JUL 01/03	01.1
*1070D	JUL 01/03	01.1	*1072R	JUL 01/03	01.1
*1070E	JUL 01/03	01.1	*1072S	JUL 01/03	01.1
*1070F	JUL 01/03	01.1	*1072T	BLANK	
*1070G	JUL 01/03	01.1	*1072U	JUL 01/03	01.1
*1070H	JUL 01/03	01.1	*1072V	JUL 01/03	01.1
*1070I	JUL 01/03	01.1	*1072W	JUL 01/03	01.1
*1070J	JUL 01/03	01.1	*1072X	JUL 01/03	01.1
*1070K	JUL 01/03	01.1	*1072Y	JUL 01/03	01.1
*1070L	JUL 01/03	01.1	*1072Z	JUL 01/03	01.1
*1070M	JUL 01/03	01.1	*1073	JUL 01/03	01.1
*1070N	JUL 01/03	01.1	*1074	JUL 01/03	01.1

\* = REVISED, ADDED OR DELETED

71-11-31

EFFECTIVE PAGES

CONTINUED Page 5

01 Jul 01/03

PAGE	DATE	CODE	PAGE	DATE	CODE
ILLUSTRATED PARTS LIST		CONT.	ILLUSTRATED PARTS LIST		CONT.
*1074A	JUL 01/03	01.1	*10760	JUL 01/03	01.1
*1074B	JUL 01/03	01.1	*1076P	JUL 01/03	01.1
*1074C	JUL 01/03	01.1	*1076Q	JUL 01/03	01.1
*1074D	JUL 01/03	01.1	*1076R	JUL 01/03	01.1
*1074E	JUL 01/03	01.1	*1076S	JUL 01/03	01.1
*1074F	JUL 01/03	01.1	*1076T	JUL 01/03	01.1
*1074G	JUL 01/03	01.1	*1076U	JUL 01/03	01.1
*1074H	JUL 01/03	01.1	*1076V	JUL 01/03	01.1
*1074I	JUL 01/03	01.1	*1076W	JUL 01/03	01.1
*1074J	JUL 01/03	01.1	*1076X	JUL 01/03	01.1
*1074K	JUL 01/03	01.1	*1076Y	JUL 01/03	01.1
*1074L	JUL 01/03	01.1	*1076Z	JUL 01/03	01.1
*1074M	JUL 01/03	01.1	*1077	JUL 01/03	01.1
*1074N	JUL 01/03	01.1	*1078	JUL 01/03	01.1
*10740	JUL 01/03	01.1	*1078A	JUL 01/03	01.1
*1074P	JUL 01/03	01.1	*1078B	JUL 01/03	01.1
*1074Q	JUL 01/03	01.1	*1078C	JUL 01/03	01.1
*1074R	JUL 01/03	01.1	*1078D	JUL 01/03	01.1
*1074S	JUL 01/03	01.1	*1078E	JUL 01/03	01.1
*1074T	JUL 01/03	01.1	*1078F	JUL 01/03	01.1
*1074U	JUL 01/03	01.1	*1078G	JUL 01/03	01.1
*1074V	JUL 01/03	01.1	*1078H	JUL 01/03	01.1
*1074W	JUL 01/03	01.1	*1078I	JUL 01/03	01.1
*1074X	JUL 01/03	01.1	*1078J	JUL 01/03	01.1
*1074Y	JUL 01/03	01.1	*1078K	JUL 01/03	01.1
*1074Z	JUL 01/03	01.1	*1078L	JUL 01/03	01.1
*1075	JUL 01/03	01.1	*1078M	JUL 01/03	01.1
*1076	JUL 01/03	01.1	*1078N	JUL 01/03	01.1
*1076A	JUL 01/03	01.1	*1078O	JUL 01/03	01.1
*1076B	JUL 01/03	01.1	*1078P	JUL 01/03	01.1
*1076C	JUL 01/03	01.1	*1078Q	JUL 01/03	01.1
*1076D	BLANK		*1078R	JUL 01/03	01.1
*1076E	JUL 01/03	01.1	*1078S	JUL 01/03	01.1
*1076F	JUL 01/03	01.1	*1078T	JUL 01/03	01.1
*1076G	JUL 01/03	01.1	*1078U	JUL 01/03	01.1
*1076H	JUL 01/03	01.1	*1078V	JUL 01/03	01.1
*1076I	JUL 01/03	01.1	*1078W	JUL 01/03	01.1
*1076J	JUL 01/03	01.1	*1078X	JUL 01/03	01.1
*1076K	JUL 01/03	01.1	*1078Y	JUL 01/03	01.1
*1076L	JUL 01/03	01.1	*1078Z	JUL 01/03	01.1
*1076M	JUL 01/03	01.1	*1079	JUL 01/03	01.1
*1076N	JUL 01/03	01.1	*1080	JUL 01/03	01.1

\* = REVISED, ADDED OR DELETED

71-11-31

EFFECTIVE PAGES  
CONTINUED Page 6  
01 Jul 01/03


**BOEING**  
 COMPONENT  
 MAINTENANCE MANUAL

PAGE	DATE	CODE	PAGE	DATE	CODE
ILLUSTRATED PARTS LIST		CONT.	ILLUSTRATED PARTS LIST		CONT.
*1080A	JUL 01/03	01.1	*10820	JUL 01/03	01.1
*1080B	JUL 01/03	01.1	*1082P	JUL 01/03	01.1
*1080C	JUL 01/03	01.1	*1082Q	JUL 01/03	01.1
*1080D	JUL 01/03	01.1	*1082R	JUL 01/03	01.1
*1080E	JUL 01/03	01.1	*1082S	JUL 01/03	01.1
*1080F	JUL 01/03	01.1	*1082T	JUL 01/03	01.1
*1080G	JUL 01/03	01.1	*1082U	JUL 01/03	01.1
*1080H	JUL 01/03	01.1	*1082V	JUL 01/03	01.1
*1080I	JUL 01/03	01.1	*1082W	JUL 01/03	01.1
*1080J	JUL 01/03	01.1	*1082X	JUL 01/03	01.1
*1080K	JUL 01/03	01.1	*1082Y	JUL 01/03	01.1
*1080L	JUL 01/03	01.1	*1082Z	JUL 01/03	01.1
*1080M	JUL 01/03	01.1	*1083	JUL 01/03	01.1
*1080N	JUL 01/03	01.1	*1084	JUL 01/03	01.1
*1080O	JUL 01/03	01.1	*1084A	JUL 01/03	01.1
*1080P	JUL 01/03	01.1	*1084B	JUL 01/03	01.1
*1080Q	JUL 01/03	01.1	*1084C	JUL 01/03	01.1
*1080R	JUL 01/03	01.1	*1084D	JUL 01/03	01.1
*1080S	JUL 01/03	01.1	*1084E	JUL 01/03	01.1
*1080T	JUL 01/03	01.1	*1084F	JUL 01/03	01.1
*1080U	JUL 01/03	01.1	*1084G	JUL 01/03	01.1
*1080V	JUL 01/03	01.1	*1084H	JUL 01/03	01.1
*1080W	JUL 01/03	01.1	*1084I	JUL 01/03	01.1
*1080X	JUL 01/03	01.1	*1084J	JUL 01/03	01.1
*1080Y	JUL 01/03	01.1	*1084K	JUL 01/03	01.1
*1080Z	JUL 01/03	01.1	*1084L	JUL 01/03	01.1
*1081	BLANK		*1084M	JUL 01/03	01.1
*1082	JUL 01/03	01.1	*1084N	JUL 01/03	01.1
*1082A	JUL 01/03	01.1	*1084O	JUL 01/03	01.1
*1082B	JUL 01/03	01.1	*1084P	JUL 01/03	01.1
*1082C	JUL 01/03	01.1	*1084Q	JUL 01/03	01.1
*1082D	JUL 01/03	01.1	*1084R	BLANK	
*1082E	JUL 01/03	01.1	*1084S	JUL 01/03	01.1
*1082F	JUL 01/03	01.1	*1084T	JUL 01/03	01.1
*1082G	JUL 01/03	01.1	*1084U	JUL 01/03	01.1
*1082H	JUL 01/03	01.1	*1084V	JUL 01/03	01.1
*1082I	JUL 01/03	01.1	*1084W	JUL 01/03	01.1
*1082J	JUL 01/03	01.1	*1084X	JUL 01/03	01.1
*1082K	JUL 01/03	01.1	*1084Y	JUL 01/03	01.1
*1082L	JUL 01/03	01.1	*1084Z	JUL 01/03	01.1
*1082M	JUL 01/03	01.1	*1085	JUL 01/03	01.1
*1082N	JUL 01/03	01.1	*1086	BLANK	

\* = REVISED, ADDED OR DELETED

71-11-31

EFFECTIVE PAGES  
LAST PAGE Page 7  
01 Jul 01/03



TABLE OF CONTENTS

<u>Paragraph Title</u>	<u>Page</u>
Description and Operation. . . . .	1
Testing/Trouble Shooting . . . . . * [1]	
Disassembly. . . . .	301
Cleaning . . . . .	401
Check. . . . .	501
Repair . . . . .	601
Assembly . . . . .	701
Fits and Clearances . . . . .	801
Illustrated Parts List . . . . .	1001

\* [1] Special instructions not required. Use standard industry practices.

**71-11-31**

CONTENTS

01.1

Page 1

Jul 10/86



### INTRODUCTION

The instructions in this manual provide the information necessary to perform maintenance functions ranging from simple checks and replacement to complete shop-type repair.

This manual is divided into separate sections:

- |  |                              |
|--|------------------------------|
| 1. Title Page                                      | 4. List of Effective Pages   |
| 2. Record of Revisions                             | 5. Table of Contents         |
| 3. Temporary Revision &<br>Service Bulletin Record | 6. Introduction              |
|  | 7. Procedures & IPL Sections |

Refer to the Table of Contents for the page location of applicable sections. An asterisked flagnote \*[ ] in place of the page number indicates that no special instructions are provided since the function can be performed using standard industry practices.

The beginning of the REPAIR section includes a list of the separate repairs, a list of applicable standard Boeing practices, and an explanation of the True Position Dimensioning symbols used.

An explanation of the use of the Illustrated Parts List is provided in the Introduction to that section.

All weights and measurements used in the manual are in English units, unless otherwise stated. When metric equivalents are given they will be in parentheses following the English units.

Design changes, optional parts, configuration differences and Service Bulletin modifications create alternate part numbers. These are identified in the Illustrated Parts List (IPL) by adding an alphabetical character to the basic item number. The resulting item number is called an alpha-variant. Throughout the manual, IPL basic item number references also apply to alpha-variants unless otherwise indicated.

Verification:

Testing/Ts  
Disassembly  
Assembly

**71-11-31**

INTRODUCTION

01

Page 1

Jul 10/83



FAN DUCT COWL ASSEMBLY

DESCRIPTION AND OPERATION

1. Description and Operation

A. The Fan Duct Cowl Assembly provides a pathway for bypass air from the fan, as well as a support structure for the thrust reverser. The cowl assembly is comprised of an inner wall assembly and an outer wall held together by upper and lower bifurcation installations. The outer wall is comprised of a ring assembly and a torque box installation held together by nine cascade assemblies. The cascade assemblies reverse the direction of the bypass air when the thrust reverser is activated.

2. Leading Particulars (approximate)

Diameter -- 106 inches

Width -- 66 inches

Weight -- 729 pounds (L.H. side)

758 pounds (R.H. side)

71-11-31

DESCRIPTION & OPERATION

01.1

Page 1

Jan 10/84

DISASSEMBLY

NOTE: Disassemble this component only as necessary to complete fault isolation, determine the serviceability of parts, perform required repairs, and restore the unit to serviceable condition.

1. Disassembly

A. Disassemble fan duct cowl assemblies (1 thru 15, IPL Fig. 1) as follows:

- (1) Remove bolts (37, 38, 40, 41) and cascade assemblies (44, 47, 62, 65, 92, 95, 98, 101, 128, 131, 146, 149, 164A, 179, 182).
- (2) Remove bolt (361), collar (363), and ring assemblies (753B, 756B, 922, 923).
- (3) Remove fasteners (375 thru 424) and fillet fairings (425, 426).
- (4) Remove fasteners (656 thru 666M) and fillet fairings (667, 668).
- (5) Remove fasteners (669 thru 690) and lower bifurcation assemblies (691A, 692B, 692C, 692K, 692L, 693, 693G, 693P, 693Q).
- (6) Remove fasteners (438, 441, 473, 476, 479, 520, 522, 523A, 530, 533, 536) and zone ventilation system installations (432).
- (7) Remove bolts (819, 822, 876, 879, 882, 885), collars (828, 831, 888, 891), and duct installations (813, 816).
- (8) Remove fasteners (801 thru 807) and duct assembly (810).
- (9) Remove fasteners (580B, 585, 590, 605, 610, 620, 630, 635, 640) and drain tube installation (575).
- (10) Remove fasteners (5, 10, 105, 110, IPL Fig. 6) and inlet precooler duct installation (900).

B. Note thickness of shims (75, 80, 85, IPL Fig. 3) for reference in assembly.

**71-11-31**

DISASSEMBLY

01.1

Page 301

Jul 01/03

**BOEING**  
COMPONENT  
MAINTENANCE MANUALCLEANING

CAUTION: DO NOT VAPOR DEGREASE GRAPHITE/ARAMID EPOXY STRUCTURES WITH CHLORINATED CLEANING AGENTS SUCH AS METHYLENE CHLORIDE, TRICHLOROETHYLENE, AND TRICHLOROETHANE. CHLORINATED CLEANING AGENTS WILL CAUSE DAMAGE TO GRAPHITE/ARAMID EPOXY STRUCTURES.

1,1,1-TRICHLOROETHANE IS ONE OF THE SOLVENTS ALLOWED FOR CLEANING COMPOSITE COMPONENTS. DO NOT SUBMERGE PARTS IN THE SOLVENT OR ALLOW STANDING SOLVENT ON THE PARTS OR DAMAGE MAY OCCUR. USE 1,1,1-TRICHLOROETHANE ONLY AS A WIPE SOLVENT.

1. Clean all parts using standard industry practices and information contained in 20-30-03.

**71-11-31**CLEANING  
Page 401  
Jul 10/86

01.1



CHECK

1. Check all parts for obvious defects per standard industry practices.
2. Magnetic particle check the following per 20-20-01:
  - A. Retainer (155A, IPL Fig. 2).
  - B. Retainer (277, IPL Fig. 3).
  - C. Pins (325, 355, IPL Fig. 4).
3. Penetrant check the following per 20-20-02:
  - A. Pads (747, 747A, 750, 750A, IPL Fig. 1).
  - B. Liners (20, 25, IPL Fig. 2), fittings (47A, 47B, 49A, 49B), retainers (155, 155A) and pads (297C, 297D, 298C, 298D, 330, 335, 390, 395).
  - C. Fittings (72, 72A, 74, 74A, 347, 349, IPL Fig. 3) and brackets (121, 123).
  - D. Retainer (195, IPL Fig. 4), tracks (202, 203), liners (260, 265), bolts (365, 535), fittings (432, 432A, 432B, 432C, 510, 510A, 510B, 518, 519, 876, 876A ), support (516), brackets (935, 940), door (945C), rod (965), and spring (970).
  - E. Brackets (185, 190, IPL Fig. 6).
  - F. Ring assembly (1A, 5, IPL Fig. 10), (735B, 735C, IPL Fig. 1).
4. Check honeycomb and bonded parts for evidence of delamination, internal moisture, scratches, and contour defects.
  - A. Tap surface at honeycomb or bonded structure lightly. Go over entire surface. Normal structure will produce a solid sound; delaminated areas will produce a dull, hollow sound; and areas containing moisture will produce a dull, solid sound.
  - B. Examine areas suspected of containing water radiographically to determine extent of damage.
  - C. Examine edges of panel carefully for cuts and abrasions. Delamination starts very easily from damage to an edge member of honeycomb panel.
5. Refer to 767 Structural Repair Manual, 54-30-01, for allowable damage data.
6. Refer to Fits and Clearances section for service wear limits.

**71-11-31**

CHECK

01.1

Page 501

Jul 01/03

7. Spring Check

A. Check that spring (970, IPL Fig. 4) meets the following requirements:

- (1) Free length is 3.31–3.37 inches.
- (2) Maximum check load at 1.85 inch compressed length is 7.2–8.8 pounds.
- (3) Minimum check load at 2.8 inch compressed length is 2.61–3.19 pounds.

71-11-31

CHECK  
01.101 Page 502  
Jul 10/86

REPAIR GENERAL1. Content

- A. Repair, refinish, and replacement procedures, as applicable, are included in separate repair sections as follows:

<u>P/N</u>	<u>NAME</u>	<u>REPAIR</u>
315T3013	LINK ASSY	DELETED
315T3204	RING ASSY	2-1
315T3303	FITTING ASSY	3-1
315T3308	ATTACH ASSY	4-1
315T3202	TORQUE BOX INSTL	5-1
315T3634	FITTING ASSY	6-1
315T3730	FITTING ASSY	7-1
315T3314	FITTING ASSY	8-1
315T3413	FITTING ASSY	9-1
315T3422	ZEE ASSY	10-1
--	MISCELLANEOUS PARTS	11-1
--	CASCADE ASSY	12-1
315T3002	FAN DUCT COWL ASSY	13-1
315T3554	COWL CATCH	14-1

2. Standard Practices

- A. Refer to the following standard practices, as applicable, for details of procedures in Repairs 1-1 thru 14-1.

71-11-31

REPAIR-GENERAL

01.1

Page 601

Sep 01/95

20-30-02 Stripping of Protective Finishes  
20-30-03 General Cleaning Procedures  
20-41-01 Decoding Table for Boeing Finish Codes  
20-41-02 Application of Chemical and Solvent Resistant Finishes  
20-42-05 Bright Cadmium Plating  
20-42-09 Electrodeposited Nickel Plating  
20-43-01 Chromic Acid Anodize  
20-43-02 Anodizing of Magnesium Alloys (DOW 17)  
20-44-01 Application of Abrasion Resistant Finishes.  
20-50-03 Bearing Installation and Retention  
20-50-08 Application of Dry Lubricant

### 3. Materials

NOTE: Equivalent substitutes may be used.

- A. Coating, Ablative -- MA25S (Ref 20-60-04)
- B. Conditioner, Static -- Dexter 28-C-1 (Ref 20-60-02)
- C. Enamel -- BMS 10-60, type 2, BAC707 gray gloss (Ref 20-60-02)  
-- BMS 10-60, type 2, gloss (Ref 20-60-02)
- D. Lubricant, Dry Film -- BMS 3-8, class A (Ref 20-60-03)
- E. Paint, Teflon Filled -- BMS 10-86, type 1, white (Ref 20-60-02)
- F. Plating Nickel -- BMS 10-36, type 2 (Ref 20-60-02)
- G. Primer -- BMS 10-11, type 1 (Ref 20-60-02)  
-- BMS 10-79, type 2 (Ref 20-60-02)  
-- DeSoto high temperature polyurethane (Ref 20-60-02)
- H. Sealant -- BMS 5-26 (Ref 20-60-04)
- I. Sufacer -- Dexter 8-W-5 (Ref 20-60-02)

**71-11-31**

REPAIR-GENERAL

01

Page 602

Jul 10/83

**4. Dimensioning Symbols**

- A. Standard True Position Dimensioning Symbol used in applicable repair procedures are shown in Fig. 601.

**71-11-31**

REPAIR-GENERAL

01.1

Page 603

Jun 01/95

—	STRAIGHTNESS	⊕	THEORETICAL EXACT POSITION OF A FEATURE (TRUE POSITION)
▭	FLATNESS	∅	DIAMETER
⊥	PERPENDICULARITY (OR SQUARENESS)	S ∅	SPHERICAL DIAMETER
//	PARALLELISM	R	RADIUS
○	ROUNDNESS	SR	SPHERICAL RADIUS
⊙	CYLINDRICITY	( )	REFERENCE
⌒	PROFILE OF A LINE	BASIC (BSC) OR	A THEORETICALLY EXACT DIMENSION USED TO DESCRIBE SIZE, SHAPE OR LOCATION OF A FEATURE FROM WHICH PERMISSIBLE VARIATIONS ARE ESTABLISHED BY TOLERANCES ON OTHER DIMENSIONS OR NOTES.
△	PROFILE OF A SURFACE	<b>DIM</b>	
◎	CONCENTRICITY	<b>-A-</b>	DATUM
≡	SYMMETRY	Ⓜ	MAXIMUM MATERIAL CONDITION (MMC)
∠	ANGULARITY	Ⓛ	LEAST MATERIAL CONDITION (LMC)
↗	RUNOUT	Ⓢ	REGARDLESS OF FEATURE SIZE (RFS)
↗↗	TOTAL RUNOUT	Ⓟ	PROJECTED TOLERANCE ZONE
⊐	COUNTERBORE OR SPOTFACE	FIM	FULL INDICATOR MOVEMENT
∇	COUNTERSINK		

**EXAMPLES**

<b>—</b> 0.002	STRAIGHT WITHIN 0.002	◎ ∅ 0.0005 C	CONCENTRIC TO C WITHIN 0.0005 DIAMETER
⊥ 0.002 B	PERPENDICULAR TO B WITHIN 0.002	≡ 0.010 A	SYMMETRICAL WITH A WITHIN 0.010
// 0.002 A	PARALLEL TO A WITHIN 0.002	∠ 0.005 A	ANGULAR TOLERANCE 0.005 WITH A
○ 0.002	ROUND WITHIN 0.002	⊕ ∅ 0.002 Ⓢ B	LOCATED AT TRUE POSITION WITHIN 0.002 DIA RELATIVE TO DATUM B, REGARDLESS OF FEATURE SIZE
⊙ 0.010	CYLINDRICAL SURFACE MUST LIE BETWEEN TWO CONCENTRIC CYLINDERS, ONE OF WHICH HAS A RADIUS 0.010 INCH GREATER THAN THE OTHER	⊥ ∅ 0.010 Ⓜ A 0.510 Ⓟ	AXIS IS TOTALLY WITHIN A CYLINDER OF 0.010-INCH DIAMETER, PERPENDICULAR TO, AND EXTENDING 0.510-INCH ABOVE, DATUM A, MAXIMUM MATERIAL CONDITION
⌒ 0.006 A	EACH LINE ELEMENT OF THE SURFACE AT ANY CROSS SECTION MUST LIE BETWEEN TWO PROFILE BOUNDARIES 0.006 INCH APART RELATIVE TO DATUM PLANE A	2.000	THEORETICALLY EXACT DIMENSION IS 2.000
▭ 0.020 A	SURFACES MUST LIE WITHIN PARALLEL BOUNDARIES 0.02 INCH APART AND EQUALLY DISPOSED ABOUT TRUE PROFILE	OR 2.000 BSC	
<b>NOTE:</b> DATUM MAY APPEAR AT EITHER SIDE OF TOLERANCE FRAME		0.020 A A 0.020	

True Position Dimensioning Symbols  
 Figure 601

**71-11-31**

REPAIR-GENERAL

01.1

Page 604

Jun 01/95

RING ASSEMBLY – REPAIR 2-1

315T3204-5 thru -8, -21, -22

**NOTE:** Refer to REPAIR – GENERAL for a list of applicable standard practices.

1. Bushing (762) Replacement (IPL Fig. 1)

A. Remove rivet (759) and bushing.

B. Install bushing (762).

**NOTE:** Install bushing (762) with "FWD" marking in the forward direction.

C. Install rivets.

2. Refinish

A. Ring Assembly (735B, 735C, IPL Fig. 1; 1A, 5, IPL Fig. 10) -- Chromic acid anodize, Type 1 and apply one coat BMS 10-11, Type 1 primer (F-18.13) all over. Material: Aluminum Alloy.

**71-11-31**

REPAIR 2-1

01.1

Page 601

Jul 01/03



FITTING ASSEMBLY - REPAIR 3-1

315T3303-9, -10, -13, -14, -17, -18

NOTE: Refer to REPAIR-GEN for list of applicable standard practices.

1. Bushing (40, 45) Replacement (IPL Fig. 2)

- A. Remove bushings.
- B. Install bushings per 20-50-03.
- C. Machine bushings per Fig. 601
- D. Fillet seal entire periphery of bushing flanges using BMS 5-26 sealant.

2. Refinish

- A. Fittings (47A, 49A) -- Chromic acid anodize, type 1 or sulfuric acid anodize, type 2 (F-17.05), and apply one coat BMS 10-11, type 3 primer (F-19.47), all over. Material: Aluminum alloy.

71-11-31

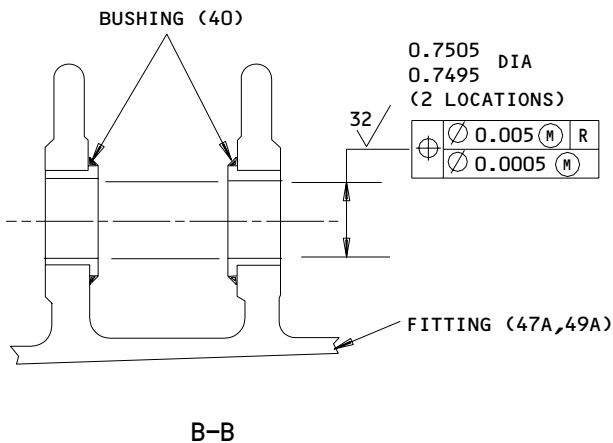
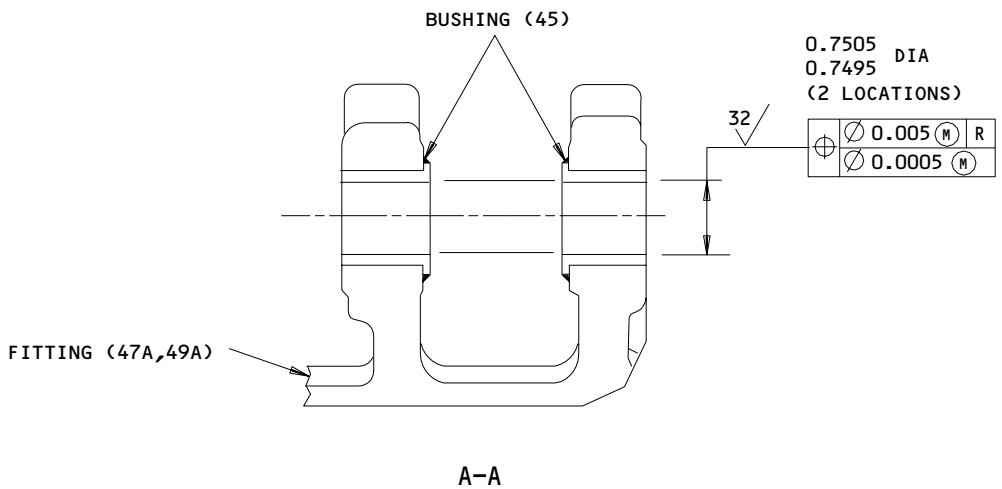
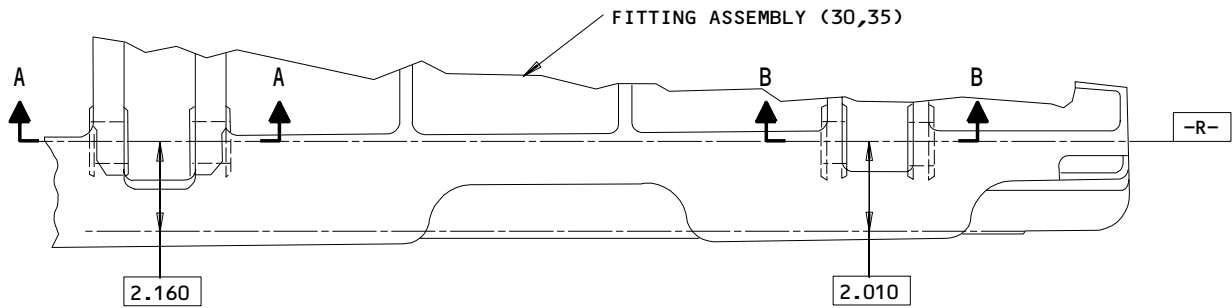
REPAIR 3-1

01.1

Page 601

Sep 01/95





ITEM NUMBERS REFER TO IPL FIG. 2  
 ALL DIMENSIONS ARE IN INCHES

315T3303-9,-10,-13,-14,-17,-18

**Bushing Replacement  
 Figure 601**

**71-11-31**

REPAIR 3-1

Page 602

Sep 01/95

01.1

ATTACH ASSEMBLY - REPAIR 4-1

315T3308-25, -26, -33, -34

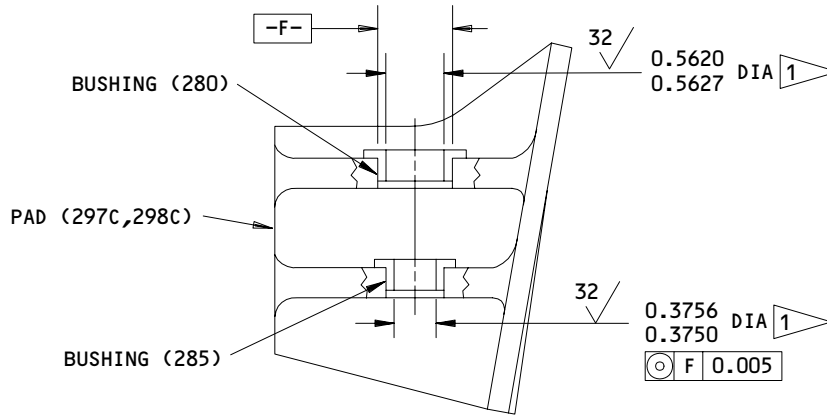
NOTE: Refer to REPAIR-GEN for list of applicable standard practices.

1. Bushing (280, 285) Replacement (IPL Fig. 2)

- A. Remove bushings.
- B. Install bushings per 20-50-03.
- C. Machine bushings per Fig. 601.
- D. Fillet seal entire periphery of bushing flanges using BMS 5-26 sealant.

2. Refinish

- A. Pads (297C, 298C) -- Chromic acid anodize, type 1 and apply one coat BMS 10-11, type 1 primer (F-18.13), all over. Material: Aluminum alloy.



1 CHAMFER BOTH ENDS 0.005 - 0.015 X 45 DEGREES

ITEM NUMBERS REFER TO IPL FIG. 2

ALL DIMENSIONS ARE IN INCHES

315T3308-25,-26,-33,-34

Bushing Replacement  
 Figure 601

59476

**71-11-31**

REPAIR 4-1

01.1

Page 601

Sep 01/95

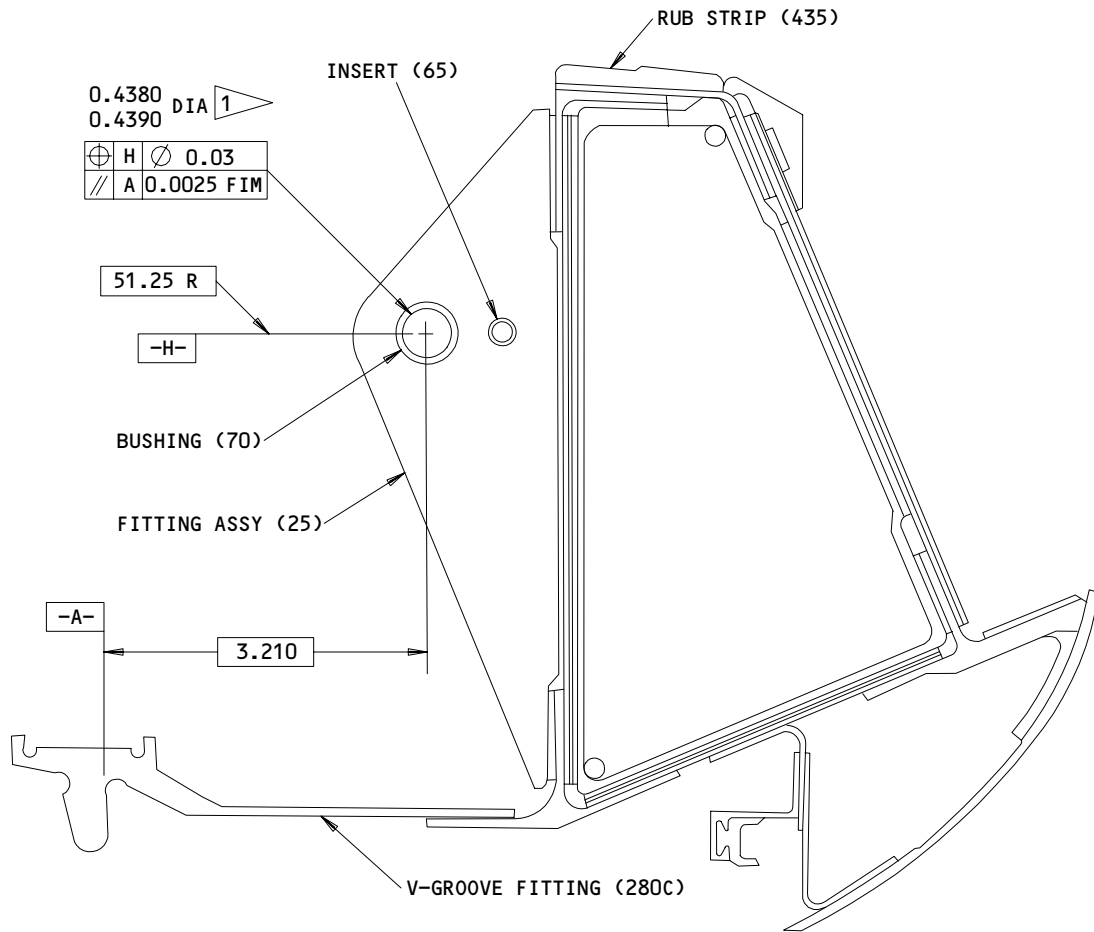
TORQUE BOX INSTALLATION – REPAIR 5-1

315T3202-73, -74

**NOTE:** Refer to REPAIR-GEN for list of applicable standard practices.

1. Machining of Bushings (70) (IPL Fig. 3)

A. Machine bushings per Fig. 601.



1 LINE REAM THRU FITTING ASSYS (20,25)

ITEM NUMBERS REFER TO IPL FIG. 3

ALL DIMENSIONS ARE IN INCHES

315T3202-73,-74  
 Machining of Bushing  
 Figure 601

FITTING ASSEMBLY - REPAIR 6-1

315T3634-1, -2, -10, -11

NOTE: Refer to REPAIR-GEN for list of applicable standard practices.

1. Bushing (70) Replacement (IPL Fig. 3)

- A. Remove bushing.
- B. Install bushing per 20-50-03.
- C. Fillet seal entire periphery of bushing flange using BMS 5-26 sealant.

NOTE: Machining of bushing is covered in Repair 5-1.

2. Insert (65) Replacement

- A. Remove insert
- B. Apply BMS 10-11, type 1 primer to insert and install 3/4 to 1 1/2 turns below surface and break off tangs.

3. Refinish

- A. Fittings (72, 72A, 74, 74A) -- Chromic acid anodize, type 1 and apply one coat BMS 10-11, type 1 primer (F-18.13). Omit primer from holes for bushings and insert. Material: Aluminum alloy.

**71-11-31**

REPAIR 6-1

01.1

Page 601

Jul 10/86



FITTING ASSEMBLY – REPAIR 7-1

315T3730-2, -7

NOTE: Refer to REPAIR-GEN for list of applicable standard practices

1. Bushing (109, 111) Replacement (IPL Fig. 3)

- A. Remove bushings.
- B. Install bushings per 20-50-03.
- C. Machine bushings per Fig. 601.
- D. Fillet seal entire periphery of bushing flanges using BMS 5-26 sealant.

2. Refinish

- A. Brackets (121, 123) -- Chromic acid anodize, type 1 or sulfuric acid anodize, type 2 (F-17.05), and apply one coat BMS 10-11, type 1 primer (F-20.02), all over. Material: Aluminum alloy.

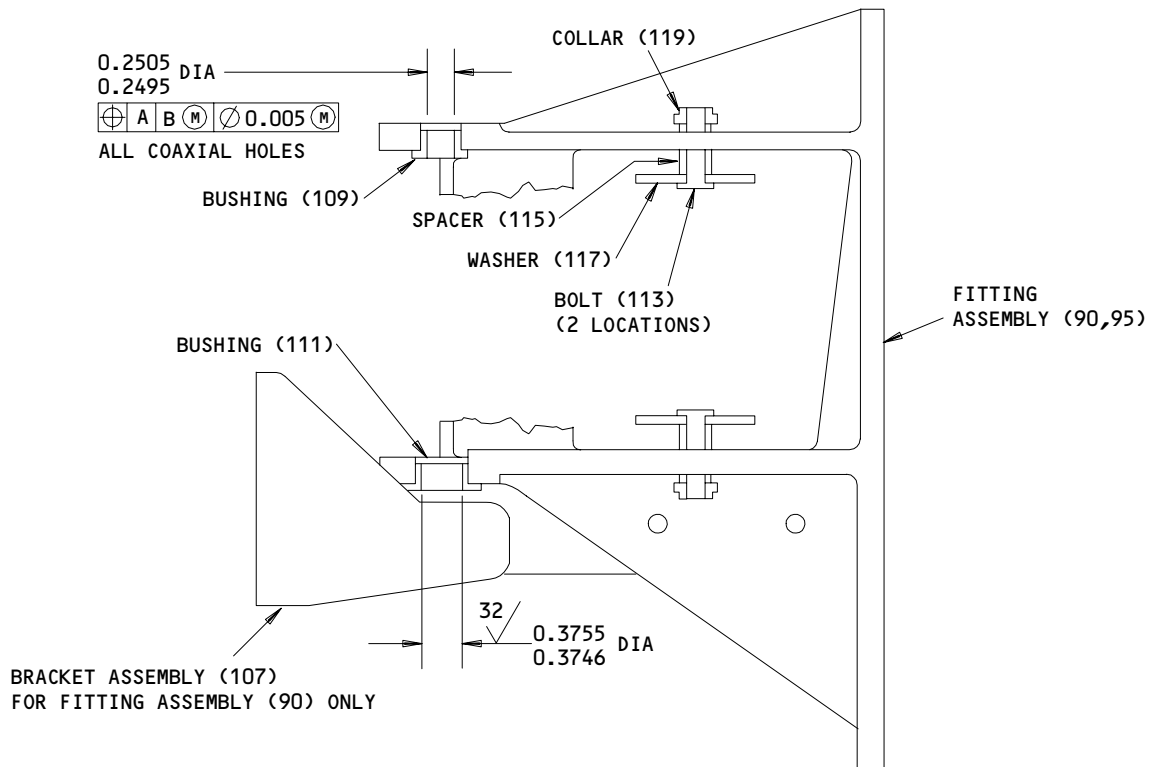
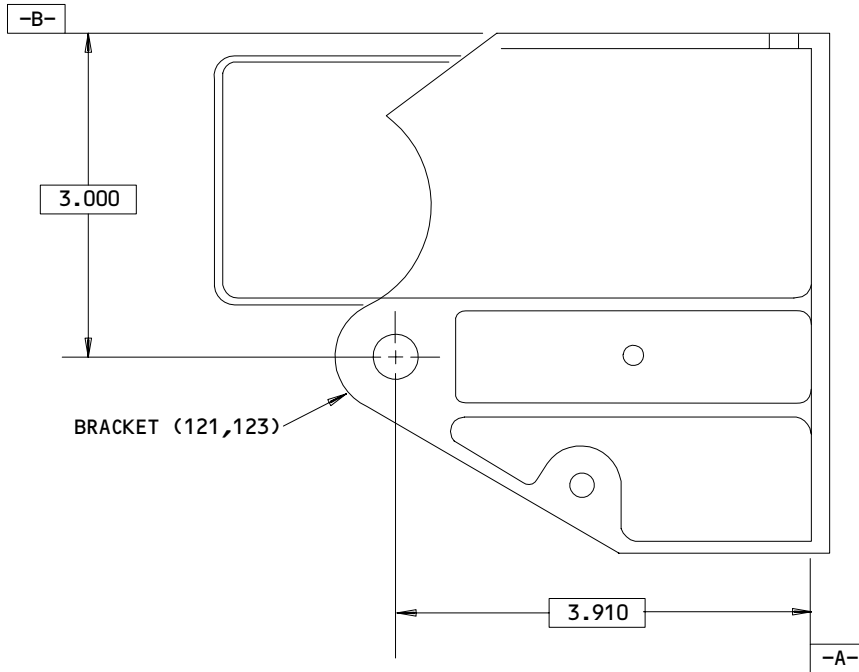
71-11-31

REPAIR 7-1

01

Page 601

Jul 10/83



ITEM NUMBERS REFER TO IPL FIG. 3  
 ALL DIMENSIONS ARE IN INCHES

315T3730-2,-7  
 Bushing Replacement  
 Figure 601

**71-11-31**

REPAIR 7-1

Page 602

Sep 01/95

01.1

FITTING ASSEMBLY – REPAIR 8-1

315T3314-7, -8

NOTE: Refer to REPAIR-GEN for list of applicable standard practices.

1. Bushing (345) Replacement (IPL Fig. 3)

- A. Remove bushings.
- B. Install bushings per 20-50-03.
- C. Machine bushings per Fig. 601.
- D. Fillet seal entire periphery of bushing flanges using BMS 5-26 sealant.

| 2. Repair

## | A. Repair hole for bushing (345)

- | (1) Machine fitting (347, 349) as required to remove discrepancies, per Fig. 601 repair limit.
- | (2) Penetrant check per 20-20-02.
- | (3) Refinish per 3.A.
- | (4) Fabricate oversize bushing per Fig. 602.
- | (5) Install bushing per 1.B thru 1.D.

| 3. Refinish

- | A. Fittings (347, 349, IPL Fig. 3) -- Chromic acid anodize, type 1 or sulfuric acid anodize, type 2 (F-17.05), and apply one coat BMS 10-11, type 1 primer (F-20.02) all over. Material: Aluminum alloy.

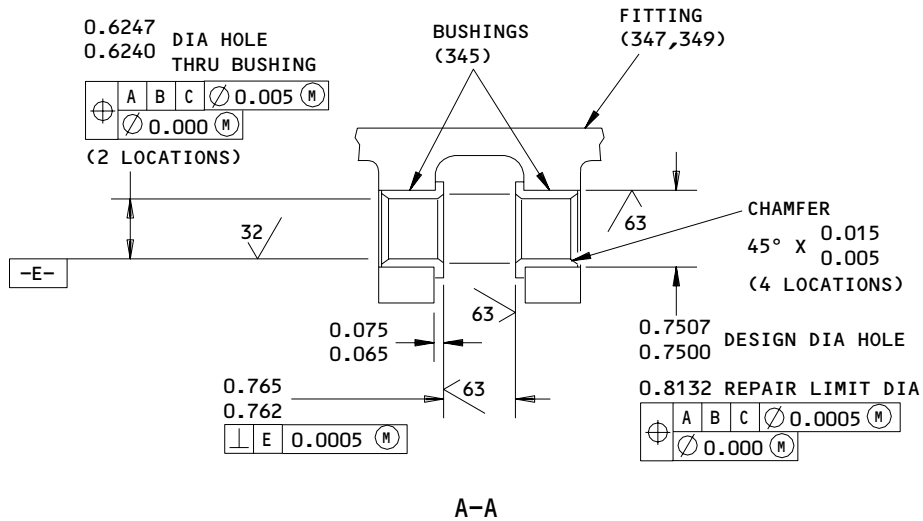
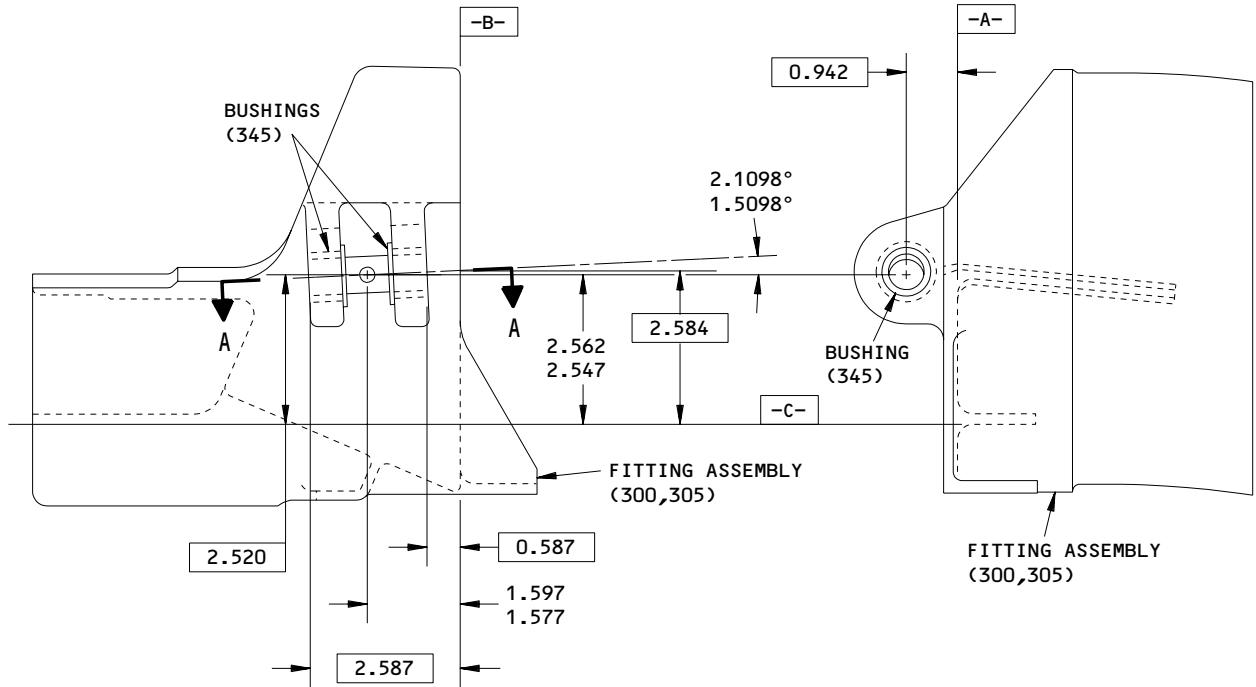
**71-11-31**

REPAIR 8-1

01.1

Page 601

Dec 01/95



MATERIAL: ALUMINUM ALLOY

125/ ALL MACHINED SURFACES UNLESS SHOWN DIFFERENTLY

ITEM NUMBERS REFER TO IPL FIG. 3

ALL DIMENSIONS ARE IN INCHES

315T3314-7,-8  
 Bushing Replacement  
 Figure 601

**71-11-31**

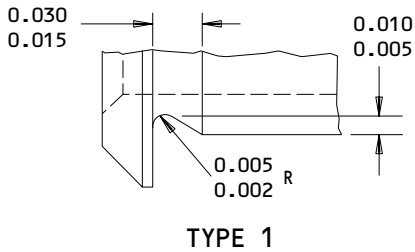
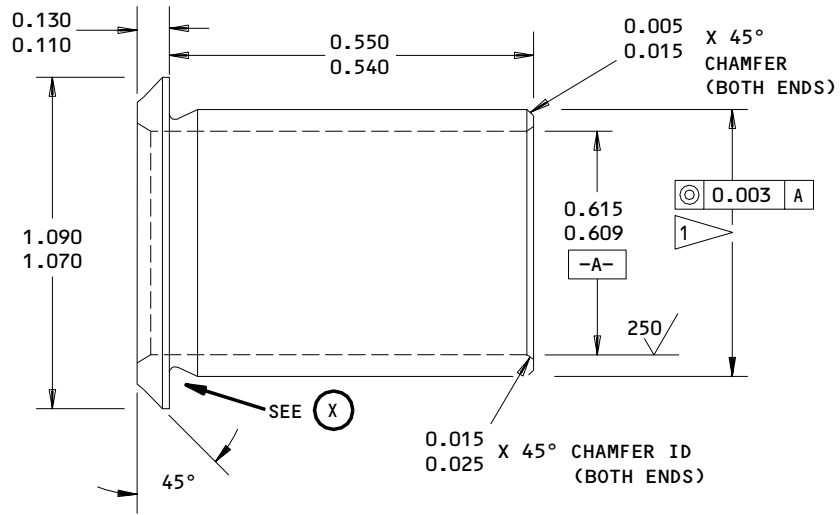
REPAIR 8-1

01.1

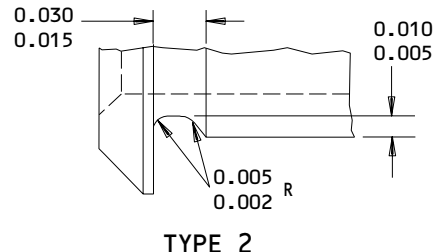
Page 602

Dec 01/95





TYPE 1



TYPE 2

UNDERCUT TYPE 1 OR TYPE 2 OPTIONAL



1 FINAL BUSHING OUTSIDE DIA EQUALS REPAIR DIA OF FITTING PLUS 0.0005-0.0019 INTERFERENCE

63 ALL MACHINED SURFACES UNLESS SHOWN DIFFERENTLY

ANGULAR TOLERANCE, ±0.50 DEG

MATERIAL: 15-5PH CRES, HT TR (180-200 KSI)

FINISH: CADMIUM PLATE PER 20-42-05, TYPE 2, CLASS 3.

DIMENSIONS APPLY AFTER PLATING

ALL DIMENSIONS ARE IN INCHES

BUSHING REPLACEMENT FOR BUSHING (345, IPL FIG. 3)  
 Oversize Bushing Details  
 Figure 602

**71-11-31**

REPAIR 8-1

01.1

Page 603

Dec 01/95

FITTING ASSEMBLY – REPAIR 9-1

315T3413-1, -17

NOTE: Refer to REPAIR-GEN for list of applicable standard practices.

**1. Bushing (475, 480) Replacement** (IPL Fig. 4)

- A. Remove bushings.
- B. Install bushings per 20-50-03.
- C. Machine bushings per Fig. 601.
- D. Fillet seal entire periphery of bushing flanges using BMS 5-26 sealant.

**2. Bushing (485, 490) Replacement**

- A. Remove bushings.
- B. Install bushing per 20-50-03.

**3. Refinish**

- A. Fittings (510, 518, 519) -- Chromic acid anodize, type 1 or sulfuric acid anodize, type 2 (F-17.05), and apply one coat BMS 10-11, type 1 primer (F-20.02). Omit primer from holes for bushings. Material: Aluminum alloy.
- B. Support (516) -- Chromic acid anodize, type 1 and apply one coat BMS 10-11, type 1 primer (F-18.13), all over. Material: Aluminum alloy.

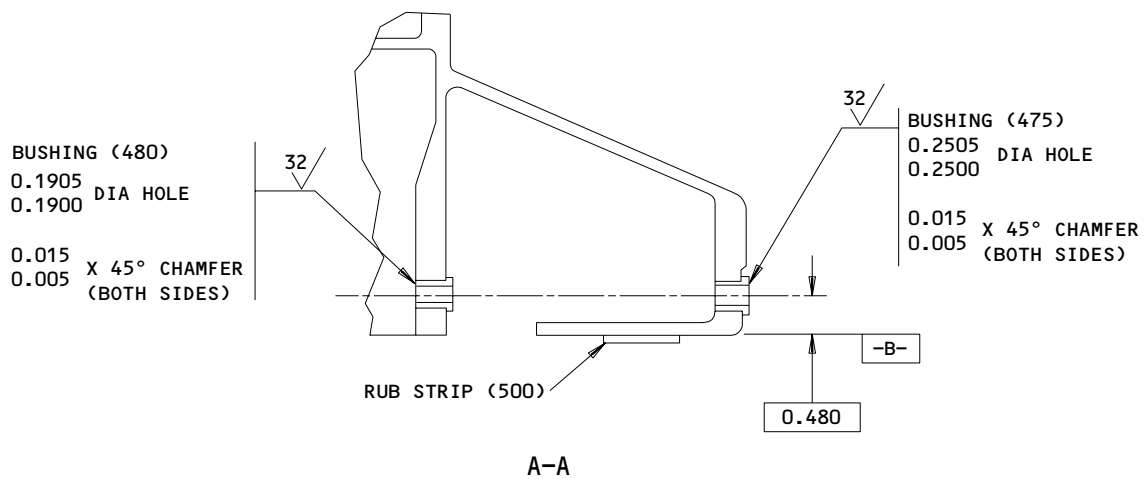
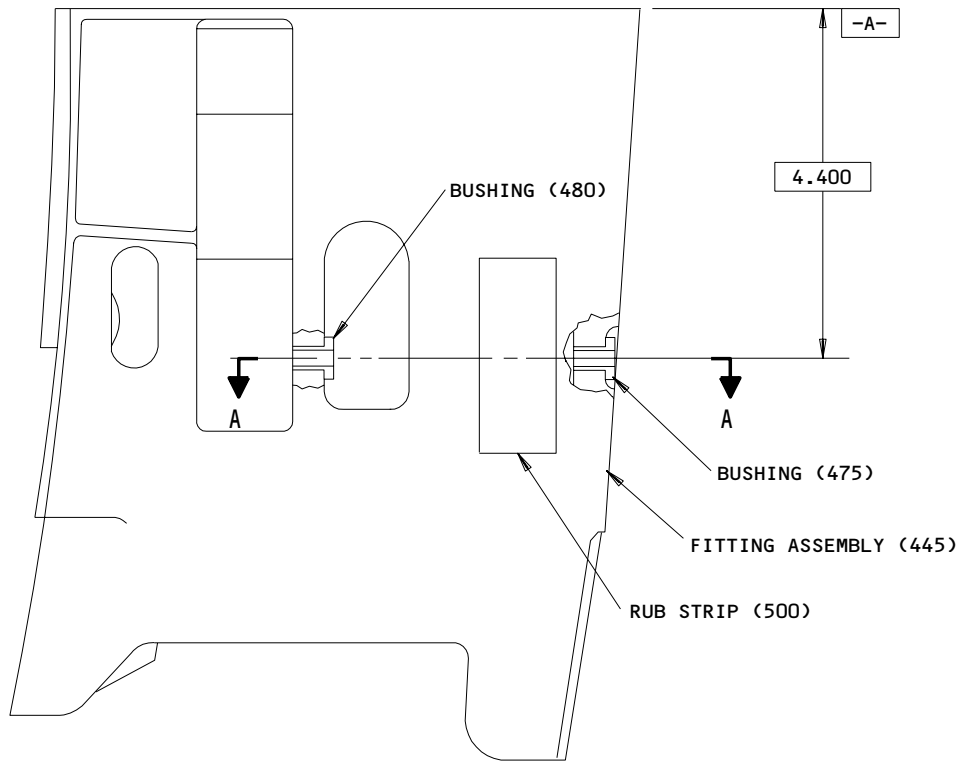
**71-11-31**

REPAIR 9-1

01.1

Page 601

Sep 01/95



ITEM NUMBERS REFER TO IPL FIG. 4  
 ALL DIMENSIONS ARE IN INCHES

315T3413-1,-17

Bushing Replacement  
 Figure 601

**71-11-31**

REPAIR 9-1

01.1

Page 602

Sep 01/95

ZEE ASSEMBLY – REPAIR 10-1

315T3422-7, -11

NOTE: Refer to REPAIR-GEN for list of applicable standard practices.

1. Bushing Assembly (690) Replacement (IPL Fig. 4)

- A. Remove bolt (695) and bushing assembly.
- B. Install bushing assembly per 20-50-03.
- C. Install bolt.

2. Refinish

- A. Zees (687, 687A) -- Chromic acid anodize, type 1 and apply one coat BMS 10-11, type 1 primer (F-18.13) all over. Material: Aluminum alloy.

**71-11-31**

REPAIR 10-1

01.1

Page 601

Jul 10/86

MISCELLANEOUS PARTS - REPAIR 11-1

NOTE: Refer to REPAIR-GEN for list of applicable standard practices.

1. Repair of parts in Fig. 601 consists of restoration of original finish.

IPL FIG. & ITEM	MATERIAL	FINISH
<u>Fig. 1</u>  Fan Duct Cowl Assys (-1,-1G,-1R,-1V,-5, -10,-15,-15G,-15R, -15V)		Refinish exterior surface and edges per operators standard color scheme using BMS 10-11, type 2 enamel.
Cascade (60,61,90, 91,124,125,126,127, 144,145)	Magnesium alloy	Dow 17 anodize using the no dimensional loss procedure for Dow finish. Apply two coats of BMS 10-11, type 1 primer per 20-41-02 (F-20.03) except in fastener holes apply one coat BMS 10- 11, type 1 primer per 20-41-02 (F-20.02).  Prepare surface and apply BMS 10-86, type 1, color white per 20-44-01, 20-50-05, type 27 (SRF-14.9624) to designated surface entire length of cascade. No alternate finish per- mitted (Fig. 602).
Cascade (60A,61B, 90A,91A,162A,163A, 177B,195A,196A)	Magnesium alloy	Apply Dow 17 per 20-43-02 except use hot (190-212°F) chromic acid de- oxidizer solution 9 for 10 to 15 min- utes. Use a dwell time of 10 minutes at 80 volts. Oven bake at 180°F for 1/2 hour minimum (optional to oven bake at 120°F for 4 hours minimum). Apply two coats BMS 10-11, type 1, primer per 20-41-02 (F-20.03) except in fastener holes apply one coat BMS 10-11, type 1, primer per 20-41-02 (F-20.02). No alternate finish permitted.

Refinish Details  
 Figure 601 (Sheet 1)

# 71-11-31

REPAIR 11-1

01.1

Page 601

Sep 01/95

IPL FIG. & ITEM	MATERIAL	FINISH
Cascade (60B,61C, 90B,90C,90D,91B, 91C,91D,124A,124B, 124C,125A,125B, 125C,126A,126B, 126C,127A,127B, 127C,144A,144B, 145A,145B,162,162B, 162C,163,163B,163C, 177A,177C,195,195B, 195C,196,196B,196C)	Magnesium alloy	Dow 17 anodize using the no dimensional loss procedure for Dow finish. Apply two coats of BMS 10-11, type 1 primer per 20-41-02 (F-20.03) except in fastener holes apply one coat of BMS 10-11, type 1 primer per 20-41-02 (F-20.02).
Fairings (425,425A, 426,426A,667,668), Strap (720), Rub-strips (918A,918G, 918N,921A,921G, 921N)	Aluminum alloy	Chemically treat (colored film) and apply one coat BMS-10-11, type 1 primer (F-18.06) all over.
Duct Assys (510B, 510C,510D), Pad Fittings (747,747A, 750,750A)	Aluminum alloy	Chromic acid anodize, type 1 and apply one coat BMS 10-11, type 1 primer (F-18.13) all over.
Brackets (560,562)	Inconel 625	Apply two coats BMS 10-11, type 1 primer (F-20.03) all over.
Plates (714,717)	15-5 PH CRES 150-170 KS1	Cadmium plate, type 2, class 2, and apply one coat BMS 10-11, type 1 primer (F-16.01) all over.

Refinish Details  
Figure 601 (Sheet 2)

**71-11-31**

REPAIR 11-1

01.1

Page 602

Sep 01/95


**BOEING**  
 COMPONENT  
 MAINTENANCE MANUAL

IPL FIG. & ITEM	MATERIAL	FINISH
Duct Assy (810)	Aluminum alloy	See Fig. 603.
Wall Assys (903, 903A, 903B, 906, 906A)		Manually apply colored chemical coating by brush, swab, or spray (F-17.10) and apply one coat BMS 10-11 type 1 primer (F-20.02) to exposed rivet heads common to rubstrips (918,921). Prepare surface and apply BMS 10-86, type 1 white per 20-44-01, type 27 (SRF-14.9624) to outer surfaces of rubstrips (918,921). Apply BMS 3-8 as indicated by Fig. 604.
<u>Fig. 2</u>		
Liners (20,25)	17-7 PH CRES 180-200 KS1	Nickel plate inside surface 0.003-0.005 inch thick per BMS 10-36 type II. On outside surface only cadmium plate, type 2, class 2 (0.0003-0.0010 inch) and apply one coat BMS 10-11, type 1 primer (F-16.01).
Fillers (85,90,100, 115,120), Pads (330,335,390,395)	Aluminum alloy	Chromic acid anodize, type 1 and apply one coat BMS 10-11, type 1 primer (F-18.13) all over.
Retainer (155)	Aluminum alloy	Chromic acid anodize, type 1 (F-17.04) and apply two coats BMS 10-11, type 1 primer (F-20.03). Primer not required in holes.
Pin (170)	15-5 PH CRES 150-170 KS1	Cadmium plate, type 2, class 2, and apply one coat BMS 10-11, type 1 primer (F-16.01). Primer and plating not required in threaded hole.

Refinish Details  
 Figure 601 (Sheet 3)

# 71-11-31

REPAIR 11-1

01.1

Page 603

Sep 01/95

IPL FIG. & ITEM	MATERIAL	FINISH
Liners (180,185)		See Fig. 605.
Bracket (218)	Inconel 625	Apply two coats BMS 10-11, type 1 primer (F-20.03) all over.
<u>Fig. 3</u>		
Torque Box Instl (10A thru 10H,10J, 15A thru 15H,15J)		See Fig. 606.
Bracket Assys (107, 125,130,185A,185B, 190A,190B), Bracket (367), Support (405)	Aluminum alloy	Chemically treat (colored film) and apply BMS 10-11, type 1 primer (F-18.06) all over.
Fillers (160,165), Stiffener (182)	Aluminum alloy	Chromic acid anodize, type 1 and apply one coat BMS 10-11, type 1 primer (F-18.13) all over.
Retainer (277)	15-5 PH CRES 150-170 KS1	Cadmium plate, type 2, class 2, and apply one coat BMS 10-11, type 1 primer (F-16.01). Omit primer in hole for insert (275).
Strips (410,410A, 415,415A)	Aluminum alloy	Chemically treat all surfaces (colored film)(F-17.07). Apply one coat BMS 10-79, type 2 primer (F-19.46) all over. Apply BMS 10-60, type 2 enamel per airline standard color scheme (F-19.39-XXX) all over.

Refinish Details  
Figure 601 (Sheet 4)

**71-11-31**

REPAIR 11-1

01.1

Page 604

Sep 01/95





IPL FIG. & ITEM	MATERIAL	FINISH
Pin (325)		See Fig. 607.
Pin (355)	15-5 PH CRES 150-170 KS1	Cadmium plate, type 2, class 2 (F-15.06). Omit plating from threads.
Bolts (365,535)	A286 CRES	Cadmium plate, type 2, class 2 (F-15.06) all over.
Fittings (432,432A, 432C)	Aluminum alloy	Chromic acid anodize, type 1 or sulfuric acid anodize type 2 (F-17.05). Apply one coat BMS 10-11, type 1 primer (F-20.02) all over.
Strips (725,785)		See Fig. 608.
Latch Keepers (755D,770A), Doubler (890)	15-5 PH CRES 150-170 KS1	Prepare surface and passivate, type 2 (F-17.09).
Cover (806B)	Aluminum alloy	Chemically treat all surfaces (colored film) (F-17.07). Apply one coat BMS 10-79, type 2 primer (F-19.46) all over. Apply one coat BMS 10-60, type 2 enamel per airline standard color scheme (F-19.39-XXX) all over.
Brackets (935,940)	Inconel 625	Apply one coat BMS 10-11, type 1 primer (F-20.02) all over.
Door (945C)		See Fig. 609.
Rod (965)		See Fig. 610.
Spring (970)	302 steel wire	Prepare surface and passivate, type 2 (F-17.09).
Filler (975)	Aluminum alloy	Chemically treat (colored film) and apply two coats BMS 10-11, type 1 primer (F-18.03) all over.
Handle Assy (980)		Apply one coat BMS 10-11, type 1 primer (F-20.02). Apply one coat BMS 10-11, type 2 enamel, BAC101 red (SRF-14.905-101) all over.

Refinish Details  
 Figure 601 (Sheet 6)

# 71-11-31

REPAIR 11-1

01.1

Page 606

Sep 01/95


**BOEING**  
 COMPONENT  
 MAINTENANCE MANUAL

IPL FIG & ITEM	MATERIAL	FINISH
<u>Fig. 5</u>		
Retainers (75,80)	Aluminum alloy	Chemically treat (colored film) and apply one coat BMS 10-11, type 1 primer (F-18.06) all over.
Brackets (135A, 135B,140A,140B)	Aluminum alloy	Chemically treat all surfaces (colored film) (F-17.07). Apply Desoto high temperature polyurethane primer (F-19.43). No finish on area having seal vulcanized to it.
<u>Fig. 6</u>		
Strip (20), Shim (45)	Aluminum alloy	Chromic acid anodize, type 1 and apply one coat BMS 10-11, type 1 primer (F-18.13) all over.
Strips (30,40,50, 60,70,75,85), Moldings (90,95)	Aluminum alloy	Chemically treat (colored film) and apply one coat BMS 10-11, type 1 primer (F-18.06) all over.
Duct Assy (140)		See Fig. 611.
Spacers (220,225)	Aluminum alloy	Chromic acid anodize, type 1 (F-17.04). Apply two coats BMS 10-11, type 1 primer (F-20.03) all over.
Bond Assy (215)		See Fig. 612.
<u>Fig. 8</u>		
Support Assys (75, 80,125,125B,130, 130B), Bracket Assy (100), Fairing Assys (220,220A, 225,225A,255C,255D, 255E,260,260C,260D)		Apply two coats BMS 10-11, type 1 primer (F-20.03). Omit primer from threads of nutplates.

Refinish Details  
 Figure 601 (Sheet 7)

**71-11-31**

REPAIR 11-1

01.1

Page 607

Sep 01/95

IPL FIG & ITEM	MATERIAL	FINISH
Retainers (235, 235A, 240, 240A, 270, 270A, 275, 275A, 280, 280A, 285, 285A, 290, 290A, 310, 310A, 315, 315A, 320, 320A, 325, 325A, 335, 335A, 340, 340A, 350, 350A, 355, 355A, 360, 360A, 365, 365A)	301 CRES	Prepare surface and passivate (F-17.09) all over.
Fairings (245, 250, 370, 375, 380, 380A, 385, 385A)	Inconel 625	Prepare surface and passivate (F-17.09) all over.
<u>Fig. 9</u>		
Retainer-Liner (140)	Aluminum alloy	Chromic acid anodize, type 1 (F-17.04) and apply two coats BMS 10-11, type 1 primer per 20-41-02 (F-20.03). Primer not required in hole.
Pin (140B)	15-5 PH CRES 150-170 KSI	Cad plate type 2, class 2, and apply one coat of BMS 10-11, type 1 primer per 20-41-02 (F-16.01). Cad plate and primer not required in threaded hole.
Liner (155A)	17-7 PH CRES 150-170 KSI	Nickel plate inner diameter surface 0.003-0.005 thick. Passivate per 20-30-03. Cad plate type 2, class 2, 0.0010 maximum thickness, and apply one coat of BMS 10-11, type 1 primer per 20-41-02 (F-16.01) to outer diameter surface only.
Track (160)	Aluminum alloy	Chromic acid anodize, type 1, and apply one coat of BMS 10-11, type 1 primer per 20-41-02 (F-18.13).

Refinish Details  
 Figure 601 (Sheet 8)

# 71-11-31

REPAIR 11-1

01.1

Page 608

Sep 01/95


**BOEING**  
 COMPONENT  
 MAINTENANCE MANUAL

IPL FIG & ITEM	MATERIAL	FINISH
Liner (205)	17-7 PH CRES 180-200 KSI	Nickel plate inside surface 0.003-0.005 thick. Passivate per 20-30-03. Cad plate type 2, class 2, 0.0003-0.0010 thickness, and apply one coat of BMS 10-11, type 1 primer per 20-41-02 (F-16.01) to outside surface only.
Forward Shear Pin (240)	15-5 PH CRES 150-170 KSI	Cad plate type 2, class 2 and apply one coat of BMS 10-11, type 1 primer per 20-41-02 (F-16.01). Omit primer from threads - plating not required in holes.
Shear Pin (270)	15-5 PH 150-170 KSI	Cad plate type 2, class 2, per 20-42-05 (F-15.06). Plating not required in hole.
Fittings (330,330A, 330C)	Aluminum alloy	Anodize type 1, chromic acid or type 2, sulfuric acid (F-17.05). Apply one coat of BMS 10-11, type 1 primer per 20-41-02 (F-20.02).
Fitting (330B)	Aluminum alloy	Chromic acid anodize, type 1, and apply one coat of BMS 10-11, type 1 primer per 20-41-02 (F-18.13).
Fairing Strip (540)	Aluminum alloy	Chromic acid anodize, type 1 (F-17.04).
Latch Keeper (600)	17-7 PH CRES 150-170 KSI	Passivate per 20-30-03, method 2 (F-17.09).
Seal Retainer (615)	CRES	Cad plate type 2, class 2, and apply one coat of BMS 10-11, type 1 primer per 20-41-02 (F-16.01).

\*[1] Do not paint seals, bushings, holes, bearings, tubing, cables, wires, latches, latch covers, or any other nonstructural item.

Refinish Details  
 Figure 601 (Sheet 9)

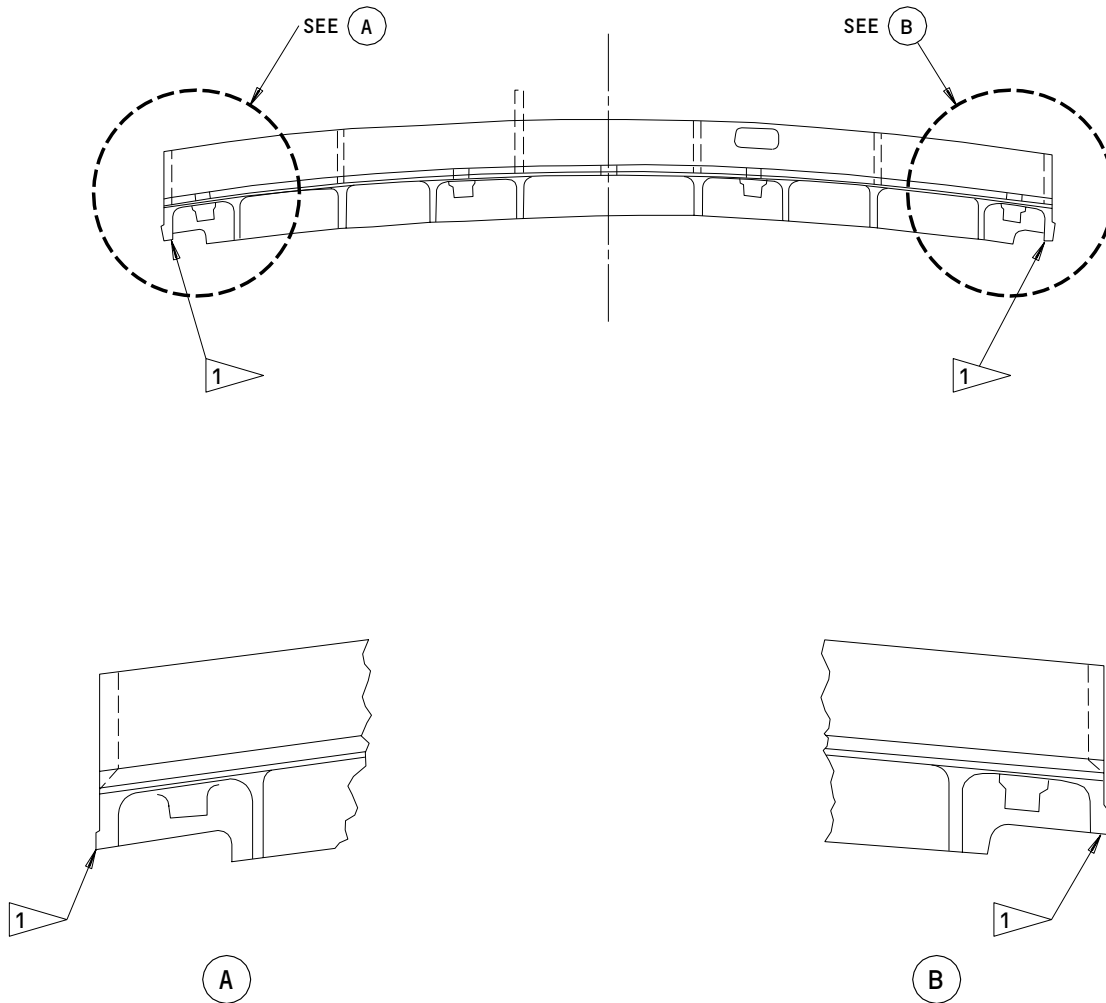
**71-11-31**

REPAIR 11-1

01.1

Page 609

Sep 01/95



1 APPLY FINISH TO THIS SURFACE FOR  
ENTIRE LENGTH OF CASCADE

315T3210-5,-6,-7  
Refinish of Cascade  
Figure 602 (Sheet 1)

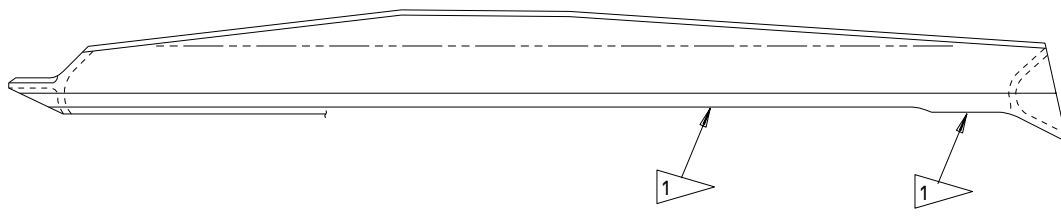
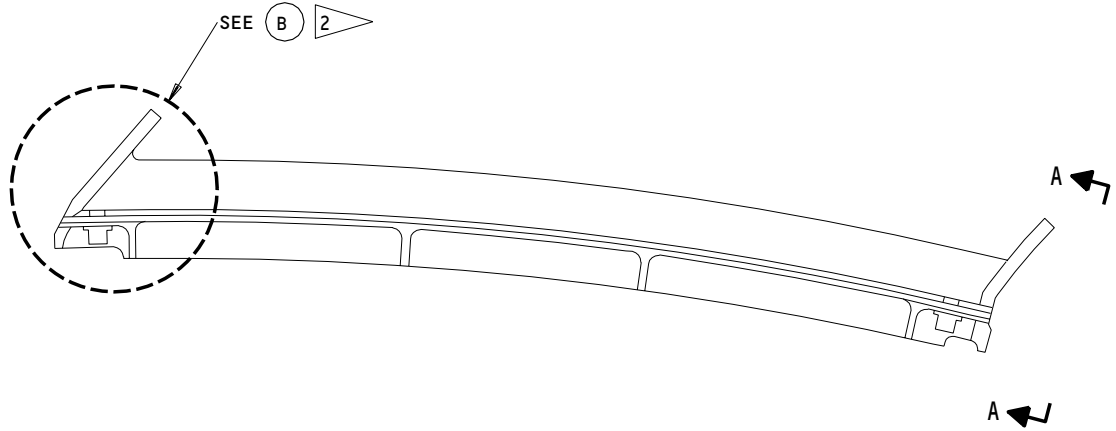
**71-11-31**

REPAIR 11-1

01.101

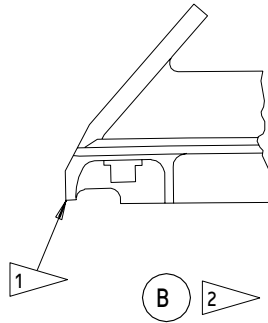
Page 610

Sep 01/95



ROTATED 8° 30' CCW

A-A



- 1 APPLY FINISH TO THIS SURFACE FOR ENTIRE LENGTH OF CASCADE
- 2 -7 ONLY

315T3212-5,-6,-7,-8

Refinish of Cascade  
Figure 602 (Sheet 2)

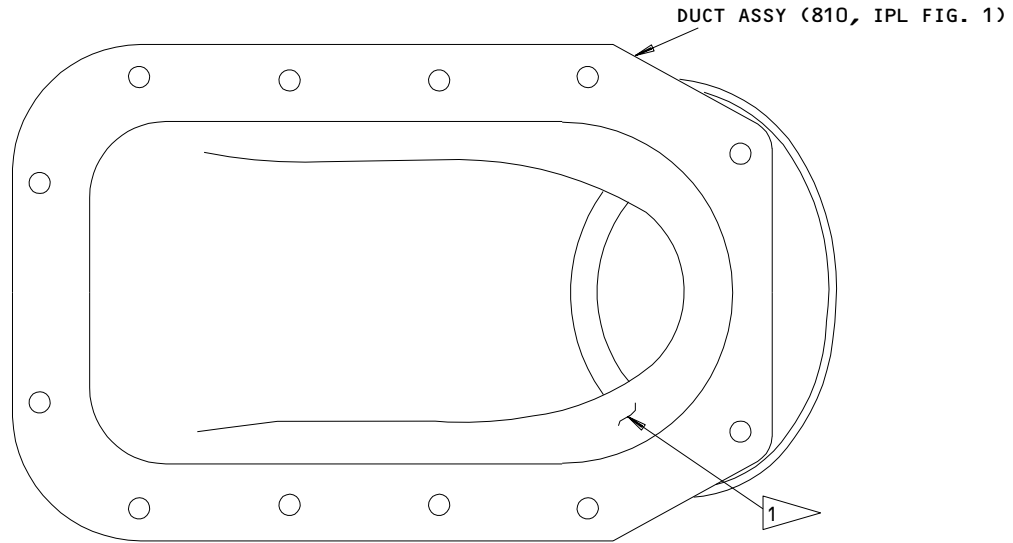
**71-11-31**

REPAIR 11-1

01.101

Page 611

Sep 01/95



**REFINISH**

CHROMIC ACID ANODIZE, TYPE 1 (F-17.04) AND APPLY DESOTO HIGH TEMPERATURE POLYURETHANE PRIMER (F-19.43) ALL OVER. APPLY BMS 10-60, BAC707 GRAY GLOSS ENAMEL (SRF-14.9813) TO INSIDE OF DUCT AND AREA INDICATED BY 1 .

**MATERIAL:** ALUMINUM ALLOY

315T3121-1  
Refinish of Duct Assembly  
Figure 603

59496

**71-11-31**

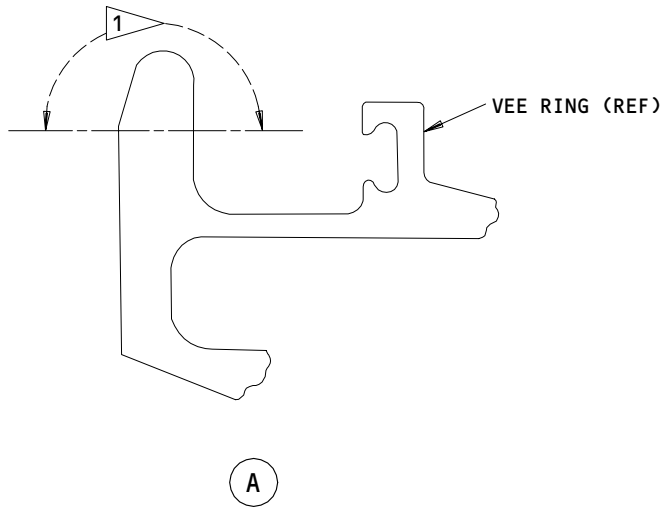
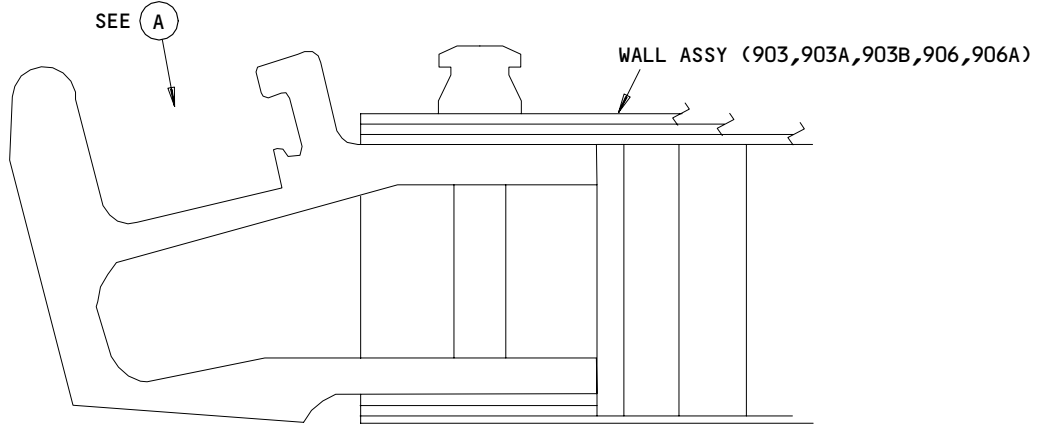
REPAIR 11-1

01.101

Page 612

Sep 01/95





1 APPLY BMS 3-8 TO THIS SURFACE PER 20-50-08

ITEM NUMBERS REFER TO IPL FIG. 1

315T3100-43,-44  
Refinish of Wall Assembly  
Figure 604

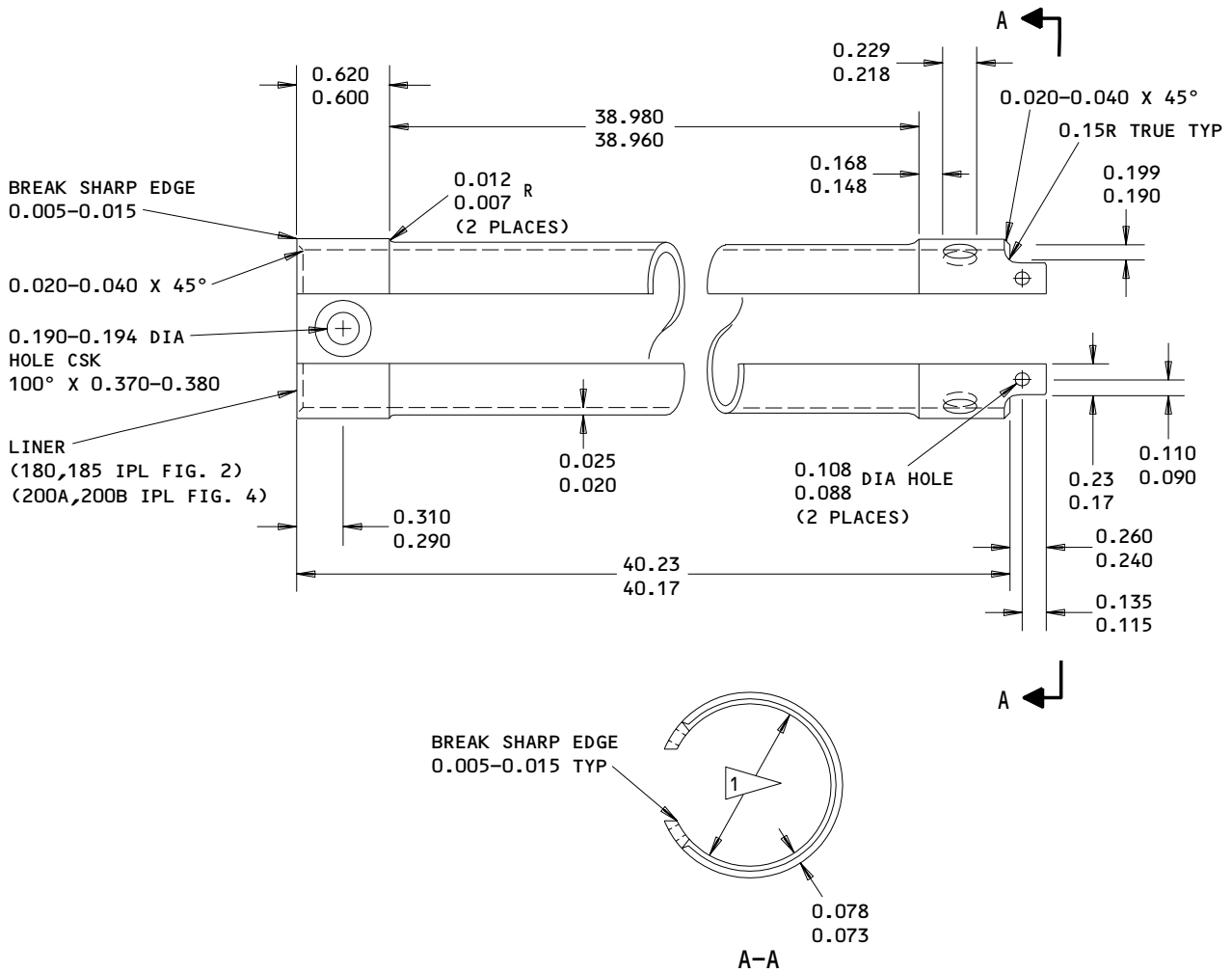
**71-11-31**

REPAIR 11-1

01.101

Page 613

Sep 01/95



**REFINISH**

NICKEL PLATE I.D. 0.003-0.005 INCH THICK PER BMS 10-36 TYPE 2 (OPTIONAL I.D. SURFACE FINISH 16 MICROINCH AND PASSIVATE). CADMIUM PLATE O.D. 0.0010 INCH MAXIMUM THICKNESS AND APPLY ONE COAT BMS 10-11, TYPE 1 PRIMER (F-16.01). DIMENSIONS APPLY AFTER PLATING AND FINISH COATING.

**MATERIAL:** 17-7PH CRES  
150-170 KSI

MAGNETIC PARTICLE CHECK  
PER 20-20-01

ALL DIMENSIONS ARE IN INCHES

1 1.082 MINIMUM APPLIES TO FREE STATE ONLY

315T3415-6,-7,-8,-9  
 Refinish of Liner  
 Figure 605

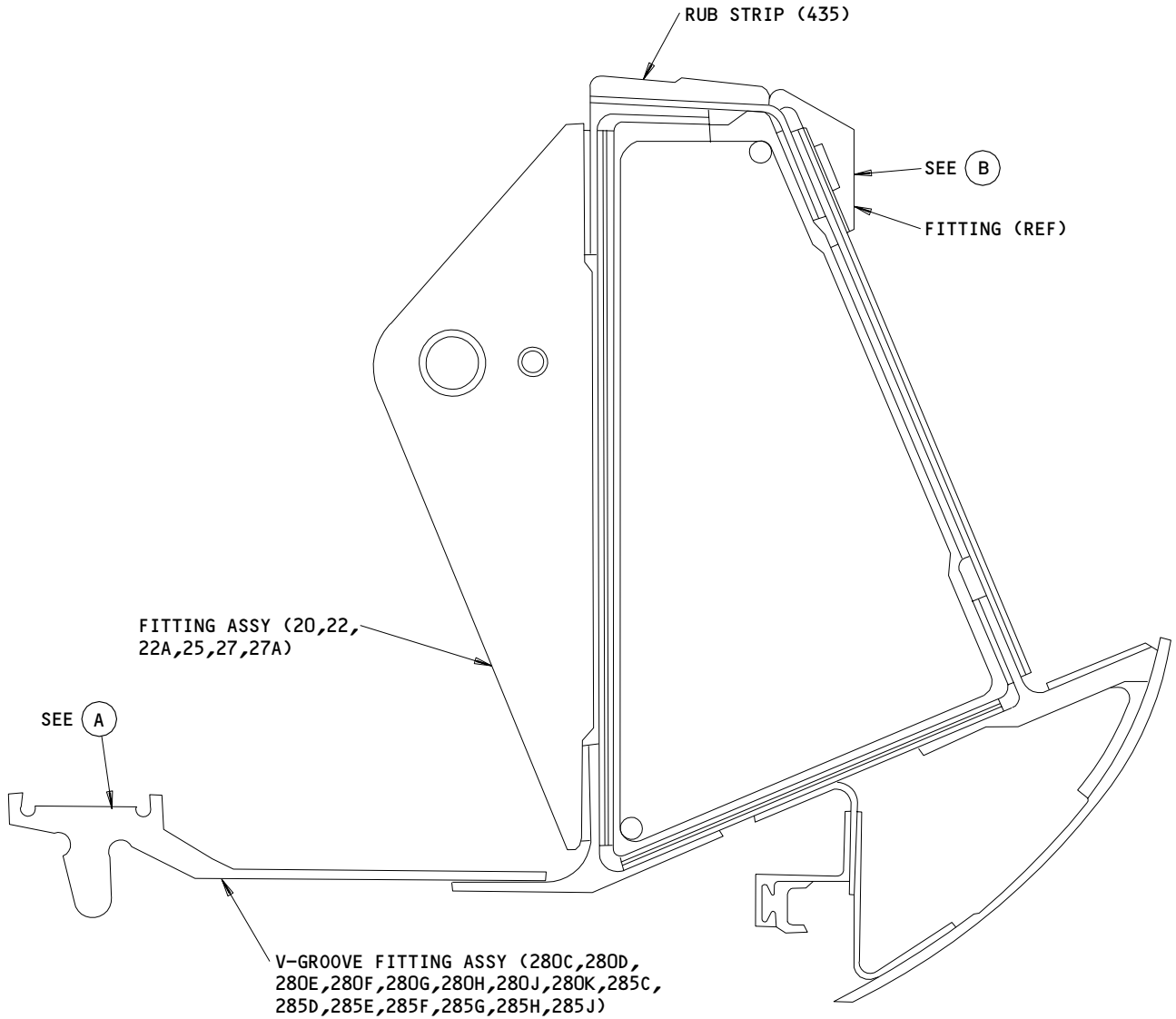
**71-11-31**

REPAIR 11-1

01.101

Page 614

Sep 01/95



ITEM NUMBERS REFER TO IPL FIG. 3

315T3202-5000 series  
Refinish of Torque Box Installation  
Figure 606 (Sheet 1)

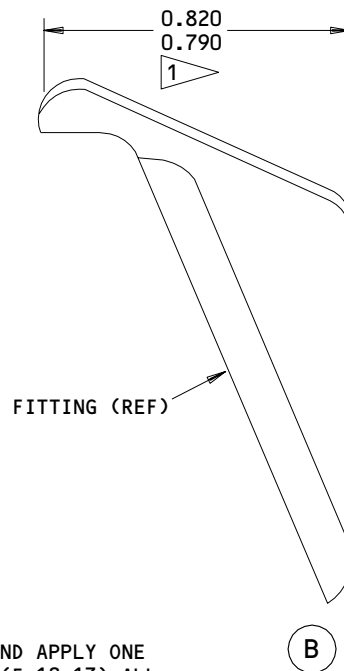
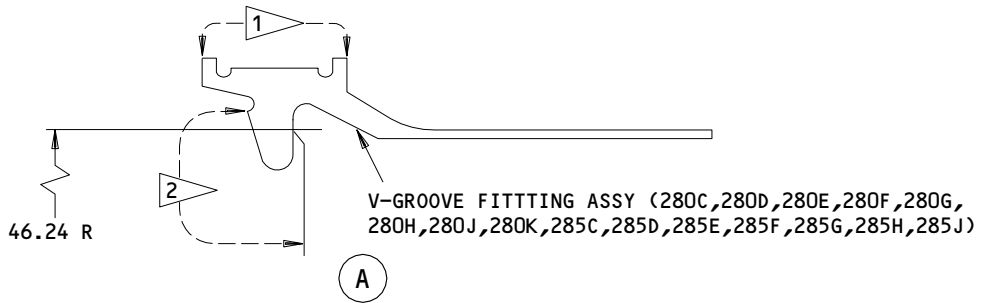
**71-11-31**

REPAIR 11-1

01.101

Page 615

Sep 01/95



**REFINISH**

CHROMIC ACID ANODIZE, TYPE 1 AND APPLY ONE COAT BMS 10-11, TYPE 1 PRIMER (F-18.13) ALL OVER EXCEPT THAT AREA COVERED BY 1

- 1 FLASH ANODIZE AND APPLY BMS 3-8, CLASS A, PER 20-50-08, METHOD 3 (F-19.10), TO THIS SURFACE AROUND ENTIRE PART
- 2 SULFURIC ACID HARD ANODIZE, CLASS 1, GRADE 2 (F-17.06) AND APPLY BMS 3-8, CLASS A, PER 20-50-08, METHOD 3 (F-19.10) TO THIS SURFACE AROUND ENTIRE PART

MATERIAL: ALUMINUM ALLOY

ALL DIMENSIONS ARE IN INCHES

ITEM NUMBERS REFER TO IPL FIG. 3

Refinish of Torque Box Installation  
 Figure 606 (Sheet 2)

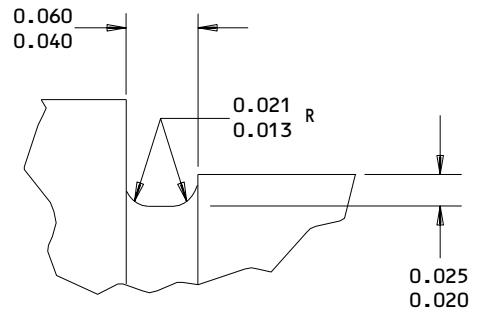
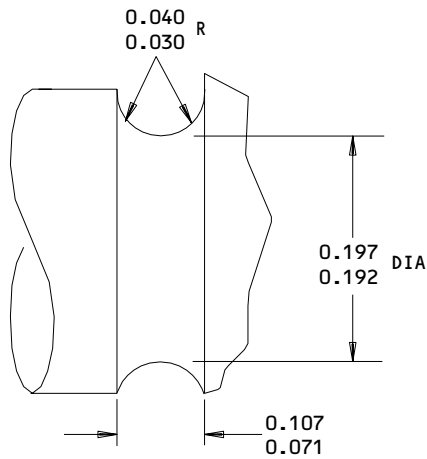
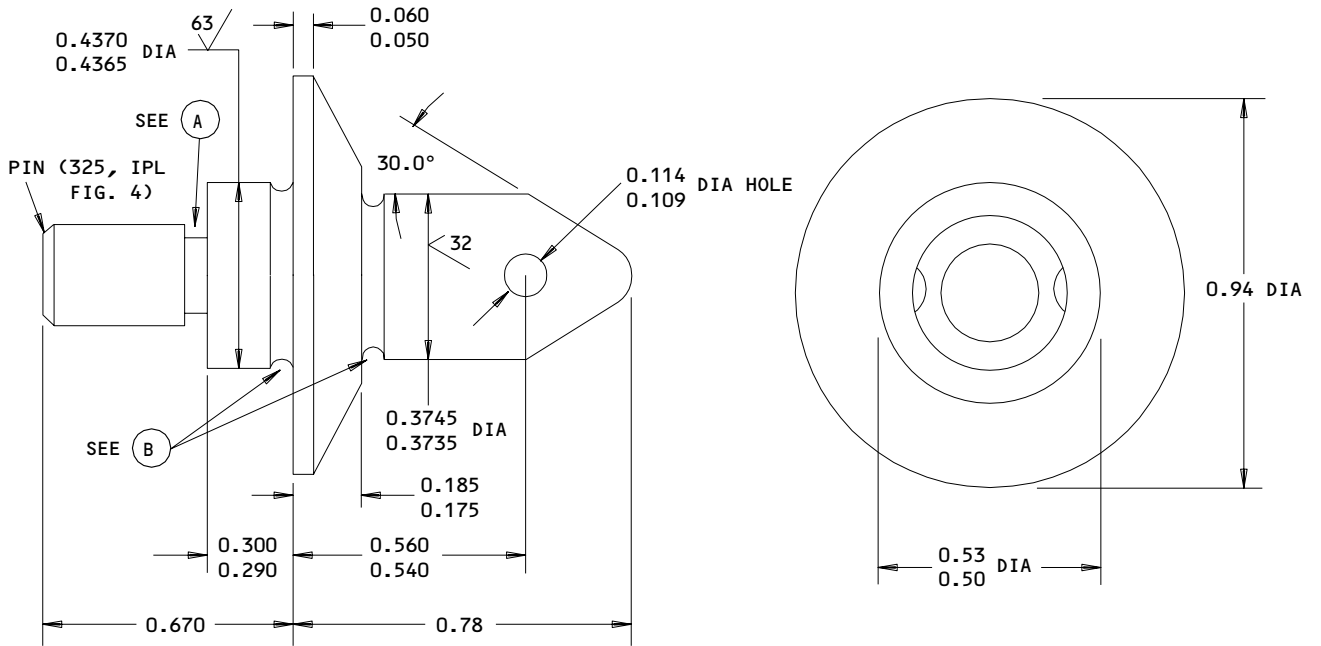
**71-11-31**

REPAIR 11-1

01.101

Page 616

Sep 01/95



(A)

(B)

**REFINISH**

CADMIUM PLATE, TYPE 2, CLASS 2, AND APPLY ONE COAT BMS 10-11, TYPE 1 PRIMER (F-16.01); DIMENSIONS SHOWN APPLY AFTER PLATING AND FINISH COATING. SURFACE TEXTURE DESIGNATIONS APPLY BEFORE PLATING OR FINISH COATING

MATERIAL: 15-5PH CRES  
 150-170 KSI

ALL DIMENSIONS ARE IN INCHES

315T3423-1

Refinish of Pin  
 Figure 607

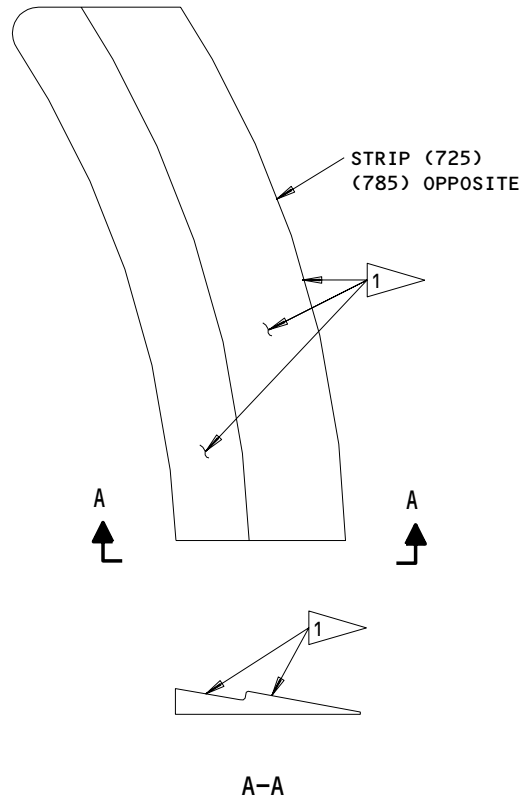
**71-11-31**

REPAIR 11-1

01.101

Page 617

Sep 01/95



**REFINISH**

CHROMIC ACID ANODIZE, TYPE 1 (F-17.04) AND APPLY BMS 10-79, TYPE 2 PRIMER (F-19.46) ALL OVER. APPLY BMS 10-60, TYPE 2 GLOSS ENAMEL ON AREAS INDICATED BY 1

MATERIAL: ALUMINUM ALLOY

ITEM NUMBERS REFER TO IPL FIG. 4

1 APPLY ENAMEL TO THESE AREAS

315T3411-1, -2

Refinish of Strip  
 Figure 608

**71-11-31**

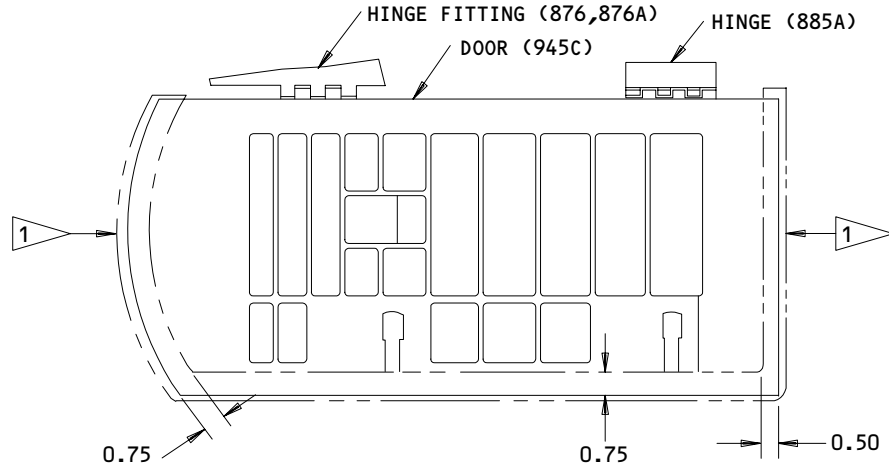
REPAIR 11-1

01.101

Page 618

Sep 01/95

**BOEING**  
**COMPONENT**  
**MAINTENANCE MANUAL**



**REFINISH**

CHROMIC ACID ANODIZE, TYPE 1 OR SULFURIC ACID ANODIZE, TYPE 2 (F-17.05) ALL OVER. APPLY ONE COAT BMS 10-79, TYPE 2 PRIMER (F-19.46) ALL OVER. APPLY BMS 10-60, TYPE 2 ENAMEL (F-19.39-XXX) PER AIRLINE STANDARD COLOR SCHEME. OMIT ENAMEL ON AREA OF 1

MATERIAL: ALUMINUM ALLOY

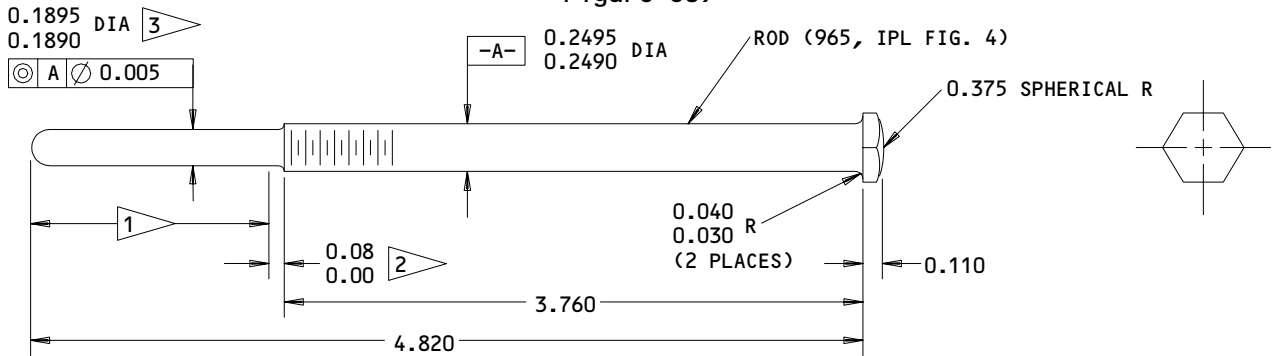
ALL DIMENSIONS ARE IN INCHES

ITEM NUMBERS REFER TO IPL FIG. 4

- 1 PREPARE SURFACE AND APPLY BMS 10-86, TYPE 1 WHITE TEFLON-FILLED COATING, PER 20-44-01, TYPE 27 (SRF-14.9624)

**315T3416-1SP,-10SP**

**Refinish of Exhaust Door Assembly**  
**Figure 609**



**REFINISH**

PREPARE SURFACE AND PASSIVATE (F-17.09)  
 CHROME PLATE (F-15.03) ON INDICATED AREA

MATERIAL: 15-5PH CRES  
 180-200 KSI

ALL DIMENSIONS ARE IN INCHES

- 1 CHROME PLATE THIS AREA
- 2 NO CHROME PLATE IN THIS AREA
- 3 DIMENSIONS APPLY AFTER PLATING

**315T1452-2**

**Refinish of Rod**  
**Figure 610**

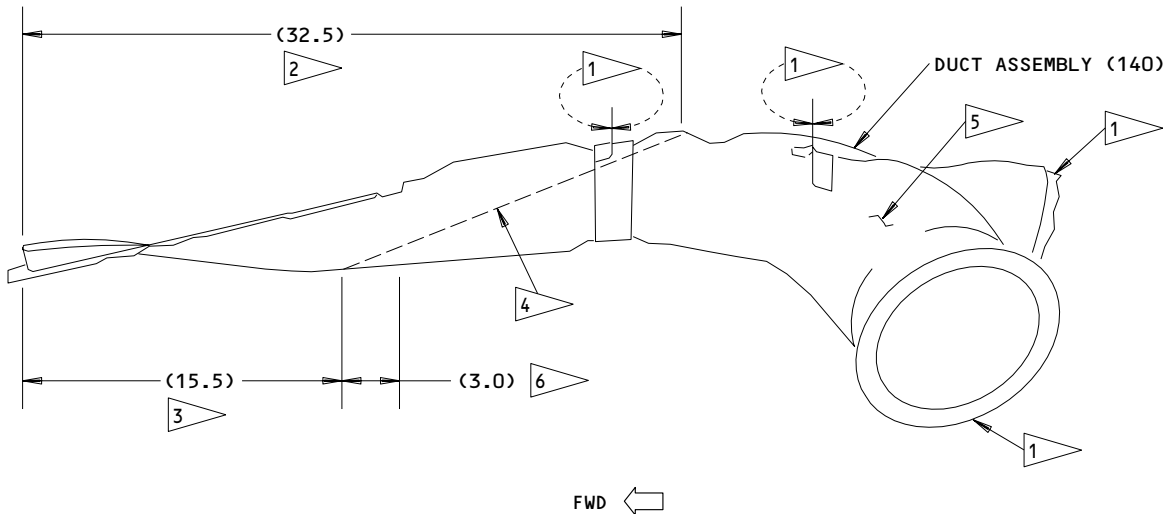
**71-11-31**

REPAIR 11-1

01.101

Page 619

Sep 01/95



315T3125-16,-18

**REFINISH**

315T3125-16,-18:

AFTER FUNCTIONAL TESTING APPLY ONE COAT BMS 10-11, TYPE 1 PRIMER (F-20.02) TO EXTERIOR SURFACES OF DUCT ASSEMBLY. INTERIOR SURFACES: APPLY NO FINISH. APPLY MA-25S AS FOLLOWS:

ITEM NUMBERS REFER TO IPL FIG. 6

ALL DIMENSIONS ARE IN INCHES

- 1 NO MA-25S REQUIRED
- 2 ON FAN DUCT SIDE OF DUCT ASSEMBLY NO MA-25S IS REQUIRED FORWARD OF THIS POINT.
- 3 ON ENGINE CASE SIDE OF DUCT ASSEMBLY NO MA-25S IS REQUIRED FORWARD OF THIS POINT.
- 4 THE ZERO THICKNESS POINT ON THE SIDES OF THE DUCT ASSEMBLY WILL VARY LINEARLY BETWEEN 2 AND 3.
- 5 3/8 INCH OF MA-25S ON REMAINDER OF DUCT ASSEMBLY
- 6 TAPER MA-25S FROM ZERO TO 3/8 INCH, EXCEPT NO MA-25S ON FLANGES

315T3125-16,-18

Refinish of Duct Assembly  
 Figure 611 (Sheet 1)

**71-11-31**

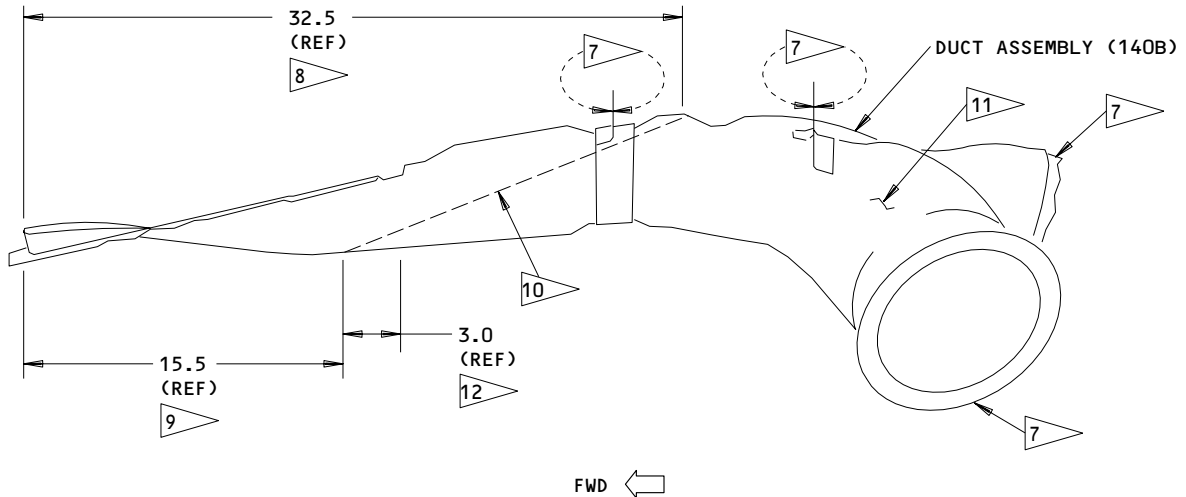
REPAIR 11-1

01.101

Page 620

Sep 01/95





315T3125-31

**REFINISH**








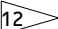
312T3125-31:

AFTER FUNCTIONAL TESTING APPLY ONE COAT  
 BMS 10-11, TYPE 1 PRIMER (F-20.02) TO EXTERIOR  
 SURFACES OF DUCT ASSEMBLY.

INTERIOR SURFACES: APPLY NO FINISH. APPLY  
 CROWN-METRO AS FOLLOWS:

ITEM NUMBERS REFER TO IPL FIG. 9

ALL DIMENSIONS ARE IN INCHES

-  NO CROWN-METRO REQUIRED
-  ON FAN DUCT SIDE OF DUCT ASSEMBLY NO  
CROWN-METRO IS REQUIRED FORWARD OF THIS  
POINT
-  ON ENGINE CASE SIDE OF DUCT ASSEMBLY NO  
CROWN-METRO IS REQUIRED FORWARD OF THIS  
POINT
-  THE ZERO THICKNESS POINT ON THE SIDES OF  
THE DUCT ASSEMBLY WILL VARY LINEARLY  
BETWEEN  AND 
-  0.32 INCH OF CROWN-METRO ON REMAINDER OF  
DUCT ASSEMBLY
-  TAPER CROWN-METRO FROM ZERO TO 0.32 INCH,  
EXCEPT NO CROWN-METRO ON FLANGES

315T3125-31

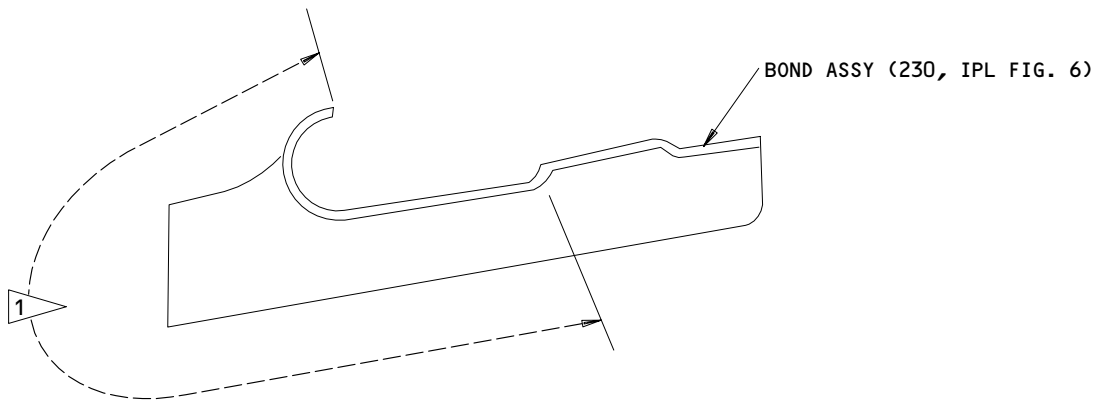
**Refinish of Duct Assembly  
 Figure 611 (Sheet 2)**
**71-11-31**

REPAIR 11-1

01.101

Page 621

Sep 01/95



**REFINISH**

1

PREPARE SURFACE AND APPLY DEXTER  
28-C-1 STATIC CONDITIONER PLUS  
DEXTER 8-W-5 SURFACER (SRF-14.672).  
APPLY TWO COATS BMS 10-11, TYPE 1  
PRIMER (F-20.03)

MATERIAL: FIBERGLASS/KEVLAR

Refinish of Bond Assembly  
Figure 612

**71-11-31**

REPAIR 11-1

Page 622

Sep 01/95

01.101

CASCADE ASSEMBLY – REPAIR 12-1

315T3210-1, -3, -4, -8, -9, -10	315T4210-1, -2, -3
315T3212-1, -2, -3, -4, -11, -12, -13, -14	315T4212-1, -2, -3, -4
315T3214-1, -2, -7, -8	315T4214-1, -2, -3, -4
315T3259-1, -2, -7, -8	315T4259-1, -2, -7, -8, -9, -10
315T3262-1, -4	315T4262-1

**NOTE:** Refer to REPAIR-GENERAL for list of applicable standard practices.

1. Cascade Assembly Vane Repair (44, 44G, 47, 47G, 62, 65, 92, 95, 98, 101, 128, 131, 146, 149, 164A, 179, 182, IPL Fig. 1).

**CAUTION:** WELD REPAIRS MUST BE A MINIMUM OF 0.50 INCH FROM ANY STRONGBACK OR STRUCTURAL DAMAGE MAY OCCUR. REPLACE CASCADE ASSEMBLIES IF DAMAGE IS LESS THAN 0.50 INCH FROM A STRONGBACK.

A. Weld repairs not requiring a replacement section. (Ref. Fig. 601).

- (1) Clean entire casting per 20-30-03.
- (2) Stop drill end of crack(s) with a number 40 (0.098-inch diameter) or number 60 (0.040-inch diameter) drill.
- (3) Groove cracked area, from both sides, to ensure 100% joint penetration.

**CAUTION:** PREHEATING AND STRESS RELIEVING TO A MAXIMUM TEMPERATURE OF 350°F TO PREVENT CRACKING IS ALLOWED (FURNACE METHOD ONLY). 350°F SHALL NOT BE EXCEEDED OR STRUCTURAL DAMAGE MAY OCCUR.

DO NOT SOLUTION HEAT TREAT AND/OR AGE HARDEN THE WELD CASTING AS CRACKING/DISTORTION MAY OCCUR.

- (4) Weld joint using gas tungsten arc method and either AZ92A or AZ101A filler wire or rod per MIL-R-6944. Weld bead(s) must be left as deposited.
- (5) Penetrant inspect per 20-20-02 and X-ray weld areas.
- (6) Refinish weld area(s) of casting by applying Dow 19 anodize per 20-43-02.
- (7) Apply one coat BMS 10-11, type 1 primer (F-20.02), and one coat BMS 10-60, color BAC707 gray gloss enamel (SRF-14.9813).

# 71-11-31

REPAIR 12-1

01.1

Page 601

Sep 01/95

B. Weld repairs requiring replacement sections.

- (1) Cut replacement section(s) from a similar salvaged cascade or 0.063-inch thick AZ31B magnesium sheet per QQ-M-44.
- (2) Clean cast or sheet metal per 20-30-03.
- (3) Prepare butt joint as required to permit 100% joint penetration.
- (4) Position parts for welding using a minimum of restraint.

**CAUTION:** PREHEATING AND STRESS RELIEVING TO A MAXIMUM TEMPERATURE OF 350°F TO PREVENT CRACKING IS ALLOWED (FURNACE METHOD ONLY). 350°F SHALL NOT BE EXCEEDED OR STRUCTURAL DAMAGE MAY OCCUR.

DO NOT SOLUTION HEAT TREAT AND AGE THE WELD CASTING AS CRACKING/DISTORTION MAY OCCUR.

- (5) Weld joint using gas tungsten arc method and either AZ92A or AZ101A filler wire or rod per MIL-R-6944. Weld beads must be left as deposited.
- (6) Penetrant inspect per 20-20-02 and X-ray weld area(s).
- (7) Refinish weld area(s) of casting by applying Dow 19 anodize per 20-43-02.
- (8) Apply one coat BMS 10-11, type 1 primer (F-20.02), and one coat BMS 10-60, color BAC707 gray gloss enamel (SRF-14.9813).

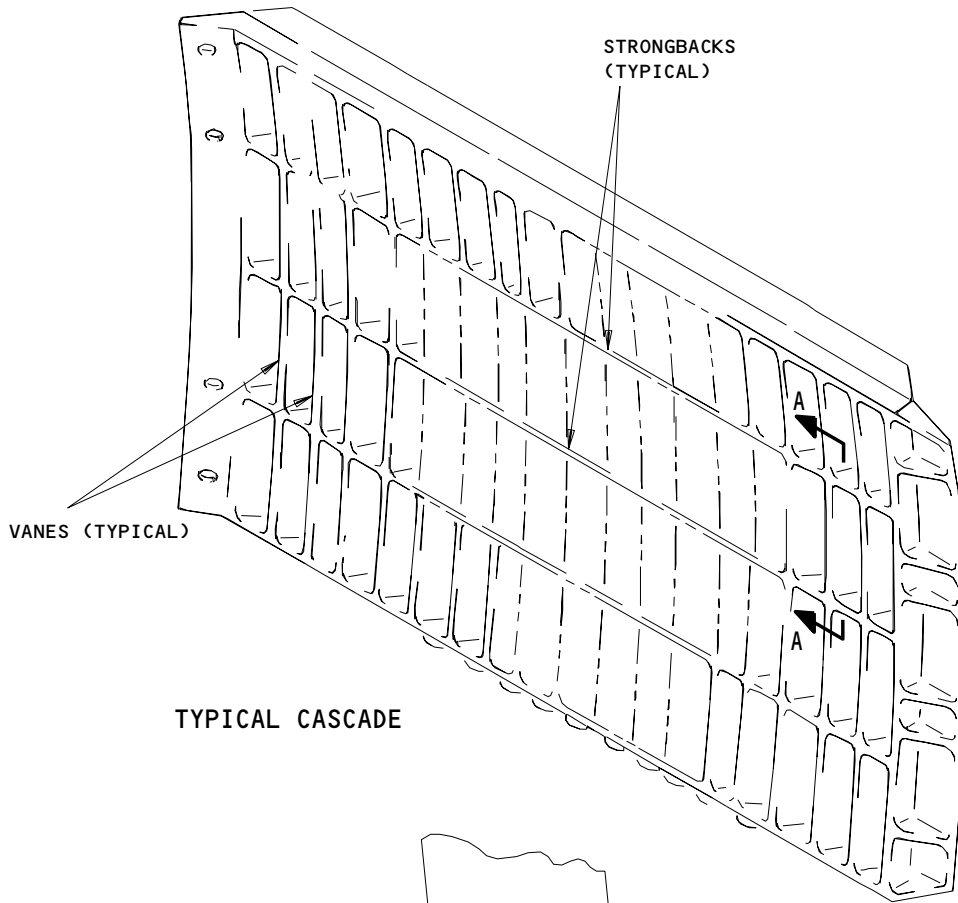
**71-11-31**

REPAIR 12-1

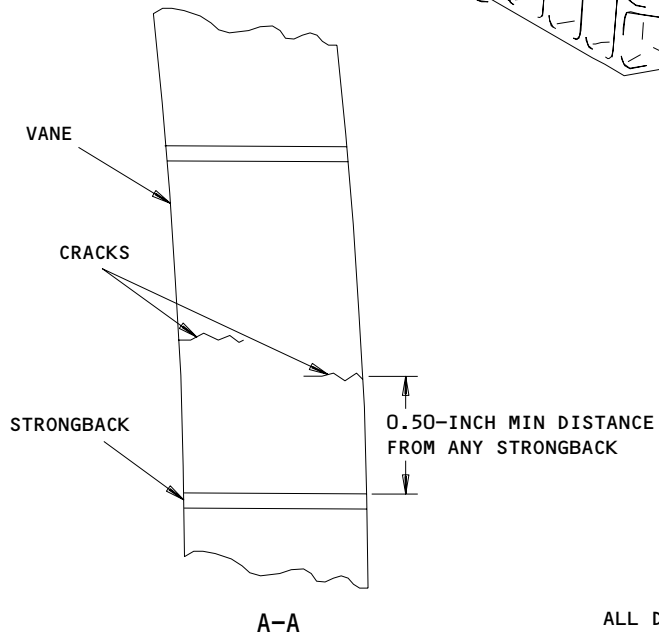
01.1

Page 602

Jul 10/86



TYPICAL CASCADE



ALL DIMENSIONS ARE IN INCHES

Cascade Vane Weld Repair  
Figure 601

**71-11-31**

REPAIR 12-1

Page 603

Jul 10/86

01.1

FAN DUCT COWL ASSEMBLY - REPAIR 13-1

315T3002-25 thru -28, -33, -35, -43, -45, -47,  
-49, -83, -85, -87, -88

NOTE: Refer to REPAIR-GEN for list of applicable standard practices.

1. MA-25S Coating Repair (IPL Fig. 1)

- A. Refer to CMM 71-00-01, "Application and Repair of MA-25S Insulative Coating System" to repair the MA-25S (red insulative/ablative) coating on the Fan Duct Cowl Assembly.

**71-11-31**

REPAIR 13-1

01.1

Page 601

Jul 10/86

COWL CATCH - REPAIR 14-1

315T3554-2

NOTE: Refer to REPAIR-GENERAL for a list of applicable standard practices.

1. Cowl Catch (917) Replacement (IPL Fig. 1)

- A. Mark location of cowl catch on rivet bond assembly (919A, 919G) to locate replacement cowl catch. Remove cowl catch (917).
- B. Position replacement cowl catch on rivet bond assembly to the forward/aft dimension shown in Fig. 601 and the location marked in step 1.A.
- C. Drill 0.1885-0.1905 inch diameter holes in replacement cowl catch to match existing holes in rivet bond assembly. Drill two outboard cowl catch holes first. Install temporary fasteners to secure the cowl catch to the rive bond assembly. Drill the four remaining holes.

NOTE: Replacement cowl catch does not have fastener holes drilled.

- D. Remove all temporary fasteners.
- E. Deburr holes.
- F. Install bolts (914) and collars (916), 6 locations.

2. Refinish

- A. Cowl catch (917, IPL Fig. 1) -- Cadmium plate (F-15.06) and apply two coats Desoto high temperature polyurethane primer, type 51 (F-19.43).  
Material: 15-5PH CRES, 180-200 ksi.

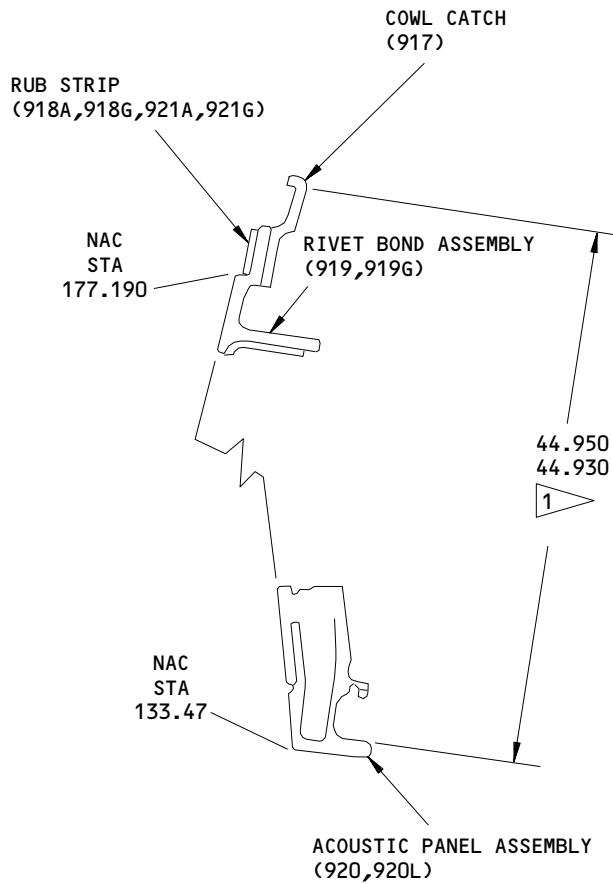
**71-11-31**

REPAIR 14-1

01.1

Page 601

Sep 01/95



1 FORWARD/AFT DIMENSION

ITEM NUMBERS REFER TO IPL FIG. 1  
 ALL DIMENSIONS ARE IN INCHES

315T3554-2

Cowl Catch Replacement  
 Figure 601

**71-11-31**

REPAIR 14-1

Page 602

Sep 01/95

01.1



ASSEMBLY1. Materials

NOTE: Equivalent substitutes may be used.

- A. Adhesive -- Type 60 (Ref 20-50-12)  
           -- Type 68 (Ref 20-50-12)  
           -- RTV157 (Ref 20-60-04)
- B. Coating, Clear Skydrol Resistant -- 683-3-2 base, X-310A catalyst (Ref 20-60-02)
- C. Compound, Ablative -- MA-25S (Ref 20-60-04) (Refer to CMM 71-00-01 for mixing and curing instructions).
- D. Compound, Corrosion Preventive -- MIL-C-11796, Class 3 (Ref 20-60-04)
- E. Lockwire -- MS20995C32, MS20995C41, or MS20995C47
- F. Parting Agent -- Strippable vinyl coating 4A-183 (Ref 20-60-04) or coating consisting of one part by weight vinyl tubing, four parts by weight cyclohexanone, and one part by weight F20629 pigment.
- G. Primer -- BMS 10-11, type 1 (Ref 20-60-02)
- H. Sealant -- BMS 5-63C, Class B-4 (Ref 20-60-04)  
           -- BMS 5-63 (Ref 20-60-04)

CAUTION: ONLY TITANIUM OR CORROSION RESISTANT STEEL FASTENERS SHALL BE USED WITH GRAPHITE COMPOSITES. SUBSTITUTION WITH ALUMINUM OR PLATED ALLOY STEEL FASTENERS IS NOT ALLOWED AS GALVANIC CORROSION WILL SHORTEN COMPONENT SERVICE LIFE.

2. Assembly

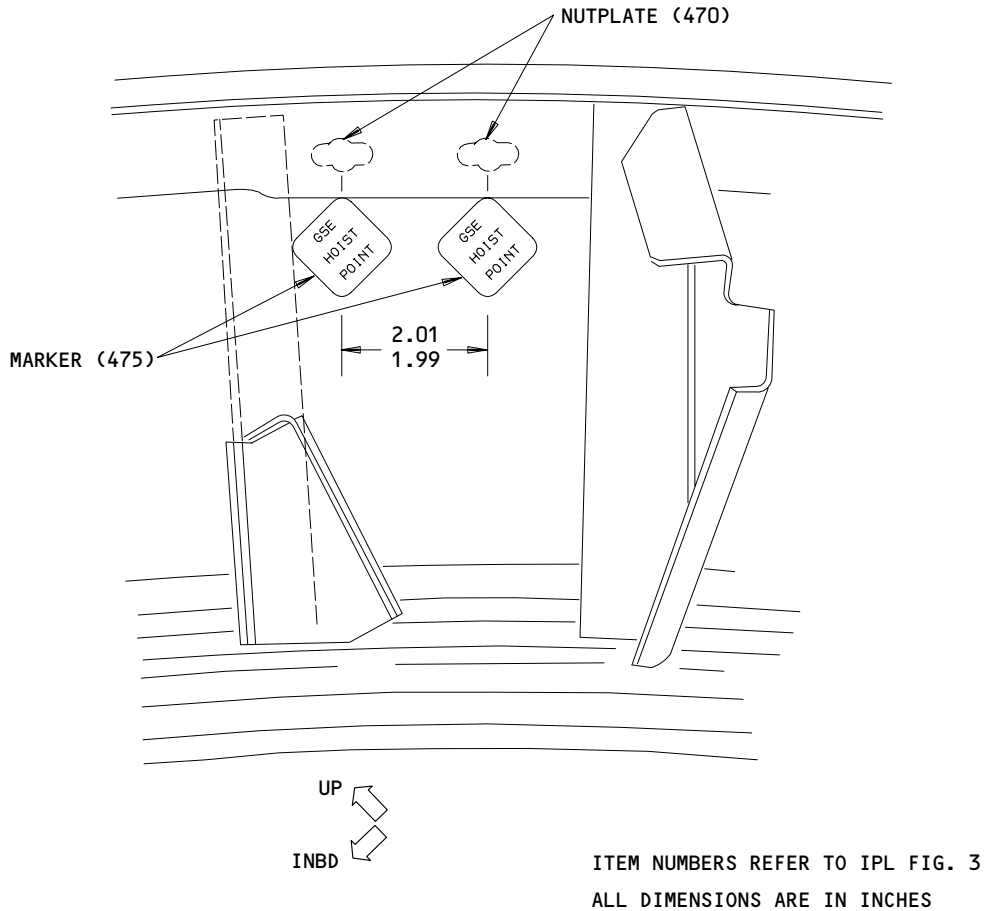
- A. Use standard industry practices for the assembly of this component plus the following procedures.
- B. Assembly of Torque Box Installation (IPL Fig. 3)
  - (1) Apply BMS 10-11, type 1 primer to nutplates (180, 215, 260, 295, 455, 470), omitting primer from threads, and assemble wet.
  - (2) Apply a light coat of BMS 10-11, type 1 primer to insert (275). Install insert 1 1/2 to 2 1/2 turns below top of tapped hole. Remove tangs.

71-11-31

 ASSEMBLY  
 Page 701  
 Jul 10/86

01.1

- (3) Install shims (75, 80, 85) if and as required same thickness as removed (see Disassembly). Apply BMS 10-11, type 1 primer and install wet or dry.
- (4) Bond marker (475) per 20-50-05 as shown in Fig. 701. Seal edges using clear Skydrol resistant topcoating.



**Installation of Markers  
 Figure 701**

**C. Assembly of Upper Bifurcation Installation (IPL Fig. 2).**

- (1) Apply BMS 10-11, type 1 primer to nutplates (130, 135, 140, 295A, 296, 325, 385), omitting primer from threads.

59633

**71-11-31**

ASSEMBLY  
 Page 702  
 Sep 01/95

01.1


**BOEING**  
 COMPONENT  
 MAINTENANCE MANUAL

- (2) Delaminate shims (110, 268, 268A, 269, 269A) as required. Gap prior to fastener installation shall be 0.005 inch maximum with a maximum shim thickness of 0.062 inch. Apply BMS 10-11, type 1 primer to shims and install wet or dry between the following parts:
  - (a) Shim (110) between fillers (115, 120) and contacting structure.
  - (b) Shims (268, 268A, 269, 269A) between attach assemblies (270, 270B, 275, 275B) and contacting structure.
- (3) Apply faying surface seal of BMS 5-63 sealant between the following parts:
  - (a) Bracket assembly (205) and contacting structure.
  - (b) Attach assemblies (270, 270B, 275, 275B) and panel assemblies (190, 190A, 191, 191A).
  - (c) Pad assemblies (310, 315, 370, 375) and panel assemblies (190, 190A, 191, 191A).

**CAUTION:** DO NOT DRIVE INSTALL RIVETS OR STRUCTURAL DAMAGE COULD RESULT.

- (4) Install rivet (80) by squeeze method only.
- (5) Apply BMS 10-11, type 1 primer to liners (180, 185) and assemble wet.
- (6) Lockwire bolt (175) to one or both holes in liner (180, 185).
- (7) Install all fasteners which penetrate panel assemblies (190, 190A, 191, 191A) with wet BMS 5-63 sealant under heads. Fillet seal collars with wet BMS 5-63 sealant except those collars covered by MA-25S as shown per Fig. 706.

#### D. Assembly of Lower Bifurcation Assembly (IPL Fig. 4)

- (1) Apply BMS 10-11, type 1 primer to nutplates (680, 685), omitting primer from threads.
- (2) Use shims (220, 225, 230, 235, 240) if and as required. Delaminate shims as required to adjust gap between track assembly (20, 25) and contacting structure. Gap after shimming and prior to fastener pull up to be 0.000-0.010 inch. Apply BMS 10-11, type 1 primer to shims and install wet.
- (3) Shims (220, 225, 230) may be made up with shorter length increments that include a minimum of two fastener locations each.
- (4) Apply faying surface seal of BMS 5-63 sealant to both sides of shims (220, 225, 230, 235, 240).

# 71-11-31

ASSEMBLY  
 Page 703  
 Jun 01/95

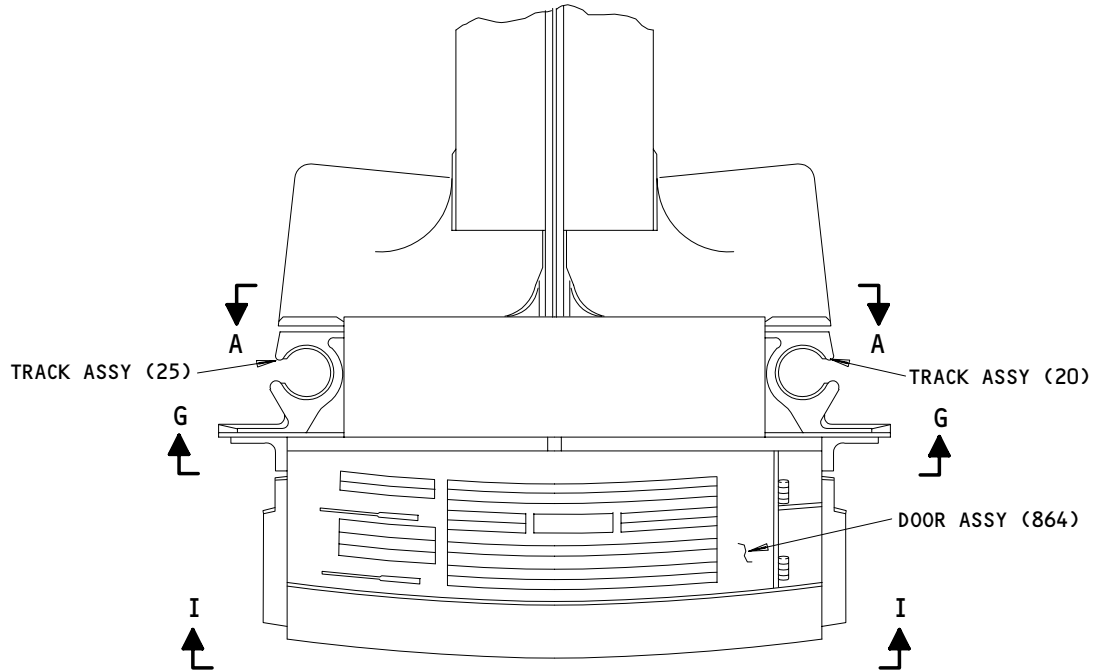
01.1

- (5) Apply faying surface seal of BMS 5-63 sealant between the following parts:
  - (a) Track assembly (20, 25) and contacting structure.
  - (b) Fitting assemblies (385, 385A, 445, 445C) and contacting structure.
  - (c) Hinges (884, 884A, 885A, 885B) and door (945C).
  - (d) Latch (920) and door (945C).
  - (e) Brackets (935, 940) and door (945C).
- (6) No clamp-up permitted for installation of bolts (365, 535). Use additional washer or combination of washers (370, 540) to maintain 0.01-0.02 inch gap.
- (7) Secure hinge pin (874B) per 20-50-02.
- (8) Install all fasteners which penetrate aluminum honeycomb with BMS 5-63 sealant under heads. Fillet seal collars and nuts with BMS 5-63 sealant except those covered by MA-25S as shown on Fig. 706.
- (9) Fill pockets in bifurcation assembly as shown in Fig. 702.
- (10) Assemble latch signal installation (950) as shown in IPL Fig. 4. Lockwire (MS20995C41) nuts (955) together per 20-50-02.

**71-11-31**

ASSEMBLY  
Page 704  
Jun 01/95

01.1

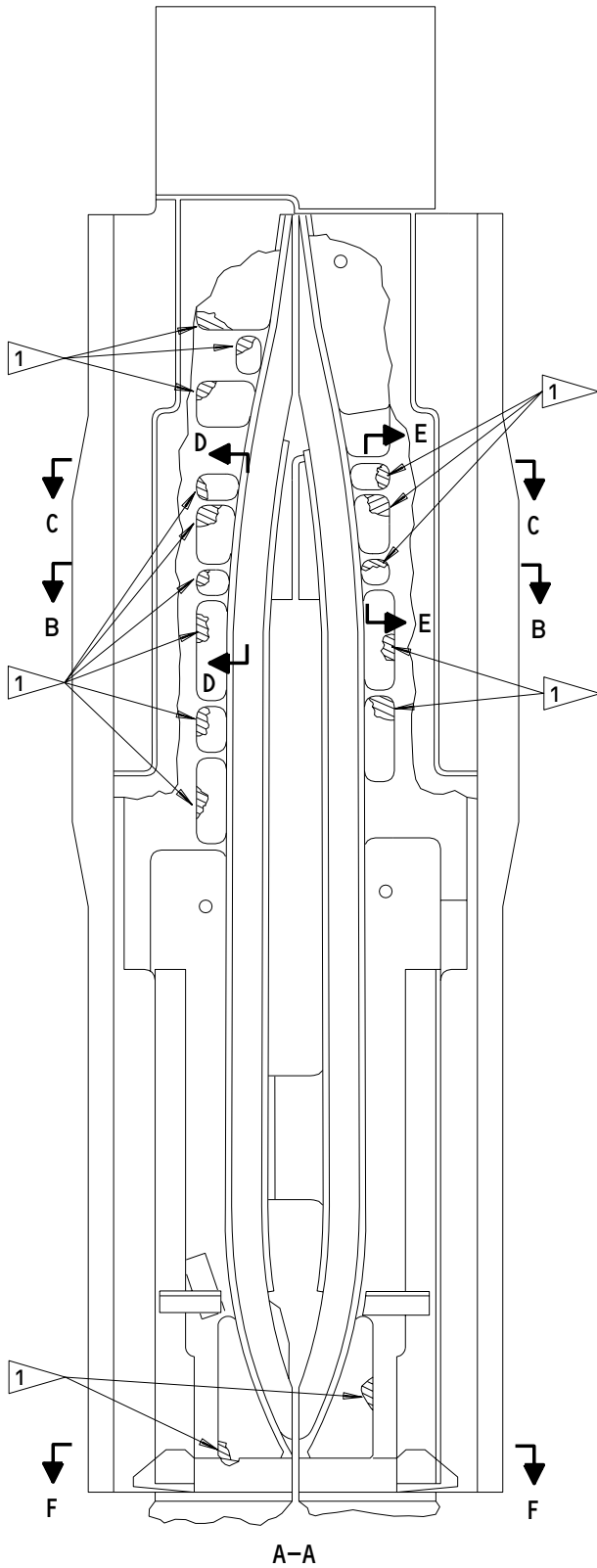


Application of Leveling Compound  
Figure 702 (Sheet 1)

**71-11-31**

ASSEMBLY  
Page 705  
Jul 10/83

01



- 1 FILL POCKET OR RECESS LEVEL WITH OUTER EDGE USING BMS 5-63 SEALANT
- 2 CAUTION: DRAIN PATH. DO NOT PLUG OR OBSTRUCT
- 3 FILL POCKET OR RECESS APPROXIMATELY AS SHOWN. SLOPES SHOWN AFT 4-7 DEGREES. SLOPES SHOWN INBD OR OUTBOARD 7-10 DEGREES. PLUG OPENINGS AS SHOWN. USE BMS 5-63 SEALANT
- 4 FILL POCKET APPROXIMATELY AS SHOWN TO DRAIN TO HOLE OR LEVEL SURFACES WITH DRAIN PATH. FILL WITH BMS 5-63 SEALANT

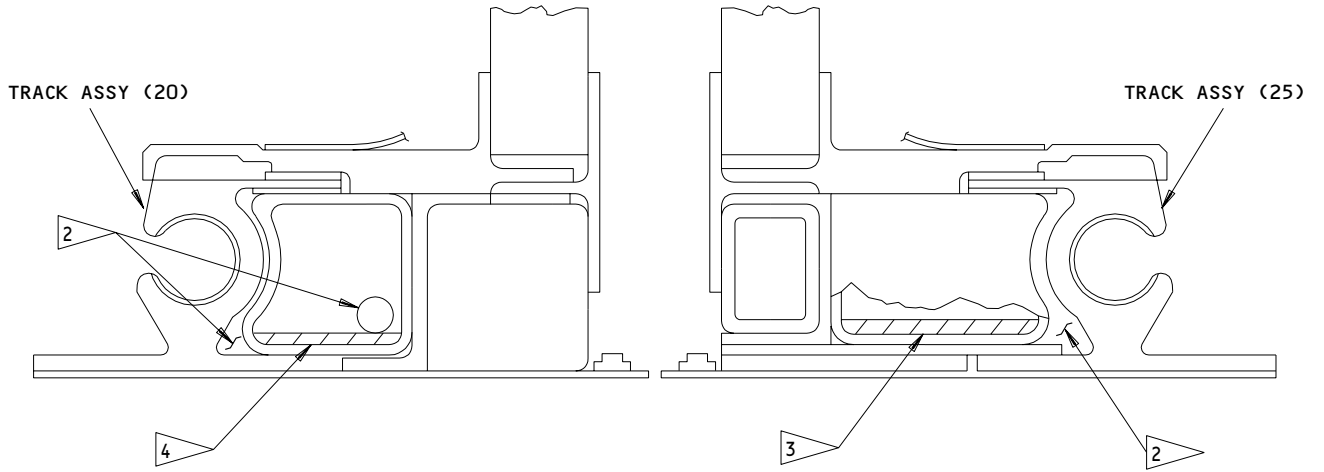
ITEM NUMBERS REFER TO IPL FIG. 4

Application of Leveling Compound  
 Figure 702 (Sheet 2)

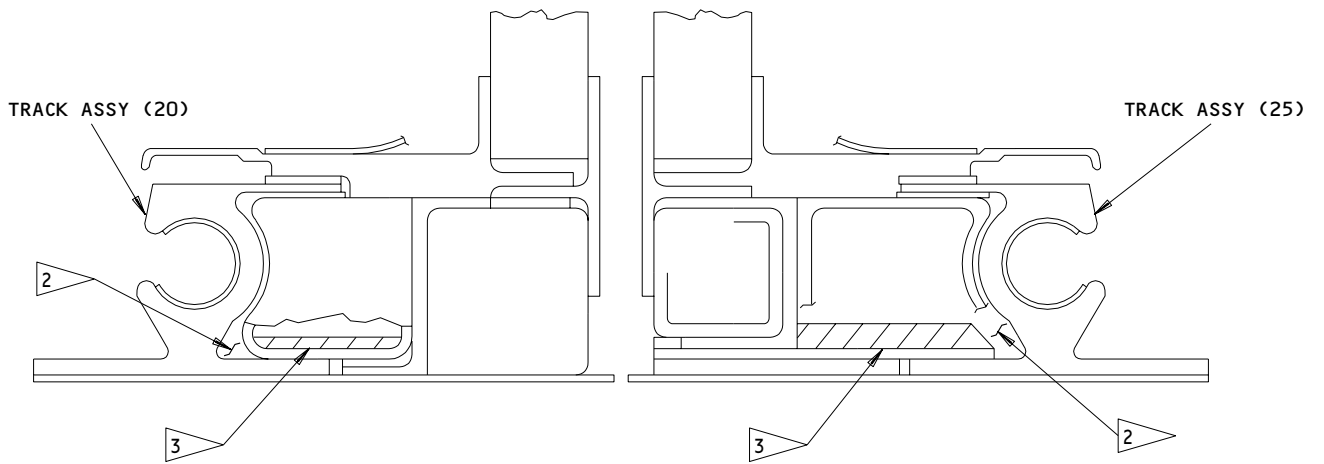
**71-11-31**

ASSEMBLY  
 Page 706  
 Sep 01/95

01.1



B-B  
(ROTATED 180° CW)



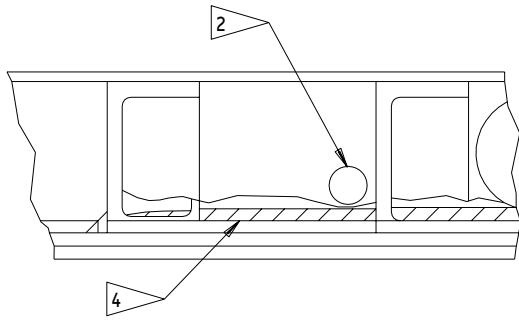
C-C  
(ROTATED 180° CW)

Application of Leveling Compound  
Figure 702 (Sheet 3)

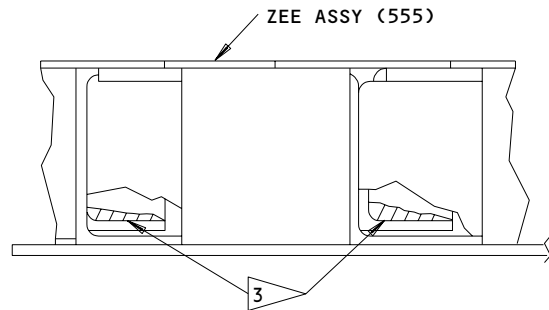
**71-11-31**

ASSEMBLY  
Page 707  
Jul 10/83

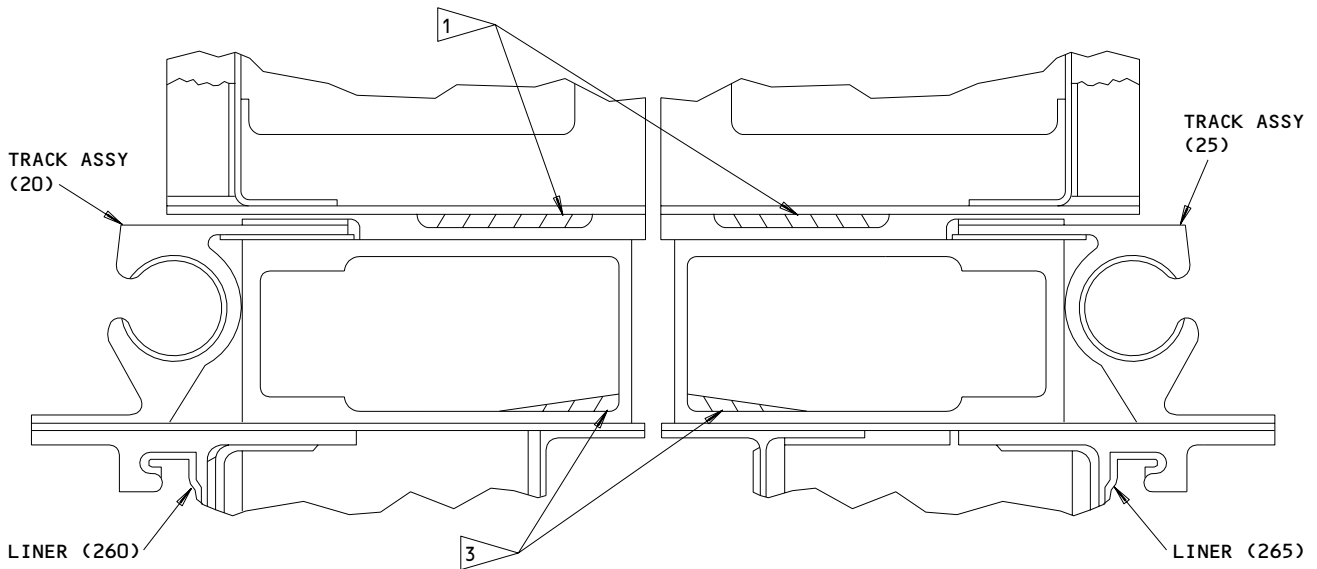
01



D-D  
 (ROTATED 90° CW)



E-E  
 (ROTATED 90° CCW)



F-F  
 (ROTATED 180° CW)

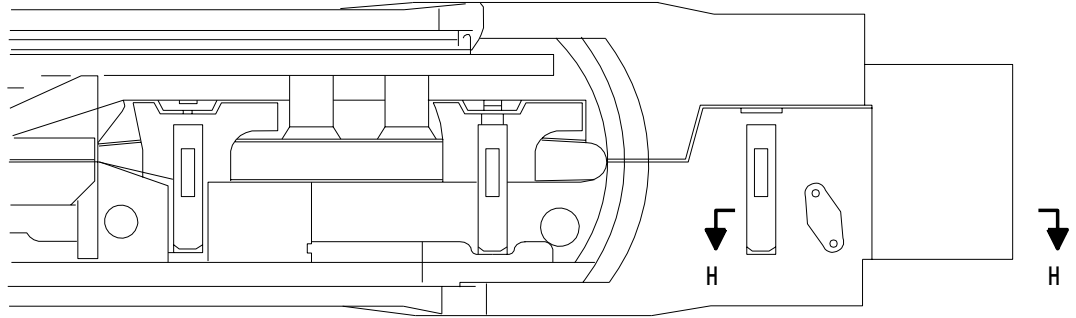
Application of Leveling Compound  
 Figure 702 (Sheet 4)

**71-11-31**

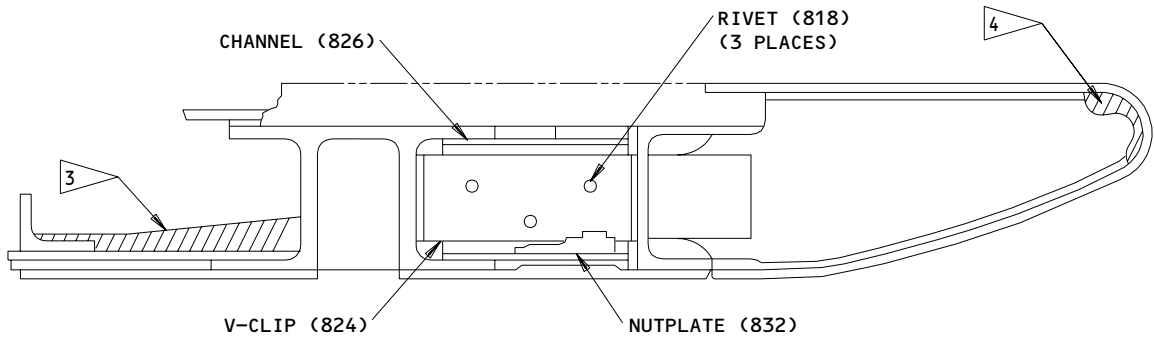
ASSEMBLY  
 Page 708  
 Jul 10/83

01





G-G  
(ROTATED 90° CW)



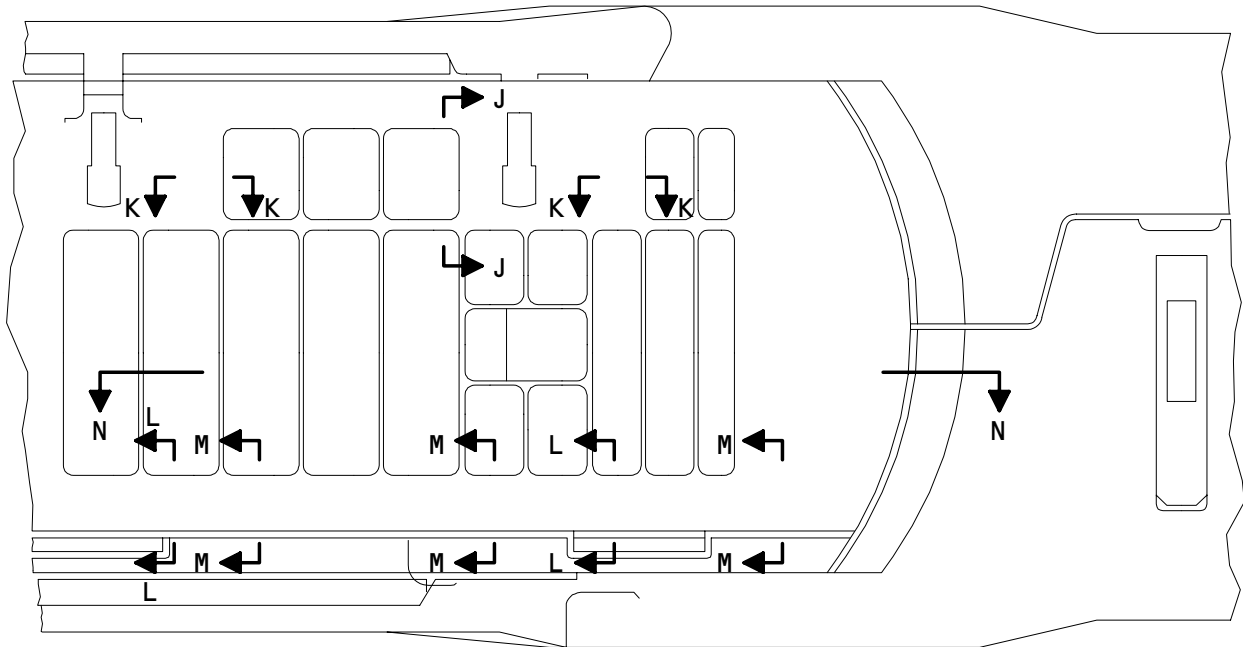
H-H

Application of Leveling Compound  
Figure 702 (Sheet 5)

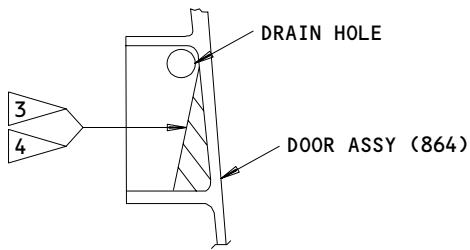
**71-11-31**

ASSEMBLY  
Page 709  
Jul 10/83

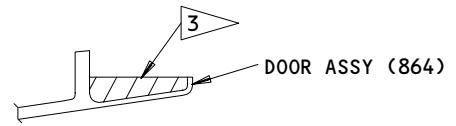
01



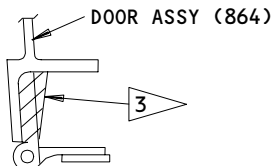
I-I



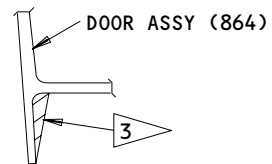
J-J



K-K



L-L



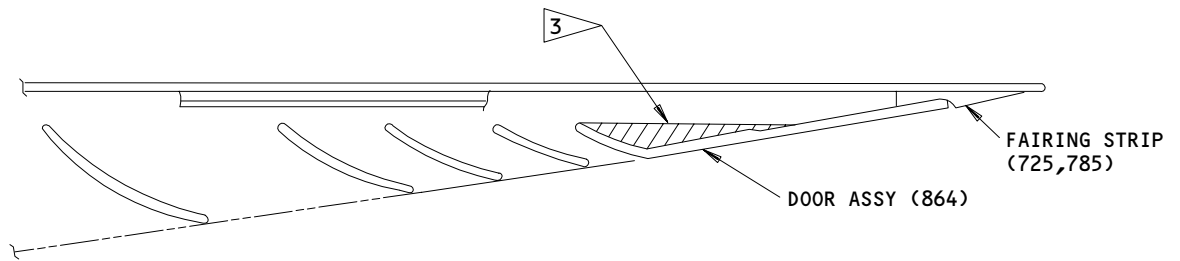
M-M

Application of Leveling Compound  
 Figure 702 (Sheet 6)

**71-11-31**

ASSEMBLY  
 Page 710  
 Jul 10/83

01



N-N

Application of Leveling Compound  
 Figure 702 (Sheet 7)

59510

E. Assembly of Duct Installation (IPL Fig. 6).

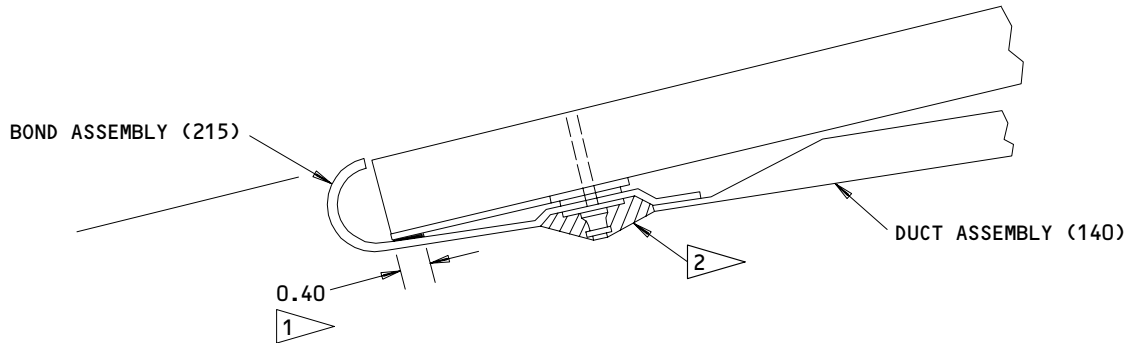
- (1) Adjust thickness of shims (15, 25, 35, 80) to meet aerodynamic smoothness requirements shown in Fig. 708.
- (2) Apply BMS 5-63 sealant to shims (15, 25, 35, 45, 55, 65, 80, 230) and install.
- (3) Just prior to installing inlet duct assembly (140) run a bead of BMS 5-63 sealant 0.15 inch high. Bead of sealant to be placed on inlet duct assembly as shown in Fig. 703.
- (4) Install bolts (5) with wet BMS 5-63 sealant under head and fillet seal collar (10).
- (5) Fill channel groove of lip bond assembly (215) using BMS 5-63 sealant per Fig. 703.

71-11-31

ASSEMBLY  
 Page 711  
 Oct 10/83

01.101

- (6) Seal around the following parts using BMS 5-63: inlet duct assembly (140), inlet moldings (90, 95), and bond assembly (215).



- 1** APPLY BEAD OF SEALANT HERE  
**2** FILL CHANNEL WITH SEALANT

ITEM NUMBERS REFER TO IPL FIG. 6  
 ALL DIMENSIONS ARE IN INCHES

**Installation of Bond Assembly  
 Figure 703**

**F. Assembly of Cowl Assembly (IPL Fig. 1).**

- (1) Apply BMS 10-11, type 1 primer to nutplates (53, 74, 110, 137, 155, 170, 188, 200, 200A, 230, 242, 254, 257, 269, 272, 284, 287, 302, 305, 309, 310, 317, 335, 338, 341, 342), omitting primer from threads, and assemble wet.
- (2) Apply BMS 10-11, type 1 primer to tags (59, 86, 89, 122, 123, 143, 161, 176, 194) and assemble wet.

**CAUTION:** DO NOT DRIVE INSTALL RIVETS OR STRUCTURAL DAMAGE COULD RESULT.

- (3) Install rivets (50, 56, 68, 80, 104, 116, 134, 140, 152, 158, 167, 173, 185, 191) by squeeze method only.

59604

**71-11-31**

ASSEMBLY  
 Page 712  
 Sep 01/95

01.1

**BOEING**  
COMPONENT  
MAINTENANCE MANUAL

- (4) Solvent clean and prime countersink and counterbore surfaces of holes for bolts (209A) using BMS 10-11, type 1 primer. Allow primer to dry and apply MIL-C-11796, class 3 corrosion preventive compound to all areas of hole and immediately install bolts.
- (5) Use shims (372) if and as required. Delaminate shims as required to effect 0.010 inch maximum pull-down between the following. Maximum shim thickness 0.063 inch. Apply BMS 10-11, type 1 primer to shims and install wet or dry.
  - (a) Shim (372) between upper bifurcation installations (366, 369) and ring assemblies (753B, 756B, 922, 923).
  - (b) Install bolt (361) and collar (363).
- (6) Apply parting agent to surfaces of torque box installation (565, 570) and ring assembly (753B, 756B, 922, 923) mating with cascade assemblies (44, 44A, 44G, 47, 47A, 47G, 62, 62A, 62B, 65, 65A, 65B, 92, 92A, 92B, 95, 95A, 95B, 98, 98A, 98B, 101, 101A, 101B, 128, 128A, 128B, 131, 131A, 131B, 146, 146A, 146B, 149, 149A, 149B, 164A, 164B, 164C, 179, 179A, 179B, 182, 182A, 182B).
- (7) Locate cascade assemblies on fan duct cowl assembly in positions indicated in Fig. 709.
- (8) Install bolts (37, 38, 40, 41) with wet BMS 5-63 sealant under heads and over nutplates on cascade assemblies.
- (9) Tighten bolts (37, 38, 40, 41) to 72-88 pound-inches.
- (10) Apply removable faying surface seal of BMS 5-63 sealant between support assemblies (125, 125B, 130, 130B, IPL Fig. 8) and upper bifurcation installations (366, 369). Apply parting agent to mating surface of bifurcation installation.
- (11) Just prior to installation of system installations (432, 432A, 432B) apply an intermediate pressure faying surface seal of BMS 5-63 sealant between flange of system installation and wall assemblies (903, 903A, 903B, 906, 906A). Also apply BMS 5-63 sealant between bracket assemblies (540, 545) and wall assembly.
- (12) Electrically bond screw (433), bolt (438), and jumper (444) per 20-11-03, method CM 1. The resistance value shall be 1.0 milliohms.
- (13) Pot and bond gaskets (846, 849) using type 68 adhesive per 20-50-12, flush with outer skin.
- (14) Apply faying surface seal of BMS 5-63 sealant between duct assemblies (894, 894A, 894B, 897) and wall assemblies (903, 903A, 903B, 906, 906A). Center duct assembly in cutout to within 0.01 inch.

**71-11-31**01.1 ASSEMBLY  
Page 713  
Jul 01/03

- (15) Install shims (825, 826) at bolt locations as required to meet flushness requirements of Fig. 708.
- (16) Fill gaps 0.05 inch or greater between wall assemblies (903, 903A, 903B, 906, 906A) and duct assemblies (894, 894A, 894B, 897) using BMS 5-63 sealant.
- (17) Adjust thickness of shim (804) to meet aerodynamic smoothness requirements per Fig. 708.
- (18) Bond end joints of seals (10 thru 73B, IPL Fig. 8) using type 60 adhesive per 20-50-12.
- (19) Seal open areas and fill gaps in seal installations (430A, 430C, 431A, 431C) using BMS 5-63C, class B-4.

G. Installation of Seal Installation (IPL Fig. 5)

- (1) Squeeze or drive rivet (70) with low force.
- (2) Cut seal (35) to size and bond in place using type 68 or 60 adhesive per 20-50-12.
- (3) Bond pad (185) to spacer (180) using type 68 adhesive per 20-50-12. Optional: use type 60 adhesive per 20-50-12 or RTV 157 adhesive were applicable.
- (4) Bond plug (95) to seal (105) per step (3).
- (5) Trim seal (15) and seal assembly (190, 195) as required to match structure.
- (6) Trim seal assembly (85, 90) to match adjacent seals.
- (7) Bond the following to contacting structure using type 68 or 60 adhesive per 20-50-12: Cover (50), seals (15, 20, 25, 30, 35, 40, 45, 45A, 45B, 53, 60, 65, 105, 110, 155B, 155C, 160B, 160C, 205, 210), and seal assemblies (85, 90, 115A, 115B, 120A, 120B, 175, 190, 195).
- (8) Fillet seal any openings between seal (55) and structure using type 68 or 60 adhesive per 20-50-12.

**CAUTION:** DO NOT CLOSE OPENING IN SEAL ASSEMBLY (85, 90) WHEN BONDING TO ADJACENT SEAL. THIS IS A VENT FOR THE BULB SEAL TO ALLOW FOR CHANGES IN AIR PRESSURE.

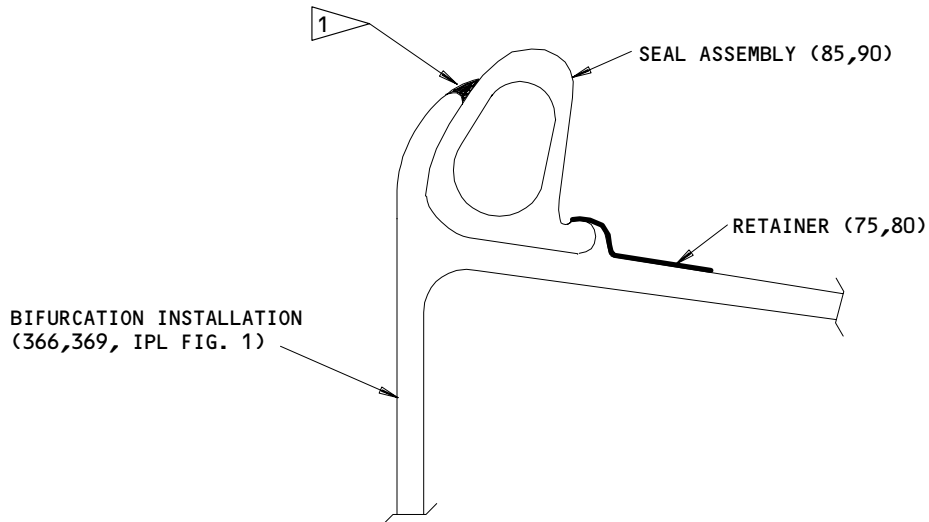
- (9) Apply faying surface seal of BMS 5-63 sealant between seal assemblies (115, 115A, 120A, 120B) and contacting structure.

**71-11-31**

ASSEMBLY  
Page 714  
Jun 01/95

01.101

- (10) Install bolt (125) using wet BMS 5-63 sealant under bolthead and fillet seal collar (130).
- (11) Apply fillet bond using type 68 adhesive per 20-50-12 between seal (60) and seal assemblies (115, 115A, 120A, 120B). Apply similar fillet bond as shown in Fig. 704.



**1** FILLET BOND SEAL ASSEMBLY TO STRUCTURE USING TYPE 68 ADHESIVE AS SHOWN IN SOPM 20-50-12

ITEM NUMBERS REFER TO IPL FIG. 5 UNLESS SHOWN DIFFERENTLY

Bonding of Seal  
 Figure 704

H. Install all fasteners exposed to airflow as follows:

- (1) Hi-Lok fasteners and lockbolt head protrusions are to be:
- (a) 90% must be flush within +0.005 to -0.003 inch.
  - (b) 10% must be flush within +0.007 to -0.005 inch.
- (2) All countersunk screws and bolts shall have head protrusions within +0.005 to -0.010 inch.
- (3) Shear head rivets (BACR15CE) are to be driven as follows:
- (a) 90% must be flush within +0.005 to -0.000 inch.
  - (b) 10% may be flush within +0.007 to -0.005 inch.

**71-11-31**

ASSEMBLY  
 Page 715  
 Sep 01/95

01.1

(4) All flush aluminum alloy rivets shall be driven with head protrusion within +0.007 to -0.001 inch.

I. Install all fasteners passing through composite panels with wet BMS 5-63 sealant under heads and fillet seal collars.

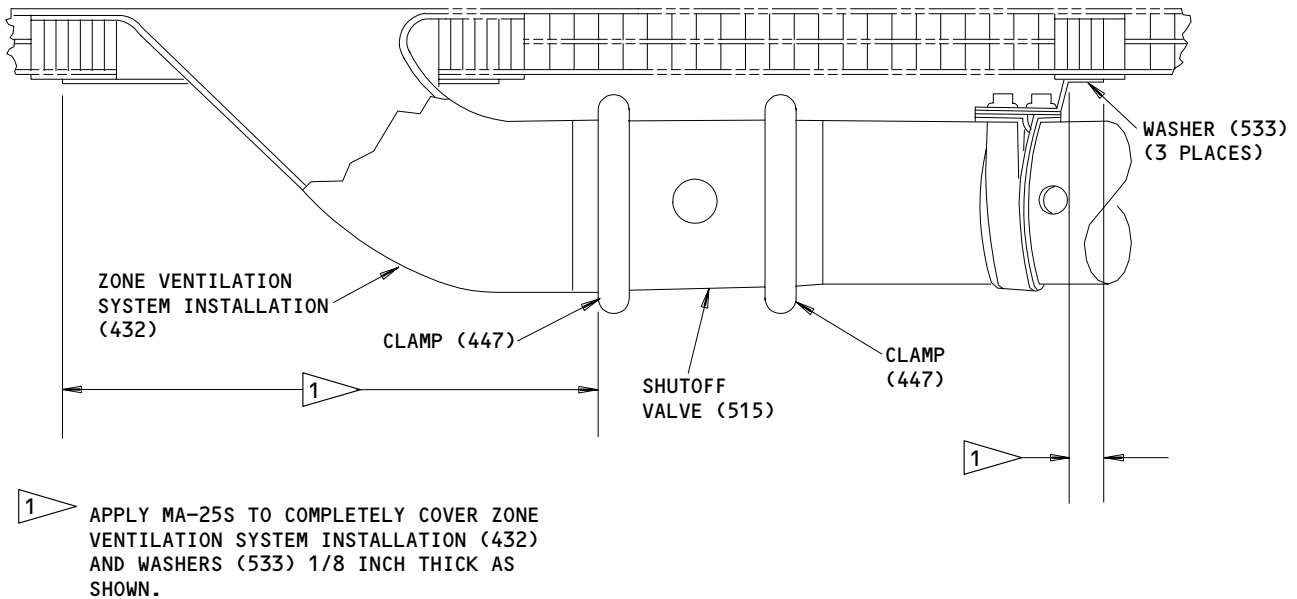
J. Apply MA-25S ablative coating as follows:

**CAUTION:** DO NOT COVER DRAIN HOLE.

(1) Apply to zone ventilation system installations (432, 432A, 432B) per Fig. 705.

**CAUTION:** DO NOT COVER DRAIN HOLE.

(2) Apply to completely cover exterior surface of flange of duct installation (783). One-eighth inch thick overspray on duct permissible.



Application of Ablative Coating  
 Figure 705

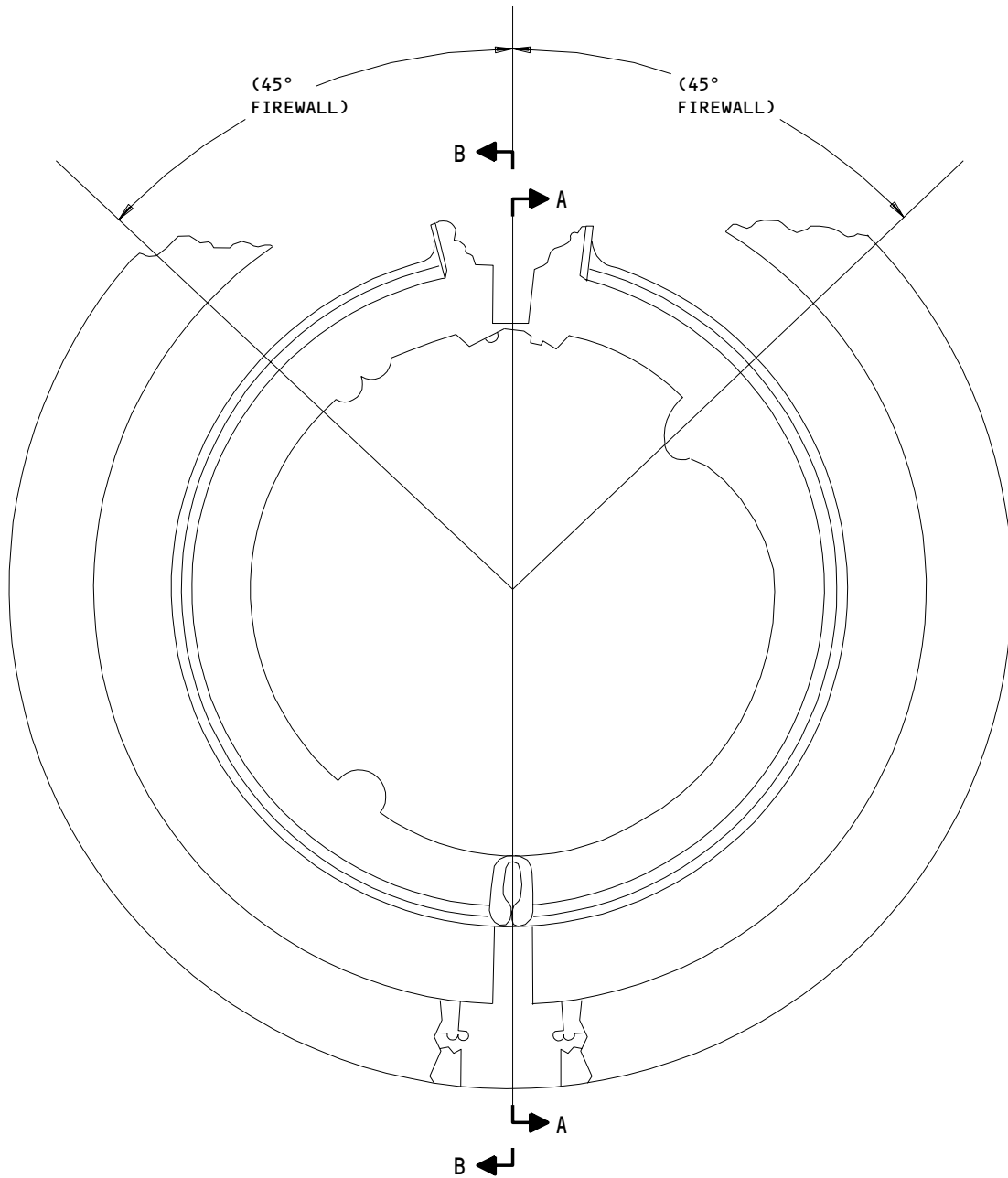


- K. Apply MA-25S ablative coating to fully assembled Fan Duct Cowl per Fig. 706 and the following:
- (1) Application of MA-25S in restricted areas:
    - (a) Components mating within 3/16 inch after application of MA-25S may have close mating areas filled with MA-25S.
    - (b) Deep narrow pockets may also be filled.
  - (2) Application of MA-25S in areas of system attachments: ducts, hangers, clips, etc.
    - (a) In the case of precoated systems overspray attachments to effect a continuous layer of MA-25S.
    - (b) In the case of uncoated systems overspray 1-2 inches beyond honeycomb base structure.
    - (c) The thickness of MA-25S shall be the precoated thickness or the typical thickness in the area.
  - (3) Application of MA-25S on inside corners may have up to 3 times the typical thickness.

**71-11-31**

01

ASSEMBLY  
Page 717  
Jul 10/83



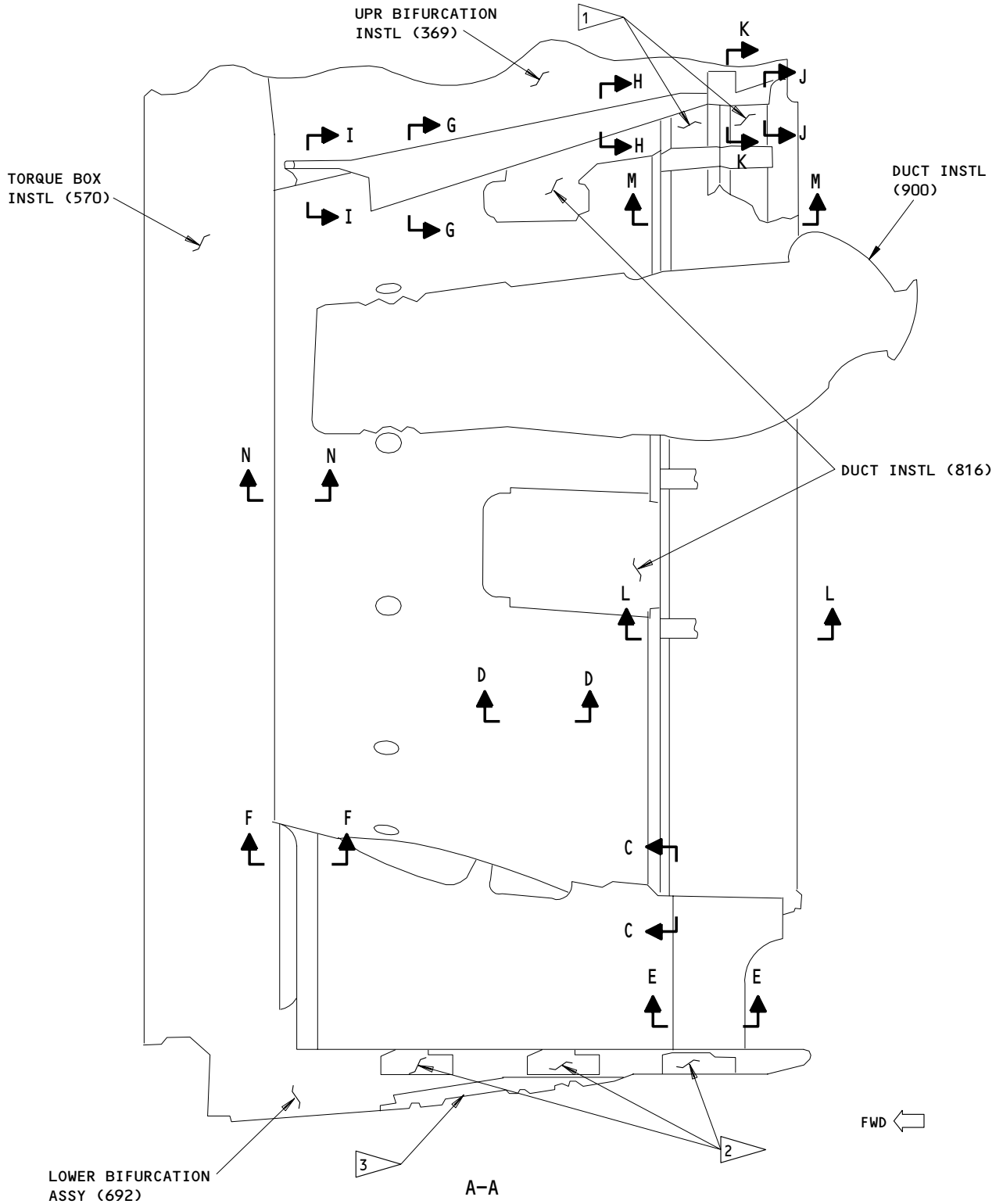
Application of MA-25S  
Insulating and Ablative Coating  
Figure 706 (Sheet 1)

**71-11-31**

ASSEMBLY  
Page 718  
Jul 10/83

01

59607

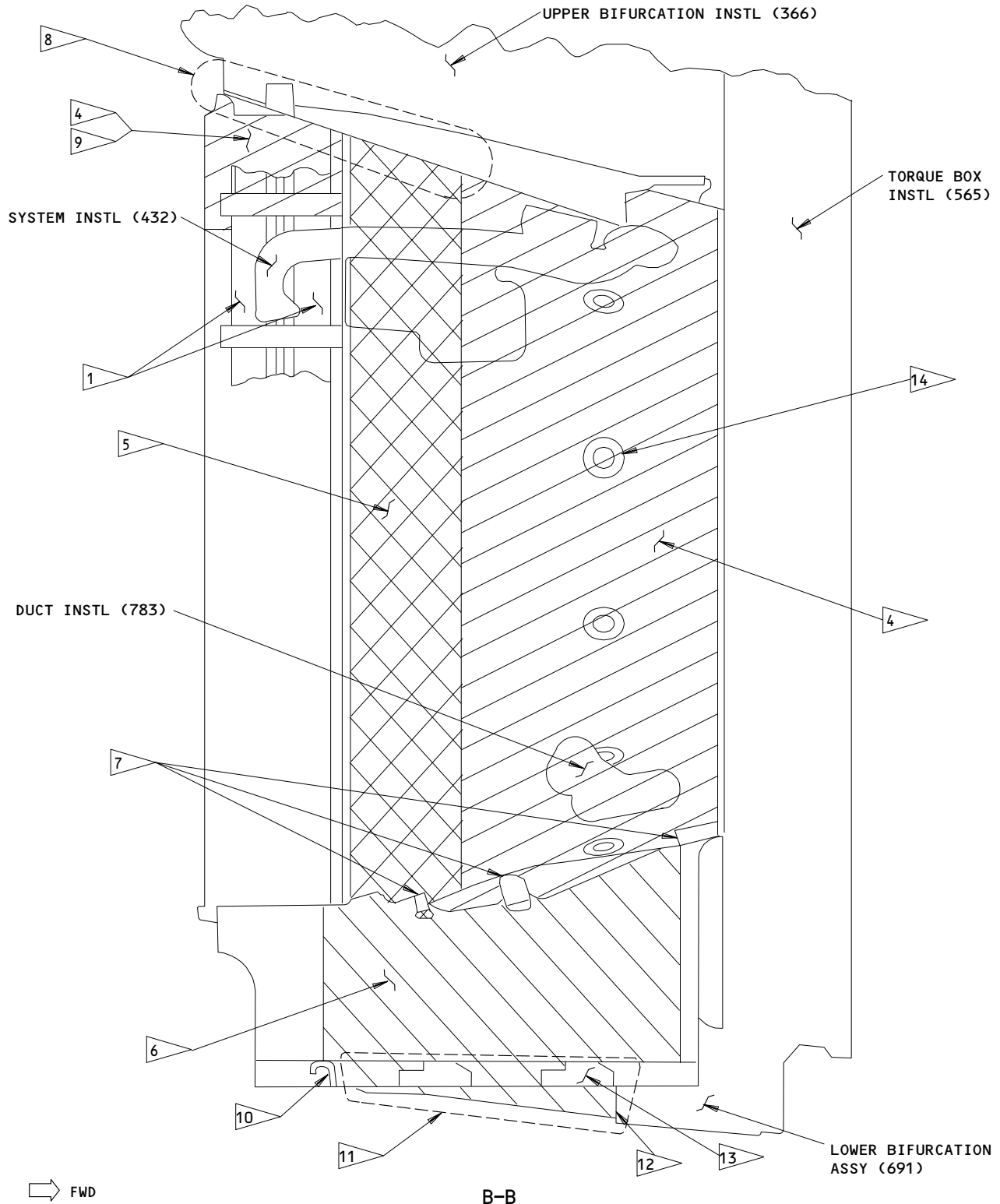


Application of MA-25S  
Insulating and Ablative Coating  
Figure 706 (Sheet 2)

**71-11-31**

ASSEMBLY  
Page 719  
Jul 10/83

01



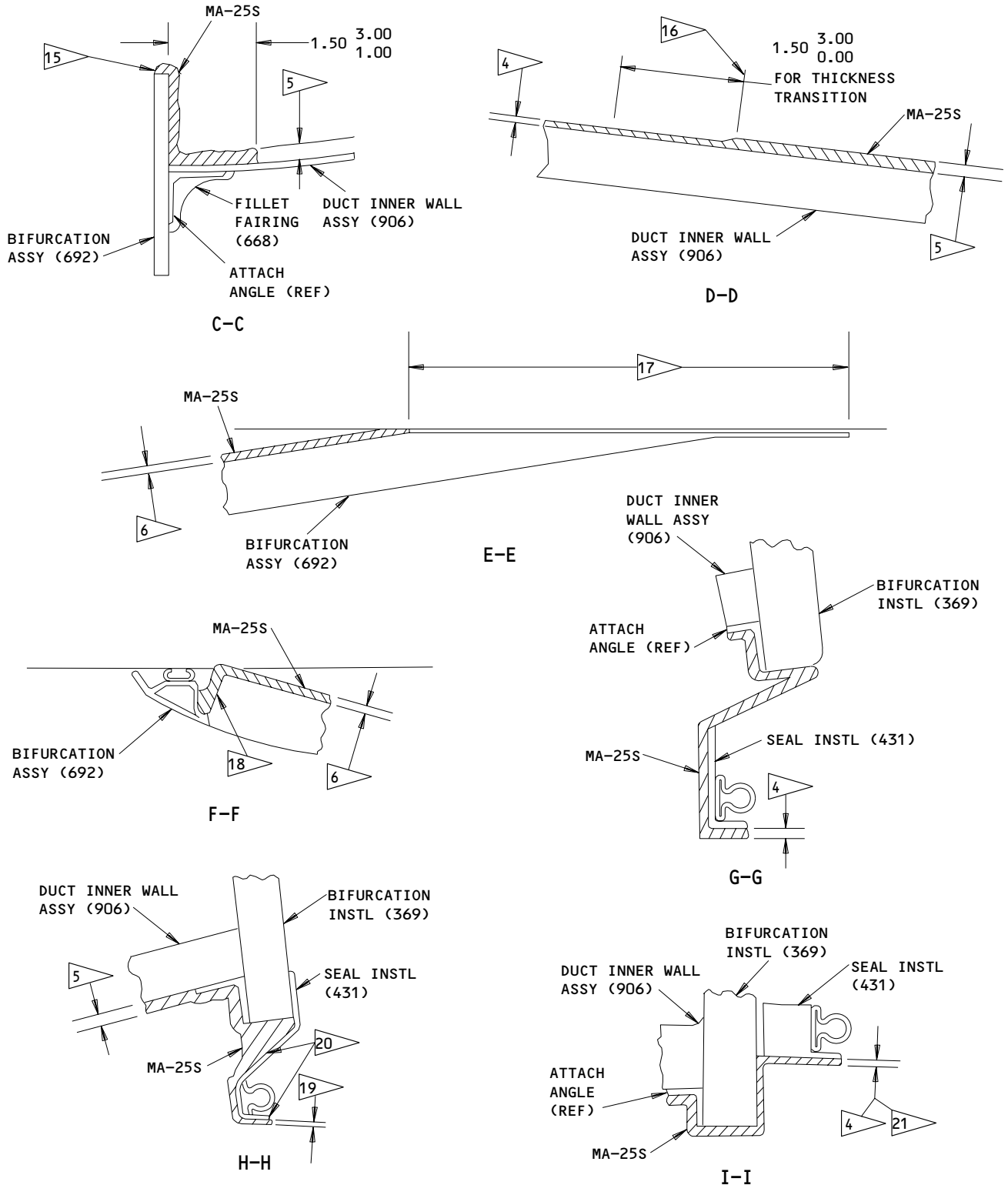
Application of MA-25S  
 Insulating and Ablative Coating  
 Figure 706 (Sheet 3)

**71-11-31**

ASSEMBLY  
 Page 720  
 Jul 10/83

01

**BOEING**  
**COMPONENT**  
**MAINTENANCE MANUAL**



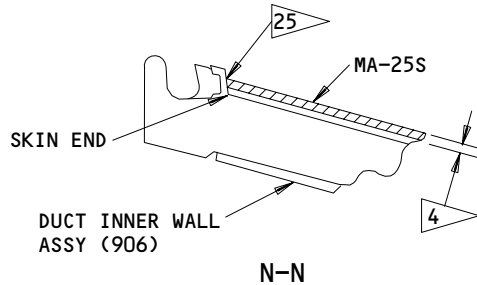
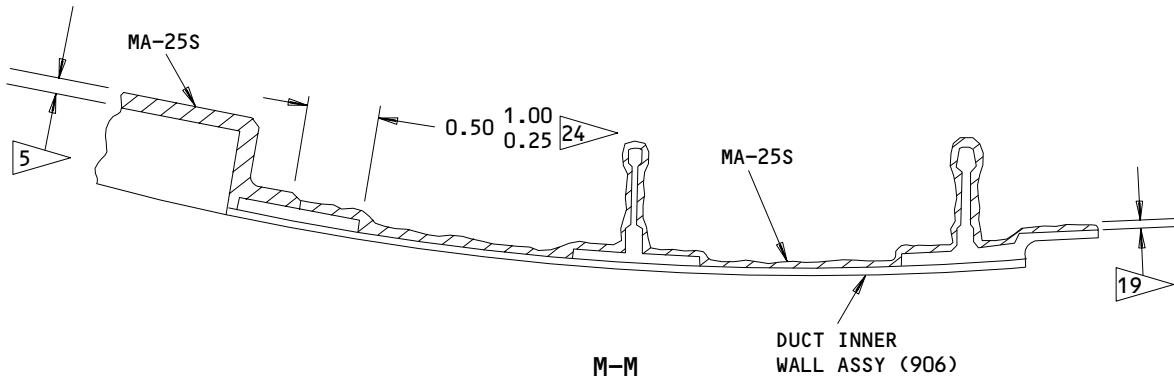
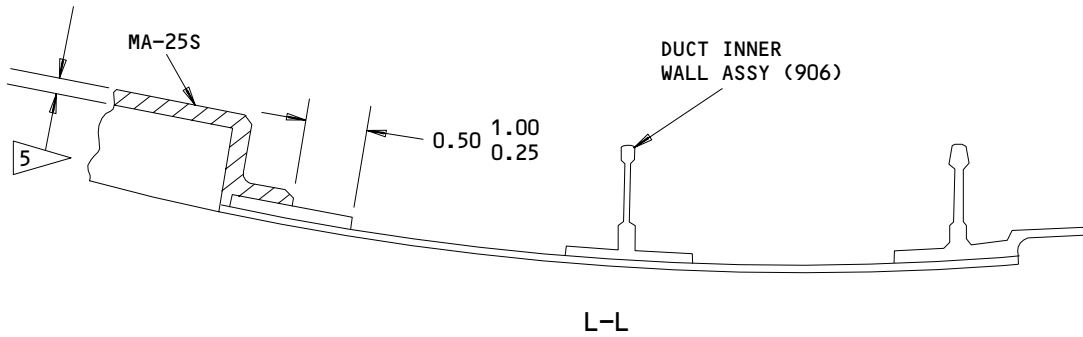
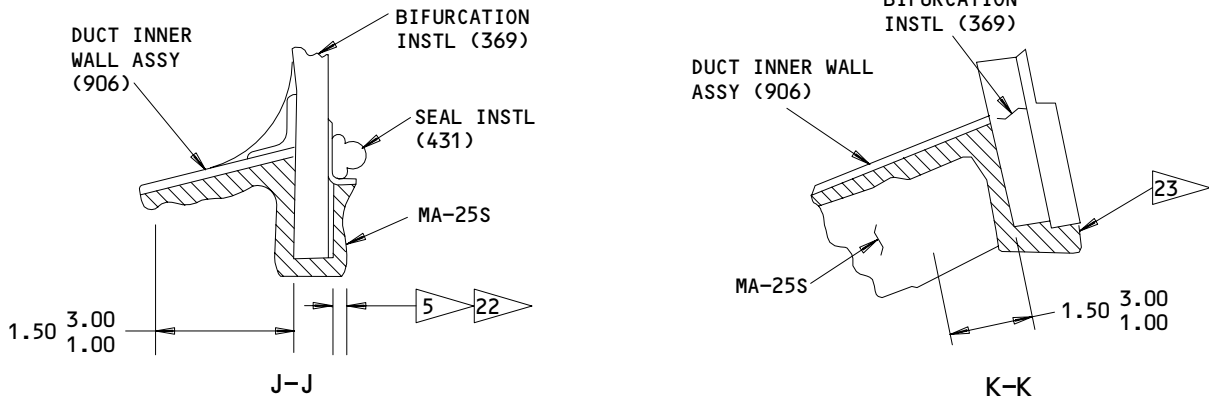
ALL DIMENSIONS ARE IN INCHES

Application of MA-25S  
 Insulating and Ablative Coating  
 Figure 706 (Sheet 4)

**71-11-31**

ASSEMBLY  
 Page 721  
 Jul 10/83

01



ALL DIMENSIONS ARE IN INCHES

Application of MA-25S  
 Insulating and Ablative Coating  
 Figure 706 (Sheet 5)

**71-11-31**

ASSEMBLY  
 Page 722  
 Jul 10/83

01


**BOEING**  
 COMPONENT  
 MAINTENANCE MANUAL
**FLAG NOTES**

**NOTE:** ITEM NUMBERS APPLY TO IPL FIG. 1 UNLESS OTHERWISE STATED.

- |  |   |
|--|---|
| <p>1 ▷ STEEL SKIN DO NOT APPLY MA-25S</p> <p>2 ▷ DO NOT APPLY MA-25S TO MATING FACES OF LATCHES (530, IPL FIG. 4) AND SHEAR PIN (355, IPL FIG. 4) MOUNTINGS OR MASK AREA TO MATCH ON OPPOSITE HAND COWL ASSY'S. MA-25S WILL NOT BE PRESENT ON LATCH HANDLES AND MECHANISM.</p> <p>3 ▷ DO NOT APPLY MA-25S TO EXHAUST DOOR ASSY (864, IPL FIG. 4) OF LOWER BIFURCATION ASSY (692).</p> <p>4 ▷ 0.110-0.090 INCH THICKNESS TYPICAL</p> <p>5 ▷ 0.225-0.185 INCH THICKNESS TYPICAL</p> <p>6 ▷ 0.150-0.125 INCH THICKNESS TYPICAL</p> <p>7 ▷ DO NOT APPLY MA-25S TO MATING FACES OF COMPRESSION PADS</p> <p>8 ▷ AREA OF THICKNESS EXCEPTION</p> <p>9 ▷ MA-25S THIS AREA OF UPPER 45° FIREPROOF BARRIER</p> <p>10 ▷ APPLY MA-25S TO FORWARD SURFACES OF LATCH (360, IPL FIG. 4) AND SHEAR PIN (325, IPL FIG. 4) MOUNTING. DO NOT APPLY AFT OF MOUNTING.</p> <p>11 ▷ APPLY MA-25S TO ALL EXPOSED SURFACES IN AREA INDICATED. DO NOT PLUG OR OBSTRUCT DRAIN PATHS.</p> <p>12 ▷ APPLY MA-25S TO AFT SIDE OF INTERCOSTAL. DO NOT APPLY FWD OF INTERCOSTAL.</p> <p>13 ▷ DO NOT APPLY MA-25S TO AREA MATCHING THE MATING FACES OF THE LATCH (530, IPL FIG. 4) AND SHEAR PIN (355, IPL FIG. 4) MOUNTINGS.</p> <p>14 ▷ MASK OFF SUITABLE AREA FOR INSTALLATION OF LINK FITTING ASSEMBLIES (315T3102, 315T3103) REFERENCE CMM 78-31-11 FAN DUCT COWL AND THRUST REVERSER ASSEMBLY (6 PLACES)</p> | <p>15 ▷ MAINTAIN THICKNESS ALONG TOP OF PANEL</p> <p>16 ▷ APPROXIMATELY 33.5 INCHES FROM FORWARD END OF COWL ASSEMBLY</p> <p>17 ▷ DO NOT APPLY MA-25S TO FLAT AREA</p> <p>18 ▷ END MA-25S BETWEEN SEAL RETAINER AND HONEYCOMB CORE</p> <p>19 ▷ 0.075-0.063 INCH THICKNESS TYPICAL</p> <p>20 ▷ THICKNESS OF 0.075-0.063 ON SEAL SUPPORT AS LONG AS PANELS OF DUCT INNER WALL ASSEMBLY (906) AND BIFURCATION INSTALLATION (369) ARE COVERED AND LENGTH OF SEAL SUPPORT IS COMPATIBLE</p> <p>21 ▷ DO NOT APPLY MA-25S BEYOND THE END OF THE PROTRUDING FLANGE BELOW SEAL (10, IPL FIG. 7)</p> <p>22 ▷ THICKNESS CONTINUES AFT OVER BOTTOM OF PANEL AS SHOWN</p> <p>23 ▷ COMPRESSION PAD ASSEMBLY (375, IPL FIG. 2) BREAKS SEAL. APPLY MA-25S ON BOTTOM OF PAD ASSEMBLY</p> <p>24 ▷ END OF 0.185 INCH THICKNESS AS SHOWN. 0.063 INCH THICKNESS OF MA-25S FOR FIREWALL IN THIS AREA</p> <p>25 ▷ END MA-25S BETWEEN AFT SIDE OF INTEGRAL SEAL RETAINER AND FORWARD OF SKINS</p> |
|--|---|

Application of MA-25S  
 Insulating and Ablative Coating  
 Figure 706 (Sheet 6)

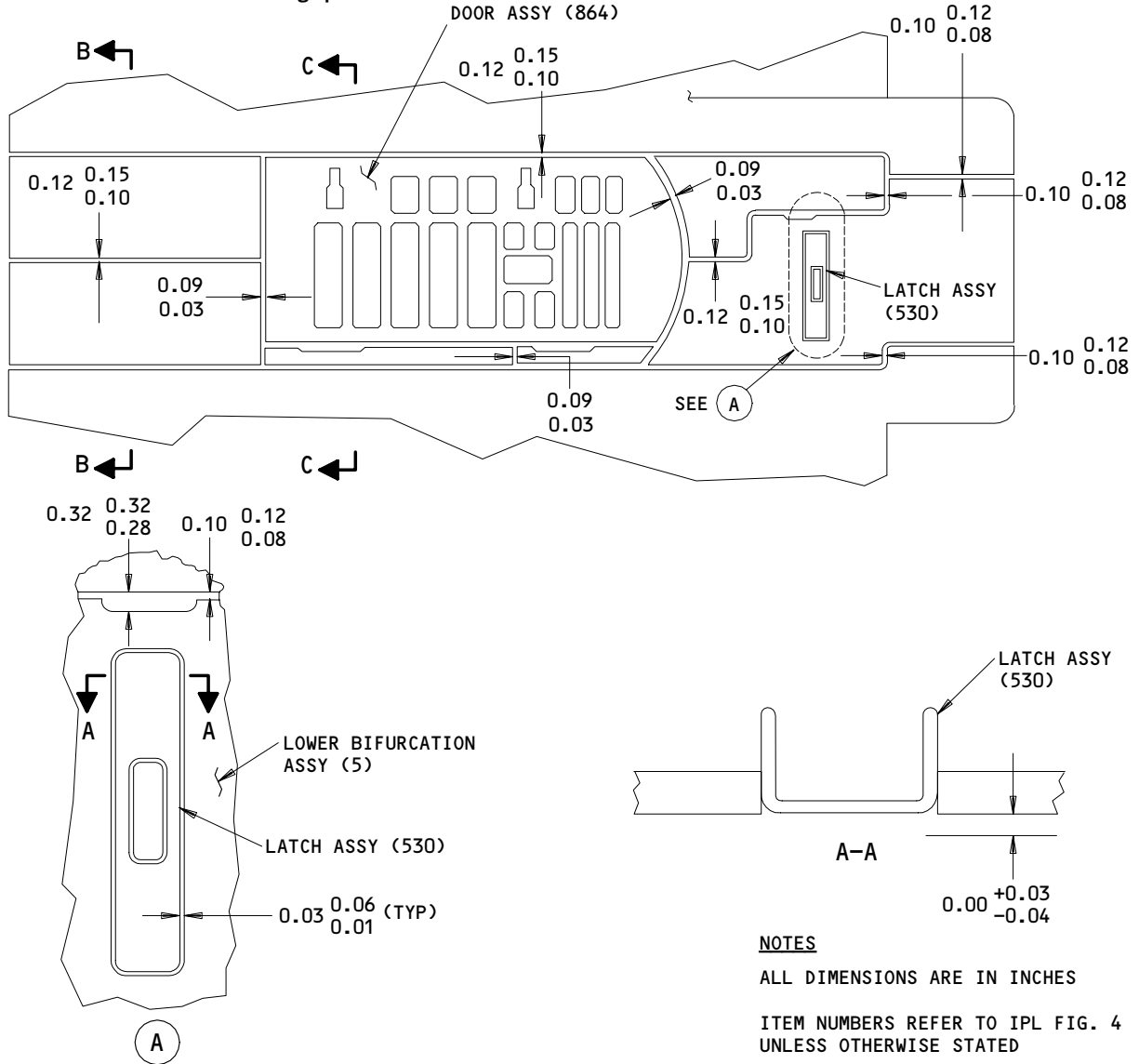
**71-11-31**

ASSEMBLY  
 Page 723  
 Jul 10/83

01

L. See Fig. 707 and 708 for aerodynamic smoothness requirements.

M. Fill all fixed skin gaps flush with BMS 5-63 sealant.



Aerodynamic Smoothness Requirements  
 Figure 707 (Sheet 1)

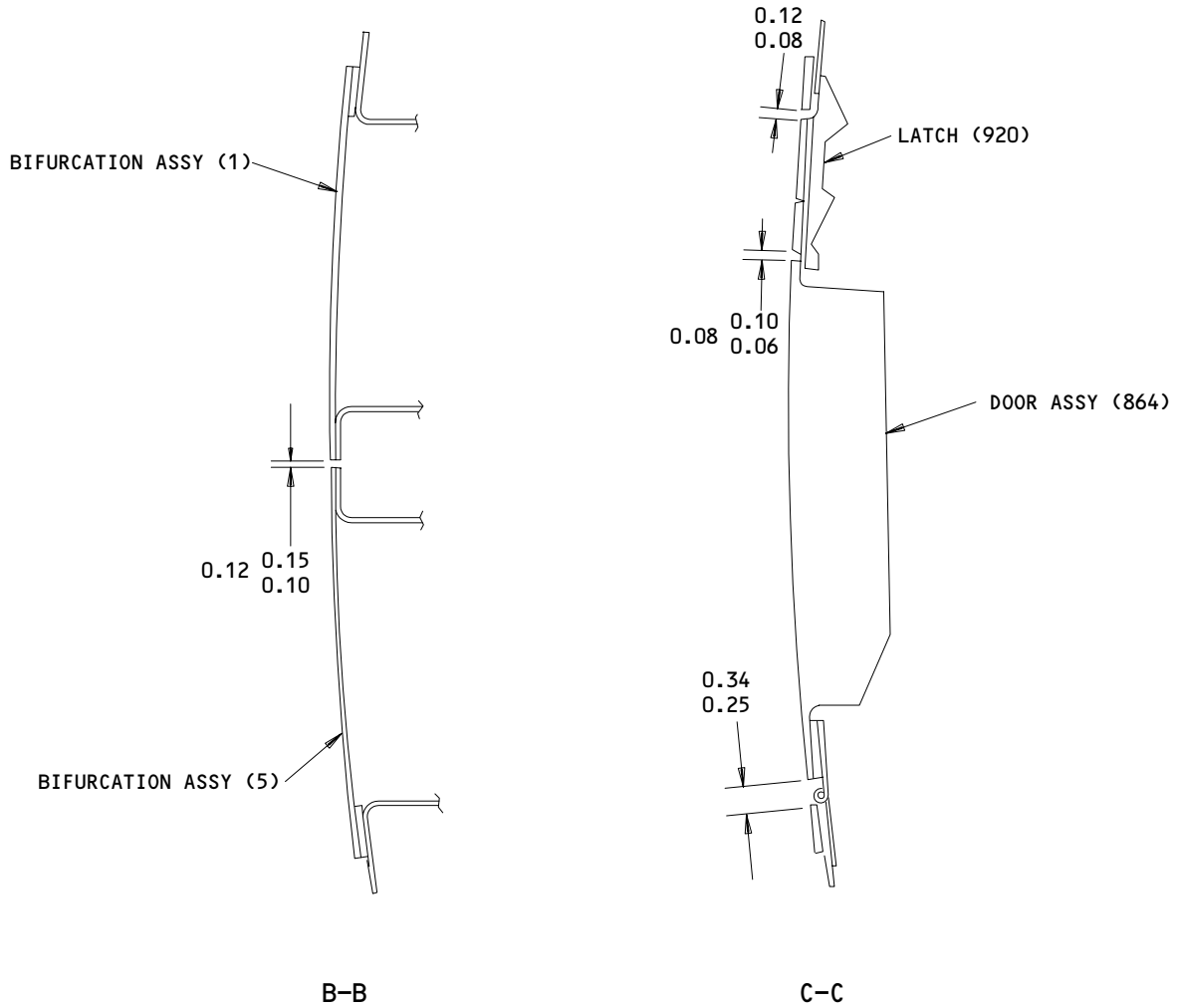
59612

**71-11-31**

ASSEMBLY  
 Page 724  
 Jul 10/83

01.1



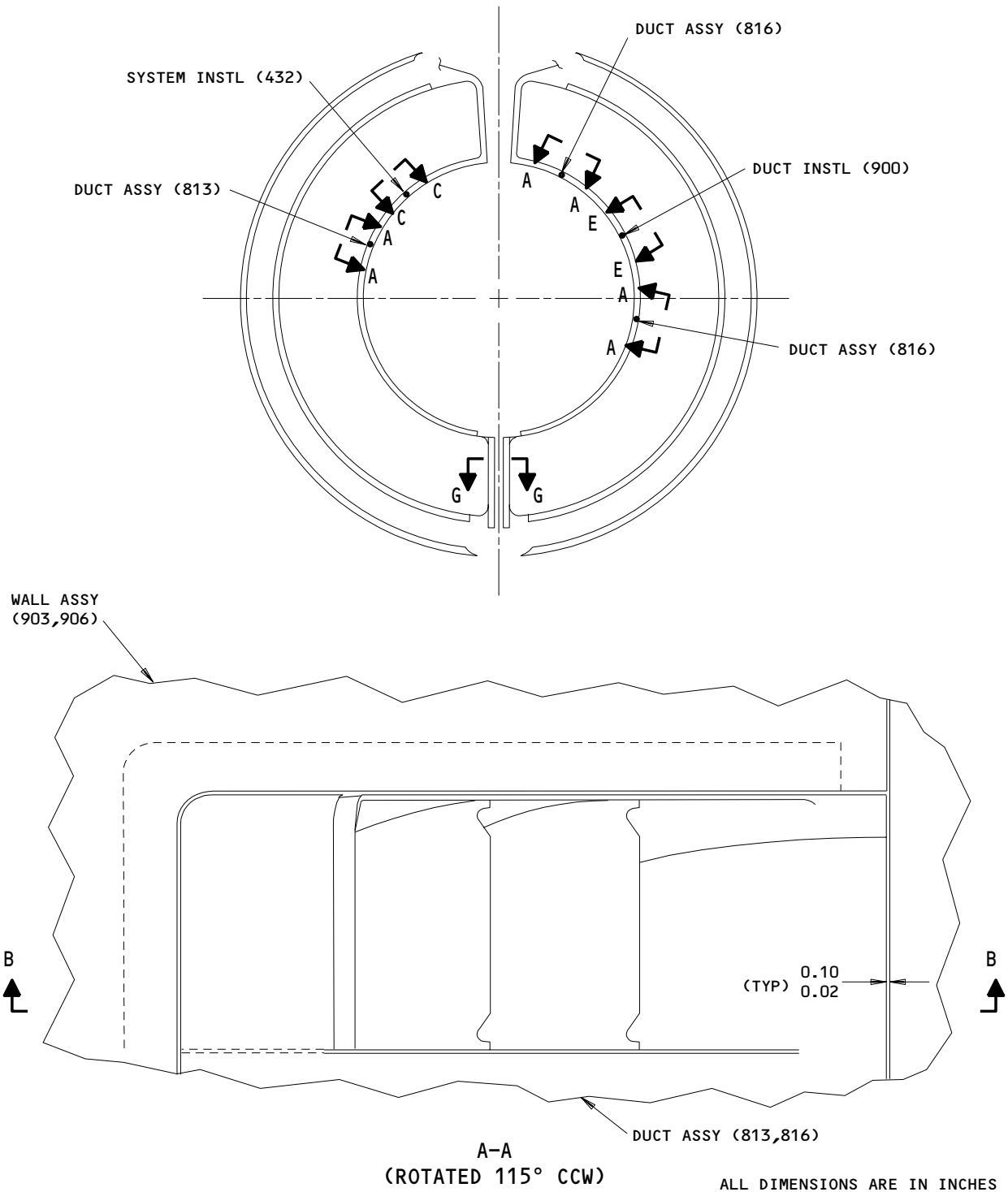


ALL DIMENSIONS ARE IN INCHES

Aerodynamic Smoothness Requirements  
Figure 707 (Sheet 2)

**71-11-31**

01 ASSEMBLY  
Page 725  
Jul 10/83

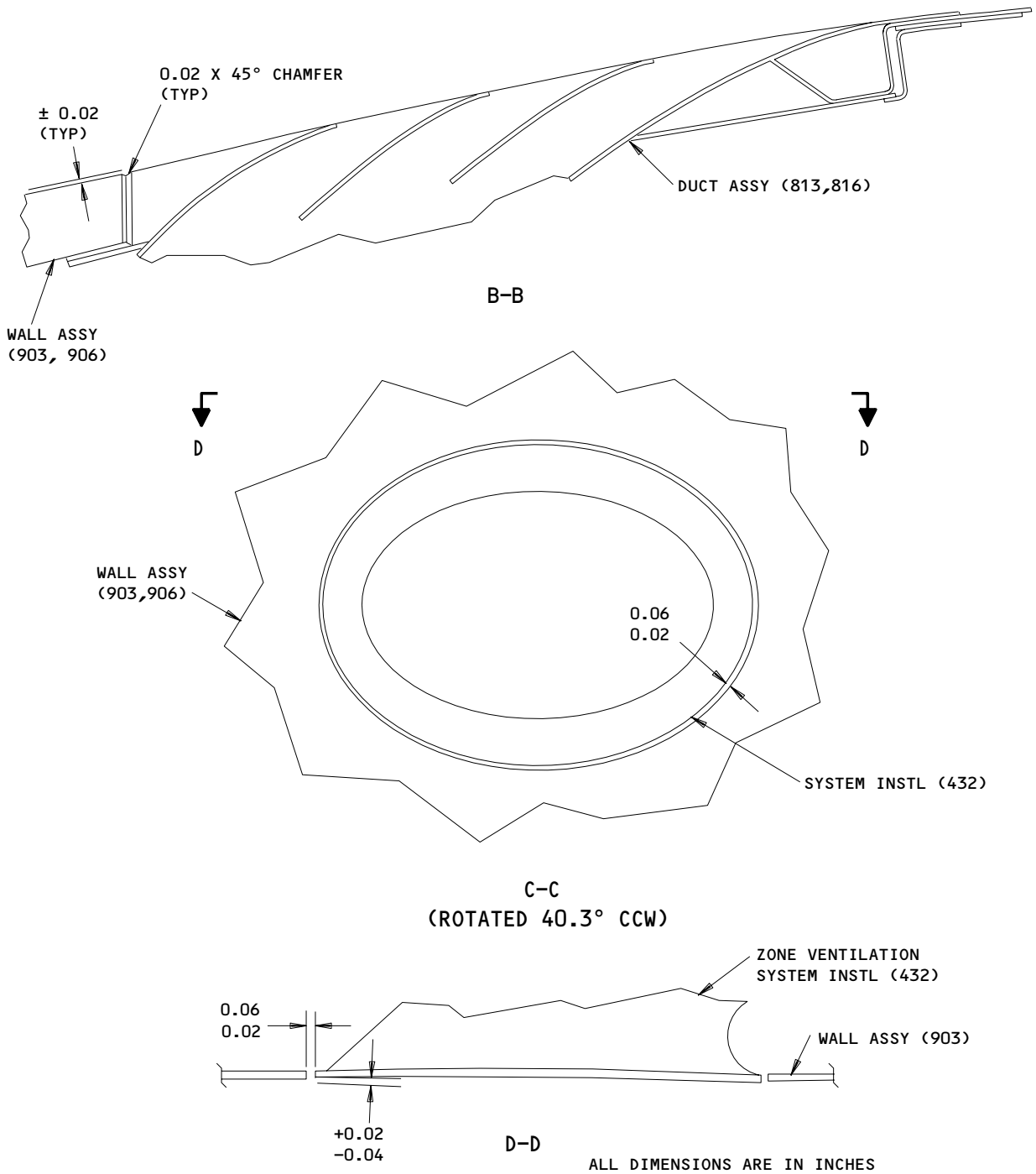


Aerodynamic Smoothness Requirements  
 Figure 708 (Sheet 1)

**71-11-31**

ASSEMBLY  
 Page 726  
 Jul 10/83

01

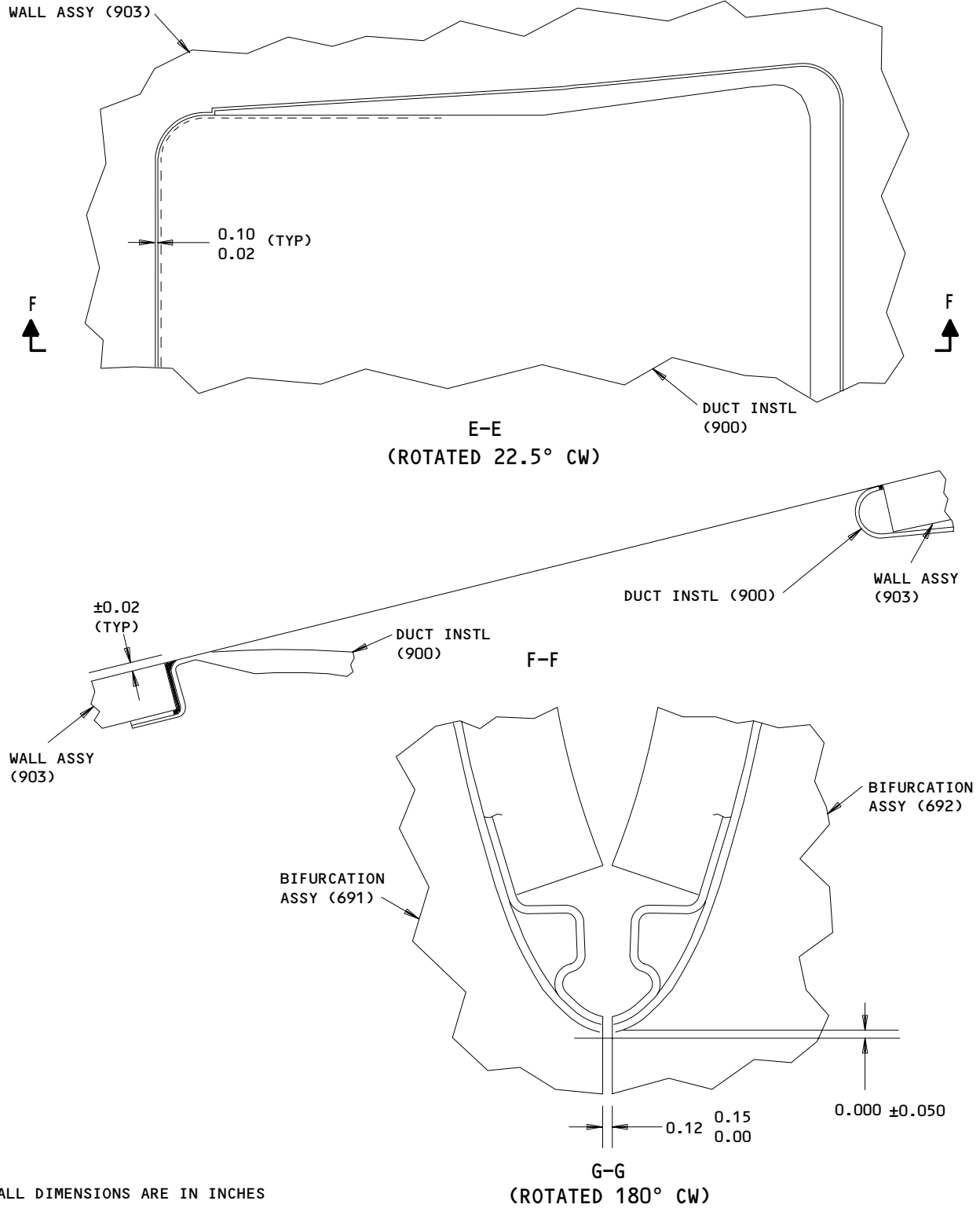


Aerodynamic Smoothness Requirements  
Figure 708 (Sheet 2)

71-11-31

ASSEMBLY  
Page 727  
Jul 10/83

01



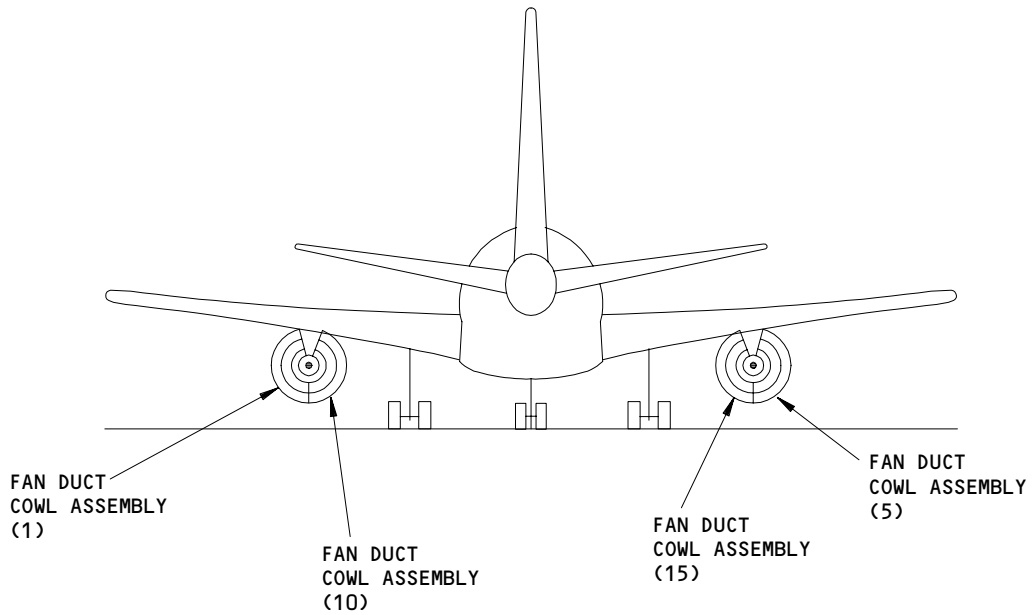
ALL DIMENSIONS ARE IN INCHES

Aerodynamic Smoothness Requirements  
 Figure 708 (Sheet 3)

**71-11-31**

ASSEMBLY  
 Page 728  
 Jul 10/83

01



REFERENCE VIEW ONLY TO SHOW AIRCRAFT POSITION

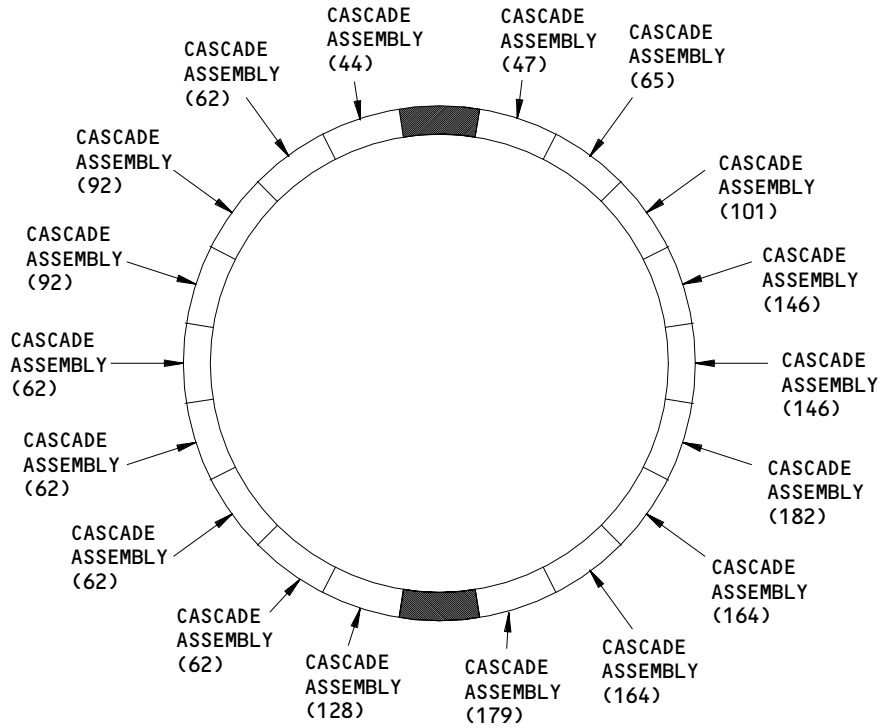
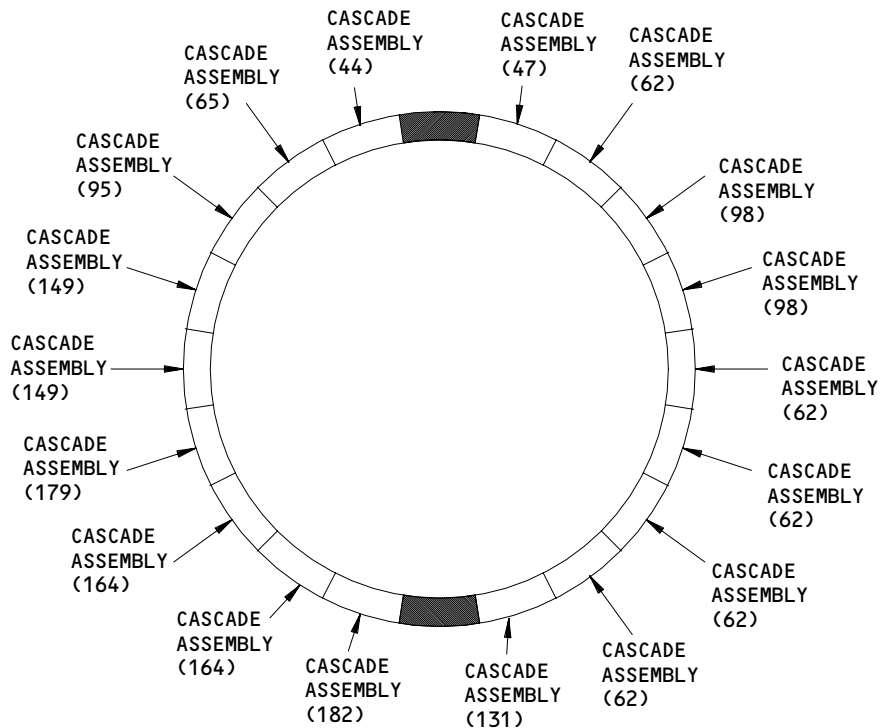
ITEM NUMBERS REFER TO IPL FIG. 1

Cascade Arrangement  
Figure 709 (Sheet 1)

**71-11-31**

ASSEMBLY  
Page 729  
Jun 01/95

01.1

**COMPONENT  
MAINTENANCE MANUAL**

**LEFT SIDE FAN DUCT COWL  
(REAR VIEW)**

**RIGHT SIDE FAN DUCT COWL ASSEMBLY  
(REAR VIEW)**

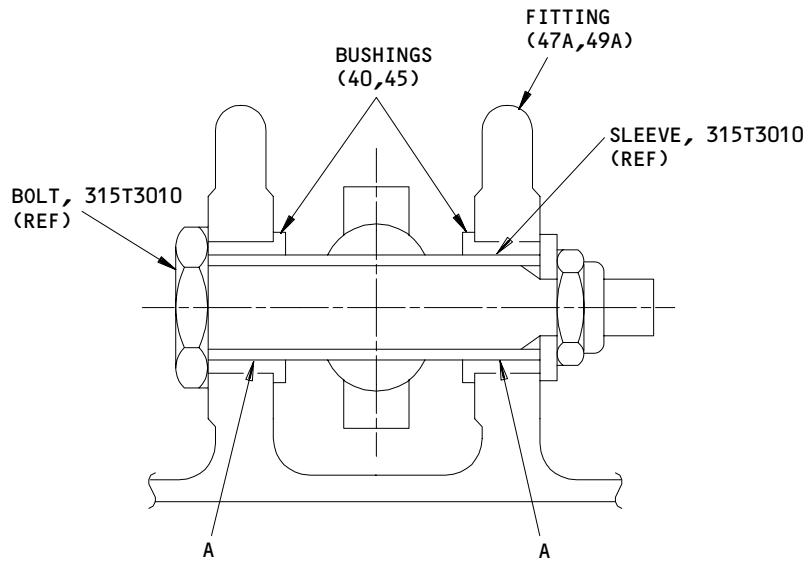
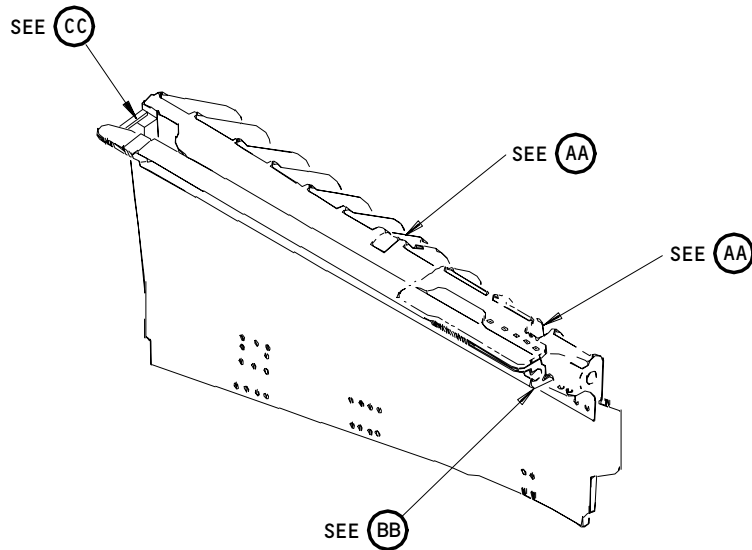
ITEM NUMBERS REFER TO IPL FIG. 1

**Cascade Arrangement  
Figure 709 (Sheet 2)**
**71-11-31**

 ASSEMBLY  
Page 730  
Jun 01/95

01.1

**BOEING**  
 COMPONENT  
 MAINTENANCE MANUAL  
FITS AND CLEARANCES



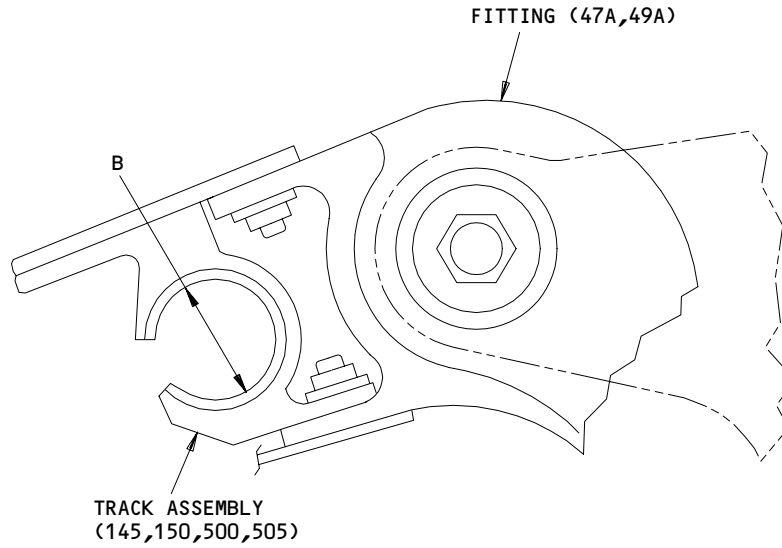
(AA)

ITEM NUMBERS REFER TO IPL FIG. 2

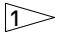
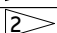
Fits and Clearances  
Figure 801 (Sheet 1)

71-11-31

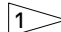
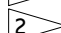
FITS AND CLEARANCES  
01.1 Page 801  
Dec 01/95



BB

REF LETTER	REF IPL	DESIGN DIMENSION*				SERVICE WEAR LIMIT*		
	FIG. 2, MATING ITEM NO.	DIMENSION		ASSEMBLY CLEARANCE		DIMENSION		MAXIMUM CLEARANCE
		MIN	MAX	MIN	MAX	MIN	MAX	
A	ID 40,45	0.7495	0.7505	0.0005	0.0020	0.7470	0.7525	0.0040
	OD 	0.7485	0.7490					
B	ID 	1.120	1.130				1.140	

\* ALL DIMENSIONS ARE IN INCHES

-  315T3010, SLEEVE (REF)
-  ITEM 180,185,540,545  
REPLACE LINER INSIDE OF TRACK.

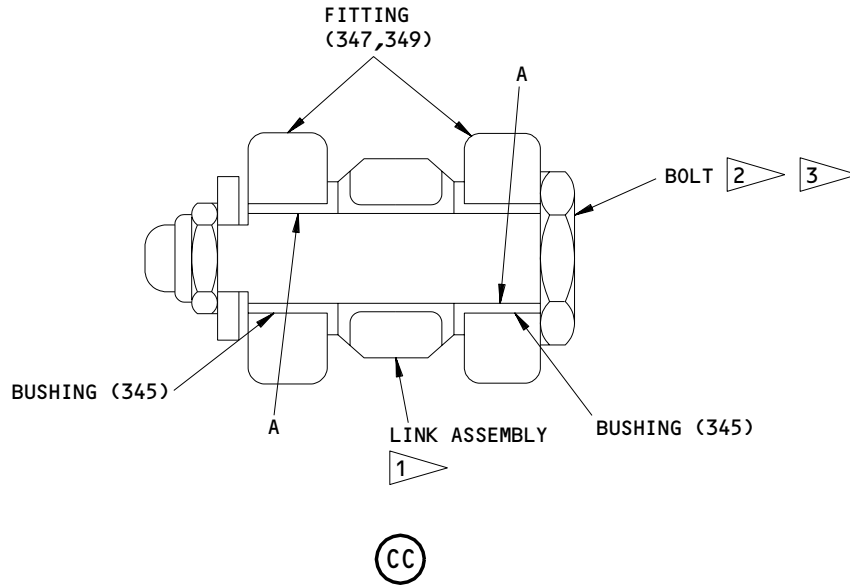
ITEM NUMBERS REFER TO IPL FIG. 2

Fits and Clearances  
 Figure 801 (Sheet 2)

**71-11-31**

FITS AND CLEARANCES  
 01.1 Page 802  
 Dec 01/95





REF LETTER	REF IPL  FIG. 3, MATING ITEM NO.	DESIGN DIMENSION*				SERVICE WEAR LIMIT*		
		DIMENSION		ASSEMBLY CLEARANCE		DIMENSION		MAXIMUM CLEARANCE
		MIN	MAX	MIN	MAX	MIN	MAX	
A	ID 345	0.6240	0.6247	0.0000	0.0012	0.6204	0.6263	0.0043
	OD	0.6235	0.6240					
A	ID 345	0.6240	0.6247	0.0010	0.0027	0.6204	0.6263	0.0043
	OD	0.6220	0.6230					

\* ALL DIMENSIONS ARE IN INCHES

- LINK ASSEMBLY, P/N 315T3009-1 (REFER TO CMM 78-31-16 FOR REPAIR)
- BOLT, P/N 315T3010-29
- BOLT, P/N 315T3010-35

ITEM NUMBERS REFER TO IPL FIG. 3

Fits and Clearances  
 Figure 801 (Sheet 3)

**71-11-31**

FITS AND CLEARANCES  
 01.1 Page 803  
 Sep 01/96

REF IPL		NAME	TORQUE*	
FIG. NO.	ITEM NO.		POUND-INCHES	POUND- FEET
1	37,38	Bolt	72-88	
1	40,41	Bolt	72-88	

\* REFER TO SOPM 20-50-01 FOR TORQUE VALUES OF STANDARD FASTENERS.

ITEM NUMBERS REFER TO IPL FIG. 1

Torque Table  
 Figure 802

**71-11-31**

FITS AND CLEARANCES  
 01.101 Page 804  
 Dec 01/95



ILLUSTRATED PARTS LIST

1. This section lists and illustrates replaceable or repairable component parts. The Illustrated Parts Catalog contains a complete explanation of the Boeing part numbering system.
2. Indentures show parts relationships as follows:
  - Assembly
    - Detail Parts for Assembly
    - Subassembly
      - Attaching Parts for Subassembly
      - Detail Parts for Subassembly
    - Detail Installation Parts (included only if installation parts may be returned to shop as part of assembly)
3. One use code letter (A, B, C, etc., ) is assigned in the EFF CODE column for each variation of top assembly. All listed parts are used on all top assemblies except when limitations are shown by use code letter opposite individual part entries.
4. Letter suffixes (alpha-variants) are added to item numbers for optional parts, Service Bulletin modification parts, configuration differences (except left- and right-hand parts), product improvement parts, and parts added between two sequential item numbers. The alpha-variant is not shown on illustrations when appearance and location of all variants of the part is the same.
5. Service Bulletin modifications are shown by the notations PRE SB XXXX and POST SB XXX.
  - A. When a new top assembly part number is assigned by Service Bulletin, the notations appear at the top assembly level only. The configuration differences at detail part level are then shown by use code letter.
  - B. When the top assembly part number is not changed by the Service Bulletin, the notations appear at the detail part level.

6. Parts Interchangeability

Optional (OPT)	The parts are optional to and interchangeable with other parts having the same item number.
Supersedes, Superseded By (SUPSDS, SUPSD BY)	The part supersedes and is not interchangeable with the original part.
Replaces, Replaced By (REPLS, REPLD BY)	The part replaces and is interchangeable with, or is an alternate to, the original part.

**71-11-31**

ILLUSTRATED PARTS LIST  
01 Page 1001  
Jul 10/83

VENDORS

OPTK6 SPS TECHNOLOGIES INC AEROSPACE PRODUCTS DIV  
5195 W 4700 SPO BOX 18459  
KEARNS, UTAH 84118

00624 EATON AEROQUIP INC ENGINEERED SYSTEMS DIV  
300 S EAST AVE  
JACKSON, MICHIGAN 49203-1972  
FORMERLY AEROQUIP ELBEE PLANT V99879 OR WESTERN PLANT  
V70128; FORMERLY AEROQUIP AEROSP DIV JACKSON PLANT;  
FORMERLY V11328 AEROQUIP LINAIR DIV

01673 AIRDROME PARTS CO  
3251 AIRPORT WAY PO BOX 1867  
LONG BEACH, CALIFORNIA 90801

03925 PARKER-HANNIFIN CORP STRATOFLEX AEROSPACE/MILITARY CONN DIV  
17671 ARMSTRONG AVENUE PO BOX 16819  
IRVINE, CALIFORNIA 92713-6819  
FORMERLY IN HAWTHORNE AND SANTA ANA, CALIFORNIA  
FORMERLY STRATOFLEX INCORPORATED

06710 LAMSON AND SESSIONS CO THE VALLEY-TODECO  
12975 BRADLEY AVENUE  
SYLMAR, CALIFORNIA 91342-3830  
FORMERLY VALLEY BOLT CORP VB0097 IN NORTH HOLLYWOOD, CA

06725 AIR INDUSTRIES CORPORATION  
12570 KNOTT STREET  
GARDEN GROVE, CALIFORNIA 92641-3932  
FORMERLY AIR INDUSTRIES OF CALIF IN GARDENA, CALIF.

06851 RESISTOFLEX CORP WESTERN DIV SEE RESISTOFLEX DIV OF  
UNIDYNAMICS CORP V50599

06950 SCREWCORP VSI AEROSPACE PRODUCTS DIV FAIRCHILD IND DIV  
13001 EAST TEMPLE AVENUE PO BOX 730  
CITY OF INDUSTRY, CALIFORNIA 91746-1417  
FORMERLY VB0096 AND VSI CORP SCREWCORP DIV  
FORMERLY IN CULVER CITY, CALIFORNIA

07073 BEST DEVICES CO INC  
10921 BRIGGS ROAD  
CLEVELAND, OHIO 44111-5333

07096 BURKE RUBBER CO PUROSIL DIV  
1810 SOUTH SHAMROCK AVENUE PO BOX 5023  
MONROVIA, CALIFORNIA 91016-4251  
FORMERLY HADBAR DIV OF PUROSIL INC

71-11-31

ILLUSTRATED PARTS LIST  
01.1 Page 1002  
Jul 01/03


**BOEING**  
 COMPONENT  
 MAINTENANCE MANUAL
VENDORS

08199 SIERRACIN-HARRISON  
 3020 EMPIRE AVENUE  
 BURBANK, CALIFORNIA 91504-3109  
 FORMERLY TECHNICAL IND INC OR HARRISON MFG CO DIV AXIAL CORP

08524 DEUTSCH FASTENER CORP SEE CODE V97928

11328 AEROQUIP SEE EATON AEROQUIP V00624

11815 CHERRY AEROSPACE FASTENERS DIV OF TEXTRON  
 1224 EAST WARNER AVENUE PO BOX 2157  
 SANTA ANA, CALIFORNIA 92707-0157  
 FORMERLY IN LOS ANGELES, CALIF, FORMERLY CHERRY FASTENERS  
 TOWNSEND DIV OF TEXTRON INC V71087

11960 BURKE IND HASKON DIV  
 336 WEIR ST PO BOX 1091  
 TAUNTON, MASSACHUSETTS 02780  
 FORMERLY HERCULES INC AND HAVEG IND; FORMERLY HASKON CORP

12157 RESISTOFLEX CORP SOUTHWESTERN DIV  
 DALLAS, TEXAS 75207  
 BUSINESS DISCONTINUED

14242 VOSS INDUSTRIES INC  
 2168 WEST 25TH STREET  
 CLEVELAND, OHIO 44113-4115

14397 FABER ENTERPRISES, INCORPORATED  
 6606 VARIEL AVE  
 CANOGA PARK, CALIFORNIA 91303-2808

14798 DEUTSCH CO METAL COMPONENTS DIV  
 14800 SOUTH FIGUEROA STREET  
 GARDENA, CALIFORNIA 90248-1719  
 FORMERLY WEATHERHEAD V79470 FOR AEROSPACE PRODUCTS

15653 FAIRCHILD FASTENERS KAYNAR PRODUCTS DIV  
 800 S STATE COLLEGE BLVD  
 FULLERTON, CALIFORNIA 92831-3001  
 FORMERLY VK6405 MICRODOT AEROSP LTD; FORMERLY KAYNAR TECH  
 KAYNAR DIV

15805 FURON A E C  
 3711 SOUTH HUDSON STREET  
 SEATTLE, WASHINGTON 98118-1919  
 FORMERLY ASSOC IND V29762, FABRICATORS INC DIV OF  
 FLUOROCARBON CO AND FLUOROCARBON CO SEATTLE DIV

71-11-31

 ILLUSTRATED PARTS LIST  
 01.1 Page 1003  
 Jul 01/03

VENDORS

16632 FLEXFAB, INCORPORATED  
1843 GUN LAKE ROAD  
HASTINGS, MICHIGAN 49058-9275

17446 HUCK INTL INC AEROSPACE FASTENER DIV  
900 WATSON CENTER ROAD  
CARSON, CALIFORNIA 90745-4201  
FORMERLY V32134 REXNORD INC; FORMERLY V97928 HUCK INTL

18076 UMPCO, INCORPORATED  
7100 LAMPSON AVENUE PO BOX 5158  
GARDEN GROVE, CALIFORNIA 92645  
FORMERLY IN CITY OF INDUSTRY, CALIFORNIA

22175 J AND M PRODUCTS INC.  
2435 NORTH NAOMI  
BURBANK, CALIFORNIA 91504-3425

27238 BRISTOL INDUSTRIES  
630 EAST LAMBERT ROAD PO BOX 630  
BREA, CALIFORNIA 92621-4119

29666 HUCK MANUFACTURING CO SUB OF FEDERAL-MOGUL CORP  
6 THOMAS  
IRVINE, CALIFORNIA 92714  
FORMERLY HUCK MFG CO VB0016 IN DETROIT, MICHIGAN

30974 AEROFIT PRODUCTS INC  
8531 WHITAKER STREET  
BUENA PARK, CALIFORNIA 90621-3129

5M902 FAIRCHILD IND INC FAIRCHILD AEROSPACE FASTENER DIV  
3016 W LOMITA BLVD  
TORRANCE, CALIFORNIA 90505-5103  
FMLY IN REDONDO BEACH, CALIF

5T400 GRIMES AEROSPACE CO  
550 STATE ROUTE 55  
URBANA, OHIO 43078-9482

50599 CRANE RESISTOFLEX COMPANY  
2575 WEST 5TH STREET  
JACKSONVILLE, FLORIDA 22205  
FORMERLY RESISTOFLEX DIV OF UNIDYNAMICS

50808 UNITED SUPPLY CO INC  
3676 S BROADWAY PLACE  
LOS ANGELES, CALIFORNIA 90007-4432

71-11-31

ILLUSTRATED PARTS LIST  
01.1 Page 1004  
Jul 01/03


**BOEING**  
 COMPONENT  
 MAINTENANCE MANUAL
VENDORS

50948 PARKER-HANNIFIN CORP HUNTSVILLE AIRCRAFT FACILITY  
 9400 SOUTH MEMORIAL PARKWAY  
 HUNTSVILLE, ALABAMA 35802  
 FORMERLY PARKER-HANNIFIN CORP TUBE FITTINGS DIV

52828 REPUBLIC FASTENER MFG CORP  
 1300 RANCHO CONEJO BLVD  
 NEWBURY PARK, CALIFORNIA 91320-1405  
 FORMERLY IN SYLMAR, CALIFORNIA

53551 ALLFAST FASTENING SYSTEMS INC  
 15200 EAST DON JULIAN ROAD PO BOX 3166  
 CITY OF INDUSTRY, CALIFORNIA 91745-1001  
 FORMERLY V0736B  
 FORMERLY ALLFAST INC V5K545

56878 SPS TECHNOLOGIES INC AEROSPACE AND INDUSTRIAL PRODUCTS DIV  
 HIGHLAND AVENUE  
 JENKINTOWN, PENNSYLVANIA 19046  
 FORMERLY STANDARD PRESSED STEEL

57268 RAINER RUBBER CO  
 15660 NELSON PL SO  
 SEATTLE, WASHINGTON 98188

60516 WEST COAST AEROSPACE INC  
 812 MIRAFLORES STREET  
 SAN PEDRO, CALIFORNIA 90731-1439

60980 MEGGITT-OREGON INC DBA MEGGITT SILICONE PROD DIV MSP  
 2010 LAFAYETTE AVE P.O. BOX 887  
 MCMINNVILLE, OREGON 97128  
 FORMERLY ELASTOMERIC SILICON PRODUCTS

61498 SEE CODE V14798

62554 SIMMONDS MECAERO FASTENERS INC  
 1734 SEQUOIA AVENUE  
 ORANGE, CALIFORNIA 92668

71087 BOOTS ACFT NUT DIV TOWNSEND CO SEE TEXTRON INC CHERRY  
 FASTENER TOWNSEND DIV V11815

72285 EXACTO IND INC SEE V83930

71-11-31

 ILLUSTRATED PARTS LIST  
 01.1 Page 1005  
 Jul 01/03

VENDORS

72962 HARVARD INDUSTRIES INC  
3 WERNER WAY SUITE 210  
LEBANON, NEW JERSEY 08833  
FORMERLY AMERACE CORP ESNA DIV  
FORMERLY ELASTIC STOP NUT IN UNION, NJ

73197 HI-SHEAR TECHNOLOGY CORP  
2600 SKYPARK DRIVE  
TORRANCE, CALIFORNIA 90509

74687 HUNTINGTON RUBBER CO DIV NEW IDRIA  
SEE ELASTOMERIC SILICONE V0829B

75345 KIRKHILL RUBBER CO  
300 EAST CYPRESS STREET  
BREA, CALIFORNIA 92621-4007  
FORMERLY L.A. STANDARD RUBBER CO V84914

78570 TITFLEX CORP SUB OF BUNDY CORP  
603 HENDEE STREET PO BOX 90054  
SPRINGFIELD, MASSACHUSETTS 01139

8W928 AEROQUIP CORP AEROSPACE DIV TOCCOA PLANT  
MEADOWBROOK INDUSTRIAL PK PO BOX 819  
TOCCOA, GEORGIA 30577-0819

80539 SPS TECHNOLOGIES INC AEROSPACE PRODUCTS DIV  
2701 SOUTH HARBOR BOULEVARD PO BOX 1259  
SANTA ANA, CALIFORNIA 92702-1259  
FORMERLY NUTT-SHEL DIV OF SPC WESTERN CO V80539  
AND STANDARD PRESSED STEEL WESTERN DIV V17279

83014 HARTWELL CORPORATION  
900 SOUTH RICHFIELD ROAD  
PLACENTIA, CALIFORNIA 92670-6732  
FORMERLY V0532B IN LOS ANGELES, CALIFORNIA

83930 ADEL WIGGINS GROUP  
5000 TRIGGS STREET  
LOS ANGELES, CALIFORNIA 90022  
FORMERLY ADEL PROD DIV OF DELAVAL TURBINE CALIF INC;  
FORMERLY EXACTO IND V72285; FORMERLY DELAVAL ADEL FSTN DIV  
FORMERLY TRANSAMERICA DELAVAL ADEL FTNRS DIV; FORMERLY IMO  
DELAVAL IN HUNTINGTON, WV

71-11-31

ILLUSTRATED PARTS LIST  
01.1 Page 1006  
Jul 01/03




**BOEING**  
 COMPONENT  
 MAINTENANCE MANUAL
VENDORS

84256 AVIBANK MANUFACTURING COMPANY  
 210 SOUTH VICTORY BLVD PO BOX 391  
 BURBANK, CALIFORNIA 91503  
 FORMERLY AVDEL INC AND ROWE SALES CO VB0001  
 FORMERLY PRICE, D.W. CORP LOS ANGELES, CALIFORNIA V97978

84971 TA MFG CO SUB OF ESTERLINE  
 28065 W FRANKLIN PKY  
 VALENCIA, CALIFORNIA 91355  
 FORMERLY IN LA, CALIF; SUB OF CRITON CORP, GLENDALE, CALIF

92003 PARKER-HANNIFIN CORPORATION  
 14300 ALTON PKWY  
 IRVINE, CALIFORNIA 92618  
 FORMERLY PARKER AIRCRAFT V02689; FORMERLY SCHULZ TOOL & MFG  
 V82267; FORMERLY PARKER-BERTEA AEROSPACE GROUP

92215 FAIRCHILD IND INC FAIRCHILD AEROSPACE FASTENER DIV  
 3010 W LOMITA BLVD  
 TORRANCE, CALIFORNIA 90505-5102  
 FORMERLY VOI-SHAN IN CULVER CITY, CALIF

94581 NATIONAL UTILITIES CORP/NUCO  
 1700 HICKORY DRIVE PO BOX 14639  
 FORT WORTH, TEXAS 76117-6020  
 FORMERLY IN MONROVIA, CALIFORNIA; FORMERLY V2D588

95272 STILLMAN SEL CORP  
 6020 AVENIDA ENCINAS  
 CARLSBAD, CALIFORNIA 92009-1001  
 FORMERLY SARGENT IND

97928 HUCK INTL SEE V17446 HUCK INTL  
 SEE V17446 HUCK INTL  
 SEE V17446 HUCK INTL

98524 MONOGRAM INDUSTRIES INC AEROSPACE FASTENERS DIV  
 3423 SOUTH GARFIELD AVENUE PO BOX 6847  
 LOS ANGELES, CALIFORNIA 90022-0547  
 FORMERLY NATIONAL SCREW & MFG CO V76689; ADJUSTABLE BUSHING  
 CORP, HOLLYWOOD, CA V15291; MONOGRAM/GVI IND INC, SUN  
 VALLEY, CA V29464

98996 OLYMPIA FASTENING INV SEE V53551

99648 SEE V30485

71-11-31

 ILLUSTRATED PARTS LIST  
 01.1 Page 1007  
 Jul 01/03

PART NUMBER	AIRLINE PART NO.	FIG.	ITEM	TTL REQ
AFP175V06		1	492	1
		1	497	2
AFP238-0604J		1	499G	1
AFP241-06JL		1	654	1
AFP941H6		1	492B	1
AF5141-3C		4	425A	1
		9	315A	1
AN760C6		8	140	2
AN924-6J		1	498	1
AN960-10		1	695	1
		4	880	6
AN960-516		4	370B	1
		4	540B	3
AN960-516L		4	370	1
		4	540	3
AN960-8		6	212	8
AN960C10L		1	450	4
		1	635	3
		6	130	14
AN960C416L		1	751A	1
		4	960	1
AN960C6		8	110	2
AN960C916		1	499	1
AN960D10L		3	473	12
AN960KD416L		1	39	42
		1	39A	50
AN960PD10		1	384	2
		3	9	2
AN960PD10L		1	792	5
		2	171	1
		2	520	1
		2	565	3
		3	386	2
		4	185	2
		4	195D	1
		4	617	1
		6	110	12
		9	130	2
		9	142	1
		9	460	3
AN960PD416L		3	342	1
AN960PD516L		4	370A	1
		4	540A	3
AN960XC10		1	858	8
		1	861	8

71-11-31

 ILLUSTRATED PARTS LIST  
 01.1 Page 1008  
 Jul 01/03


**BOEING**  
 COMPONENT  
 MAINTENANCE MANUAL

PART NUMBER	AIRLINE PART NO.	FIG.	ITEM	TTL REQ
APX832-0604J		1	499G	1
AP1004H06		1	492B	1
AP1008-06JL		1	654	1
AP2097-06H		1	492	1
		1	497	2
ASPFSDT6-17		1	685	2
ASPFSDT8-20		2	220	1
ASPFSDT6		1	686	2
ASPFSDT8		2	225	1
ASPLC2AC6		1	688	2
ASPLC2AC8		2	230	1
AS118E0150AAN		1	500	1
AS161E0150AAN		1	500	1
BACB28AM04B011A		4	475B	1
BACB28AM04B027A		4	475A	1
BACB28AM04B034A		4	475	1
BACB28AM06B021A		4	850B	3
BACB28AM09B021A		2	280	1
BACB28AP04P022		3	109	1
BACB28AP06P021		2	285	1
BACB28AP06P022		3	111	1
BACB28AP07P038		3	70	6
BACB28W12B042		2	40	2
BACB28W12B076		2	45	2
BACB28W3B037		4	480	1
BACB28W3B053		4	480A	1
BACB28X6C015		4	850	3
BACB28X6C020		4	490	1
BACB28Y5C037		4	485	2
BACB30CC5-2		2	575	3
BACB30FM5A4		3	106	2
BACB30FN6A19K		1	522	7
BACB30HA6R17		1	801	12
BACB30JC5A		1	812D	2
BACB30LE4-11		4	335	4
		9	245	4
BACB30LE4-7		4	870	4
BACB30LH2-2		1	323A	10
BACB30LH2-3		4	802	1
BACB30LH2-4		4	804	1
BACB30LH2-5		4	197A	1
BACB30LH3-20		1	694	1
BACB30LH3-5		3	390A	1
BACB30LH3U3		6	125	14
BACB30LJ3-4		6	105	12
BACB30LJ3K5		3	8	2

71-11-31

ILLUSTRATED PARTS LIST

01.1

Page 1009

Jul 01/03

PART NUMBER	AIRLINE PART NO.	FIG.	ITEM	TTL REQ
BACB30LJ4-18		1	697	2
BACB30LJ4-3		3	460A	6
BACB30LK3-2		3	384A	2
BACB30LL3-3		2	177	1
		2	530	1
		4	170	1
		4	197	1
		4	720	2
		9	120	2
		9	145	1
		9	535	2
BACB30LL3-5		4	160	3
		4	165	1
		9	115	3
BACB30LL3-7		4	150	1
		4	155	2
		9	110	1
BACB30LL3-9		4	175	1
BACB30LM3H15		4	195C	1
		9	140C	1
BACB30LR2-2		1	323	10
BACB30LR2-3		1	321	1
BACB30LR3-6		3	382	4
		3	430	28
BACB30MB5		1	812	2
BACB30MY5K		1	210L	2
BACB30MY5K10		1	415	1
BACB30MY5K11		1	414	2
BACB30MY5K12		1	413	2
BACB30MY5K13		1	412	2
BACB30MY5K14		1	411	2
BACB30MY5K15		1	410	2
BACB30MY5K16		1	409	1
BACB30MY5K17		1	408	17
		1	663	29
BACB30MY5K18		1	407	21
BACB30MY5K2		1	418	4
		6	160	16
BACB30MY5K21		1	406	1
BACB30MY5K22		1	405	2
BACB30MY5K3		1	417	5
		1	665	3
		3	371	175

71-11-31

 ILLUSTRATED PARTS LIST  
 01.1 Page 1010  
 Jul 01/03


**BOEING**  
 COMPONENT  
 MAINTENANCE MANUAL

PART NUMBER	AIRLINE PART NO.	FIG.	ITEM	TTL REQ
BACB30MY5K3		3	371L	5
		6	165	2
BACB30MY5K4		1	664	3
		3	371Q	5
		4	866	4
BACB30MY5K5		1	416	1
		4	941	4
BACB30MY6F18		1	689	3
BACB30MY6K		1	232L	10
BACB30MY6K10		10	45	1
BACB30MY6K12		3	135	2
BACB30MY6K14		1	396	2
BACB30MY6K15		1	395	4
		2	360	1
BACB30MY6K16		1	394	5
		2	355	1
BACB30MY6K17		1	393	6
BACB30MY6K18		1	392	9
		1	674	20
BACB30MY6K19		1	391	14
BACB30MY6K2		4	625	6
		9	415	6
BACB30MY6K20		1	666G	2
		1	673	9
		2	300	4
BACB30MY6K21		1	672	1
		2	302	4
BACB30MY6K22		2	265	2
BACB30MY6K23		2	260	2
BACB30MY6K24		1	580B	1
BACB30MY6K4		1	771B	5
		1	937	5
		3	310	7
		10	40	4
BACB30MY6K5		1	702	4
		3	195	4
		3	315	9
		4	135	14
		4	810	1
		9	95	14
BACB30MY6K6		3	320	1
BACB30MY6K7		4	285	2
		4	630	3
		9	215	2
		9	425	3

71-11-31

ILLUSTRATED PARTS LIST

01.1

Page 1011

Jul 01/03

PART NUMBER	AIRLINE PART NO.	FIG.	ITEM	TTL REQ
BACB30MY6K8		3	55	8
		4	633	1
		9	430	1
BACB30MY6K9		3	50	4
BACB30MY8K10		3	35	8
		4	605	1
		9	390	1
BACB30MY8K11		3	30	4
BACB30MY8K2		4	615	7
		9	400	7
		4	610	5
BACB30MY8K4		9	395	5
		4	120	6
		9	80	6
BACB30MY8K5		3	330	1
BACB30MY8K6		3	335	1
		4	125	5
		9	85	5
BACB30MY8K7		2	560	3
BACB30NM3K3		4	665	8
		9	480	8
		4	350	4
BACB30NM4K12		9	260	4
		3	390B	1
		2	55	5
BACB30NM4K13		1	37	42
		1	38	50
		3	341	1
BACB30NN3K5		1	40	30
BACB30NR4K10		1	41	34
		9	450	1
		9	455	2
BACB30NR4K6		4	653A	3
BACB30NR4K7		2	50	16
		2	60	3
		2	65	1
BACB30NR4K8		2	70	1
		2	75	1
		2	195	6
BACB30NU3-5		4	655	9
		9	470	9
		4	695	12
BACB30NU3K5		9	510	12
BACB30NU3K6				
BACB30NU3K8				
BACB30NU4K10				
BACB30NU4K11				
BACB30NU4K12				
BACB30NU4K14				
BACB30NW5K19				
BACB30NW5K3				
BACB30NW5K7				

71-11-31

 ILLUSTRATED PARTS LIST  
 01.1 Page 1012  
 Jul 01/03


**BOEING**  
 COMPONENT  
 MAINTENANCE MANUAL

PART NUMBER	AIRLINE PART NO.	FIG.	ITEM	TTL REQ
BACB30NW6K		1	914A	6
		6	5	36
BACB30NW6K12		1	398	2
BACB30NW6K13		1	397	2
BACB30NW6K19		1	438	1
		1	530	3
		1	819	16
		1	822	16
BACB30NW6K2		4	635	1
		9	420	1
BACB30NW6K3		1	766	66
		1	882	12
		1	885	12
		1	929	66
		4	140	12
		4	645	2
		9	100	12
		9	435	2
		10	140	66
		1	876	5
BACB30NW6K4		1	879	5
		1	771A	4
BACB30NW6K5		1	936	4
		4	138	1
		4	808	1
		4	834	3
		10	35	4
		10	135	100
		4	613A	1
		1	361	6
		4	925	4
		6	175	6
BACB30NX6K10		1	679	2
BACB30NX6K12		3	145	2
BACB30NX6K13		1	401G	2
		1	428	2
BACB30NX6K14		1	427	1
BACB30NX6K19		1	401	7
BACB30NX6K3		1	520	3
BACB30NX6K5		4	560	3
		9	350	3
BACB30NX6K6		3	97	4
		3	113	2
		4	580	3
		9	365	3

71-11-31

 ILLUSTRATED PARTS LIST  
 01.1 Page 1013  
 Jul 01/03

PART NUMBER	AIRLINE PART NO.	FIG.	ITEM	TTL REQ
BACB30NX6K7		4	570	2
		9	355	2
BACB30NX6K8		3	99	12
		4	575	4
		9	360	4
BACB30NX8K10		1	677	4
BACB30NX8K19		1	403	4
BACB30NX8K23		2	250	3
BACB30NY5K4		4	910	8
BACB30NY6K10		1	681	1
BACB30NY6K18		1	388	1
		1	389	2
BACB30NY6K19		1	387	1
BACB30NY6K20		1	699	2
BACB30NY6K21		1	675	1
		2	345	1
BACB30NY6K22		2	340	1
BACB30NY6K4		1	765	72
		1	928	72
		10	20	72
BACB30NY6K5		1	683	2
		4	558	1
		9	345	1
BACB30NY6K7		4	878	6
BACB30NY6K9		1	682	1
BACB30NY8K20		1	708	2
		2	235	2
BACB30NY8K21		2	240	2
BACB30NZ5K18		5	125	1
BACB30VF3K5		1	209A	25
BACB30VF4K4		1	908P	2
BACB30VF4K5		1	908N	2
BACC10DW16S		1	600	1
BACC10EP38		1	471A	1
BACC10GE6		1	595	1
BACC10GF16H		1	625	1
BACC10GT2-06		1	487	15
BACC10GY300		1	447	2
BACC14AD06JL		1	654	1
BACC30AB6S		1	523A	7
		1	828A	16
		1	831A	16
		1	888A	17
		1	891A	17

71-11-31

 ILLUSTRATED PARTS LIST  
 01.1 Page 1014  
 Jul 01/03




**BOEING**  
 COMPONENT  
 MAINTENANCE MANUAL

PART NUMBER	AIRLINE PART NO.	FIG.	ITEM	TTL REQ
BACC30AG5		1	420	14
BACC30AG6		1	400	28
BACC30AG6		1	429	3
		2	365	2
BACC30M5		1	419	49
		1	666	33
		2	200	6
		3	372	180
		4	660	9
		4	700	12
		4	868	4
		4	941G	4
		5	130	1
		6	170	18
		9	475	9
		9	515	12
BACC30M6		1	390	3
		1	399	16
		1	441	1
		1	536	3
		1	666M	2
		1	676	31
		1	705	6
		1	767	138
		1	771C	9
		1	916	6
		1	930	138
		1	938	9
		2	267	4
		2	305	8
		3	60	12
		3	140	2
		3	200	4
		3	325	17
		4	145	26
		4	147	1
		4	290	2
		4	650	11
		4	812	2
		4	840	3
		6	10	36
		9	105	26
		9	220	2
		9	440	11
		10	25	72
		10	55	5
		10	145	166

71-11-31

ILLUSTRATED PARTS LIST

01.1

Page 1015

Jul 01/03

PART NUMBER	AIRLINE PART NO.	FIG.	ITEM	TTL REQ
BACC30M8		1	363	6
		1	711	2
		2	245	4
		3	40	12
		3	340	2
		4	130	11
		4	620	12
		9	90	11
		9	405	12
BACC30P6		1	807	12
BACC30X5		1	812G	4
		6	180	6
BACC30X5S		4	915	8
		4	930	4
BACC30X6		3	101A	16
		3	150A	2
		4	585	13
		9	370	13
		1	684	4
BACC30X6S		3	101	16
		3	150B	2
		4	882	6
		1	402	9
BACC30X6SW		1	680	2
		2	350	2
		3	119	2
		1	404	4
		1	678	4
BACC30X8SW		2	255	3
		4	215	1
		9	165	1
BACF3F006J008NN		2	95	1
BACF3F007G063NN		2	105	1
BACF3F008G062NN		2	105	1
BACF3F008N030NN		4	900	1
BACF3F008R030NN		4	895	1
BACF3F009D009NN		3	220	2
BACF3F009J010NN		4	315	1
BACF3F009L046NN		3	225	2
BACF3F009P020BN		4	320	1
BACF3F009W021NN		4	310	1
BACF3F011J011NN		9	235	1
		4	440	1
		4	528	1
		9	335	1

71-11-31

 ILLUSTRATED PARTS LIST  
 01.1 Page 1016  
 Jul 01/03


**BOEING**  
 COMPONENT  
 MAINTENANCE MANUAL

PART NUMBER	AIRLINE PART NO.	FIG.	ITEM	TTL REQ
BACF3T03L9-10		4	520	1
BACF3T04M12-20		4	525	1
BACG20AF4B6		3	7	2
BACG20AF4B6A		3	7A	2
BACH5M0150AAN		1	500	1
BACJ40A21-8		1	444	1
BACL10E125-330		4	920	2
BACN10GW3		4	621	1
		9	465	3
BACN10HR3CS		1	652	5
BACN10HR4		4	340	4
		4	872	4
		9	250	4
BACN10JA3CM		4	735	3
		4	795	1
		9	550	3
BACN10JA4CM		4	680	6
		4	710	3
		9	495	6
		9	525	3
BACN10JB4CFM		9	325	1
BACN10JC06C		8	145	2
BACN10JC08		4	198A	1
BACN10JC08CM		1	666C	2
BACN10JC3		1	690	3
		1	795	5
		2	165	1
		2	179	1
		2	535	1
		3	9L	2
		3	388	2
		3	474	4
		4	190	1
		4	198	1
		4	651	2
		9	135	1
		9	150	1
		9	410	1
		9	445	2
BACN10JC3C		1	864	8
		1	867	8
		6	135	14
BACN10JC3CM		1	376	1
		1	385	1
		1	468	1
		1	479	6

71-11-31

 ILLUSTRATED PARTS LIST  
 01.1 Page 1017  
 Jul 01/03

PART NUMBER	AIRLINE PART NO.	FIG.	ITEM	TTL REQ
BACN10JC3CM		1	590	1
		1	620	2
		1	640	4
		1	696	1
BACN10JC4		3	343	1
		4	623A	1
BACN10JC4CM		1	435	1
		4	380	1
		4	550	3
BACN10JN08CM		1	341	11
		2	296	1
		2	325	3
BACN10JN3CM		2	130	14
BACN10JN4CM		2	135	11
		3	470	6
BACN10JP06BCM		8	165	2
BACN10JP08ACM		2	385	2
		4	830	1
BACN10JP08CCM		2	295A	1
BACN10JP3A		2	570	3
BACN10JP3BCM		1	555	4
		2	215	3
BACN10JP3DCM		4	800	5
		9	555	3
BACN10JP4CCM		4	685	6
		9	500	6
BACN10JR3CFM		2	140	2
		3	180	2
		6	150	8
		1	335	1
		3	455	32
		1	54	2
BACN10JR3CM		1	75	10
		1	78	2
		1	111	4
		1	114	2
		1	138	2
		1	156	4
		1	171	4
		1	189	4
		4	430A	1
		4	832	1
BACN10KB08CFM		4	832	1
BACN10KB3		3	365	2
BACN10KB3CFD		1	317	1
		1	342	1

71-11-31

 ILLUSTRATED PARTS LIST  
 01.1 Page 1018  
 Jul 01/03


**BOEING**  
 COMPONENT  
 MAINTENANCE MANUAL

PART NUMBER	AIRLINE PART NO.	FIG.	ITEM	TTL REQ
BACN10KB4CFD		1	55	2
		1	76	10
		1	79	2
		1	112	4
		1	115	2
		1	139	2
		1	157	4
		1	172	4
		1	190	4
	BACN10KB4CFM	3	215	2
		1	242	1
	BACN10KE3B2CM	1	254	1
		1	269	1
		1	284	1
1		302	1	
1		309	1	
3		295	12	
BACN10KE3B3CM		1	338	12
		6	155	4
BACN10KE3DCM		1	218	1
		1	230	1
BACN10KE3E2CM		1	257	1
		1	272	1
		1	287	1
		1	305	1
	1	310	1	
	1	912	2	
	BACN10KE4A	1	200	54
		1	200A	54
	BACN10KE4DCD	4	745	1
		9	560	1
	BACN10KE4DCM	3	260	4
		4	740	3
	BACN10KF3CM	1	210S	2
		1	232S	10
BACN10XJ5	10	50	4	
	1	197	108	
BACN10XJ6	1	215	2	
	1	227	2	
BACN10YT3CS	1	239	2	
	1	251	4	
BACR15BA3AD	1	266	4	
	1	281	4	
	1	299	4	
	1	308	4	

71-11-31

ILLUSTRATED PARTS LIST

01.1

Page 1019

Jul 01/03

PART NUMBER	AIRLINE PART NO.	FIG.	ITEM	TTL REQ	
BACR15BA3AD		1	332	48	
		1	333	2	
		2	80	10	
		2	125	54	
		2	290	4	
		2	320	6	
		2	380	4	
		3	175	4	
		4	730	14	
		4	790	12	
		4	828	4	
		9	545	14	
	BACR15BA3AD2		3	360	4
	BACR15BA5A		3	400	20
		3	400A	15	
BACR15BA5AD		3	270	4	
BACR15BA5D5		4	941J	2	
BACR15BA8KE19		1	770G	5	
		1	935	5	
BACR15BA8KE19C		10	75	5	
BACR15BA8KE22		1	769G	5	
		1	933	5	
BACR15BA8KE22C		10	70	5	
BACR15BB3AD		2	192	13	
		3	210	4	
		3	245	8	
		3	450	64	
		3	465	12	
		1	56	2	
BACR15BB3B		1	80	10	
		1	83	2	
		1	116	4	
		1	119	2	
		1	140	2	
		1	158	4	
		1	173	4	
		1	191	4	
		3	103	6	
BACR15BB5AD		3	104	4	
		3	169	1	
		5	70	5	
		1	662	1	
BACR15BB5AD2		1	662	1	

71-11-31

 ILLUSTRATED PARTS LIST  
 01.1 Page 1020  
 Jul 01/03


**BOEING**  
 COMPONENT  
 MAINTENANCE MANUAL

PART NUMBER	AIRLINE PART NO.	FIG.	ITEM	TTL REQ
BACR15BB5AD3		1	670	1
BACR15BB5B		6	205A	8
BACR15BB6AD		3	171	1
BACR15CE3B		1	50	8
		1	68	40
		1	71	8
		1	104	8
		1	104J	16
		1	107	4
		1	107J	8
		1	134	4
		1	134J	8
		1	152	16
		1	167	16
		1	185	16
BACR15CE3D		3	290	24
		4	420	1
		4	425	1
		4	675	24
		9	315	1
		9	320	1
		9	490	24
BACR15CE3D3		6	145	24
BACR15CE3KE		1	909	4
BACR15CE3M		1	550	8
		2	210	6
		4	705	6
		8	85	3
		8	150	4
		8	170	7
		8	230A	3
		9	520	6
BACR15CE4B		1	913	1
BACR15CE5D		4	765A	1
		9	590	1
BACR15CE5KE		1	326	7
		1	424	1
		1	661	6
		3	167	1
		4	760	2
		9	595	2
BACR15CE5M		4	255A	1
		9	200	1
BACR15CE6KE		1	423	1
		1	660	1
		1	671	8
		3	47	12

71-11-31

 ILLUSTRATED PARTS LIST  
 01.1 Page 1021  
 Jul 01/03

PART NUMBER	AIRLINE PART NO.	FIG.	ITEM	TTL REQ
BACR15CE6KE7		1	759	4
BACR15CE6KE7		1	779	4
		1	926	4
BACR15CE8KE17		1	770	5
		1	934	5
BACR15CE8KE20		1	769	5
		1	932	5
BACR15CE8K17		10	65	4
BACR15CE8K20		10	60	6
BACR15DR3AC		4	425A	1
		9	315A	1
BACR15FP5MPR		10	10	4
BACR15FT5D		2	15A	13
BACR15FT5KE		1	210	2
		4	750	4
		9	565	4
BACR15FT5KE2		1	659	23
BACR15FT5KE3C		4	814A	1
BACR15FT5KE4C		4	816A	1
BACR15FT5KE5		1	658	2
BACR15FT6KE		1	232	10
		3	45	36
		3	155	18
		3	205	8
		3	240	6
		4	818	3
BACS12CK06U5		8	105	2
		8	135	2
BACS12CK3-24		1	605	2
BACS12CK3-8		1	630	4
BACS12CK3U8		1	465	5
		1	473	7
BACS12CK4U8		1	433	1
BACS13BX06H		1	492	1
		1	497	2
BACS18AN16		1	615	1
BACS40R011B028F		10	90	2
BACS40R011B033F		10	125	1
BACS40R011C033F		10	115	1
BACS40R021B029F		10	130	1
BACS40R021B035F		10	100	1
BACS40R022C058F		10	95	1
BACS40R022C065F		10	120	1
BACS40R07D011F		1	318	1
BACS40R08C359F		4	230	1
		9	180	1
BACS40R09B21F		3	80	6

71-11-31

 ILLUSTRATED PARTS LIST  
 01.1 Page 1022  
 Jul 01/03




**BOEING**  
 COMPONENT  
 MAINTENANCE MANUAL

PART NUMBER	AIRLINE PART NO.	FIG.	ITEM	TTL REQ
BACS40R09B30F		6	230B	2
BACS40R09B31F		6	220A	1
BACS40R09B41F		6	225A	1
BACS40R09D10F		4	235	1
		9	185	1
BACS40R10C17F		1	723	1
BACS40R10C38F		2	269	1
BACS40R10D19F		4	240	1
		9	190	1
BACS40R11B22F		3	75	6
BACS40R11B28F		1	773M	1
		1	944	1
BACS40R11B2833F		1	772M	1
		1	941	1
BACS40R11B61F		1	372	1
BACS40R11C43F		4	220	1
BACS40R12C35F		2	110	1
BACS40R13D43F		4	225	1
		9	175	1
BACS40R17B33F		3	85	6
BACS40R21B29F		1	772	1
		1	939	1
BACS40R21B35F		1	773	1
		1	942	1
BACS40R22C58F		1	773H	1
		1	943	1
BACS40R22C65F		1	772H	1
		1	940	1
BACS40R37C46F		2	268	1
BACS40R6W33		1	462	2
BACS40R6W38		1	459	2
BACS40R7B10F		1	825	1
		1	826	2
BACS40R8C30F		4	907	1
BACU24AA0604J		1	499G	1
BACU24AB6H		1	492B	1
BACW10BN3SP		1	585	1
		1	610	2
		1	632	1
BACW10BN6SP		1	533	3
BACW10BP5ACU		4	375	1
BACW10BP5ACU		4	545	3
BACW10P69S		3	117	2
BAC15BA3AD		1	316	2
BAC27TPP0209		3	490	1
BAC27TPP0210		3	495	1

71-11-31

ILLUSTRATED PARTS LIST

01.1

Page 1023

Jul 01/03

PART NUMBER	AIRLINE PART NO.	FIG.	ITEM	TTL REQ
BAC27TPP0211		3	500	1
BAC27TPP0213		3	510	1
BAC27TPP0214		3	515	1
BAC27TPP0215		3	520	1
BAC27TPP0217		3	505	1
BAC27TPP0218		3	525	1
BAC27TTR0025		3	475	4
BAC27TTR0035		4	999	1
		9	635	1
BAC27TTR0036		3	480A	1
BAC27TTR0039		3	485	1
BAC27TTR0042		3	485A	1
BH00303-3		1	652	5
BH003033		1	652	5
BH00309-5		1	210S	2
BH00309-5S		1	210S	2
BH00309-6		1	232S	10
BH00309-6S		1	232S	10
BMNN1OHR4		4	340	4
		4	872	4
		9	250	4
BMN1OHRCPD3-3		1	652	5
BMN1OHR4		4	340	4
		4	872	4
		9	250	4
BMN5024CPD3-3		1	652	5
BRFM20C08M		1	341	11
		2	296	1
		2	325	3
BRFM20C3M		2	130	14
BRFM20C4M		2	135	11
		3	470	6
BRFR120C3-2M		1	218	1
		1	230	1
		1	257	1
		1	272	1
		1	287	1
		1	305	1
		1	310	1
BRFR220A4-1		1	912	2
BRFR220C3-3M		1	338	12
BRF100C08M		4	832	1
BRF100C3D		1	317	1
		1	342	1

71-11-31

 ILLUSTRATED PARTS LIST  
 01.1 Page 1024  
 Jul 01/03


**BOEING**  
 COMPONENT  
 MAINTENANCE MANUAL

PART NUMBER	AIRLINE PART NO.	FIG.	ITEM	TTL REQ	
BRF100C4D		1	55	2	
		1	76	10	
		1	79	2	
		1	112	4	
		1	115	2	
		1	139	2	
		1	157	4	
		1	172	4	
		1	190	4	
	BRF100C4M		3	215	2
	BRF110C3M		4	735	3
			4	795	1
			9	550	3
BRF110C4M		4	680	6	
		4	710	3	
		9	495	6	
		9	525	3	
		9	525	3	
BRF170C3M		4	735	3	
		4	795	1	
		9	550	3	
BRF170C4M		4	680	6	
		4	710	3	
		9	495	6	
		9	525	3	
		9	525	3	
BRF200A3		3	455	32	
	BRF200C3M	2	140	2	
3		180	2		
6		150	8		
BRF200C4D		1	54	2	
		1	75	10	
		1	78	2	
	1	111	4		
	1	114	2		
	1	138	2		
	1	156	4		
	1	171	4		
	1	189	4		

71-11-31

ILLUSTRATED PARTS LIST

01.1

Page 1025

Jul 01/03

PART NUMBER	AIRLINE PART NO.	FIG.	ITEM	TTL REQ
BRF200C4M		4	430A	1
BRH10A08		4	198A	1
BRH10A3		1	690	3
BRH10A3		1	795	5
		2	165	1
		2	179	1
		2	535	1
		3	9L	2
		3	388	2
		3	474	4
		4	190	1
		4	198	1
		4	651	2
		9	135	1
		9	150	1
		9	410	1
		9	445	2
BRH10A4		3	343	1
		4	623A	1
BRH10C06		8	145	2
BRH10C08M		1	666C	2
BRH10C3		1	864	8
		1	867	8
		6	135	14
BRH10C3M		1	376	1
		1	385	1
		1	468	1
		1	479	6
		1	590	1
		1	620	2
		1	640	4
		1	696	1
BRH10C4M		1	435	1
		4	380	1
		4	550	3
BRM100C06LM		8	165	2
BRM100C3M		1	555	4
		2	215	3
BRM200A3		2	570	3
BRM200C08M		2	385	2
		4	830	1
BRM300C08M		2	295A	1
BRM300C4M		4	685	6
		9	500	6

71-11-31

 ILLUSTRATED PARTS LIST  
 01.1 Page 1026  
 Jul 01/03


**BOEING**  
 COMPONENT  
 MAINTENANCE MANUAL

PART NUMBER	AIRLINE PART NO.	FIG.	ITEM	TTL REQ
BR1000A3		3	365	2
BR2000C3M		1	335	1
BR3000C3M		4	745	1
		9	560	1
BOE2040		1	870D	1
		1	873B	1
BOE2040-0004		1	870E	1
		1	873C	1
BOE2048-0501		6	115	1
BOE2048-0502		6	120	1
BOE2048-0504		6	115C	1
BOE2048-0505		6	120C	1
B30MY5K10		1	415	1
B30MY5K11		1	414	2
B30MY5K12		1	413	2
B30MY5K13		1	412	2
B30MY5K14		1	411	2
B30MY5K15		1	410	2
B30MY5K16		1	409	1
B30MY5K17		1	408	17
		1	663	29
B30MY5K18		1	407	21
B30MY5K2		1	418	4
		6	160	16
B30MY5K21		1	406	1
B30MY5K22		1	405	2
B30MY5K3		1	417	5
		1	665	3
		3	371	175
		3	371L	5
		6	165	2

71-11-31

 ILLUSTRATED PARTS LIST  
 01.1 Page 1027  
 Jul 01/03

PART NUMBER	AIRLINE PART NO.	FIG.	ITEM	TTL REQ
B30MY5K4		1	664	3
		3	371Q	5
		4	866	4
B30MY5K5		1	416	1
		4	941	4
B30MY6K12		3	135	2
B30MY6K14		1	396	2
B30MY6K16		1	394	5
		2	355	1
B30MY6K17		1	393	6
B30MY6K18		1	392	9
		1	674	20
B30MY6K19		1	391	14
B30MY6K2		4	625	6
		9	415	6
B30MY6K20		1	666G	2
B30MY6K20		1	673	9
		2	300	4
B30MY6K21		1	672	1
		2	302	4
B30MY6K22		2	265	2
B30MY6K23		2	260	2
B30MY6K24		1	580B	1
B30MY6K4		1	771B	5
		1	937	5
B30MY6K5		3	310	7
		1	702	4
		3	195	4
		3	315	9
		4	135	14
		4	810	1
		9	95	14

71-11-31

 ILLUSTRATED PARTS LIST  
 01.1 Page 1028  
 Jul 01/03


**BOEING**  
 COMPONENT  
 MAINTENANCE MANUAL

PART NUMBER	AIRLINE PART NO.	FIG.	ITEM	TTL REQ
B30MY6K7		4	285	2
		4	630	3
		9	215	2
		9	425	3
		9	425	3
B30MY6K8		3	55	8
		4	633	1
		9	430	1
		9	430	1
B30MY6K9		3	50	4
B30MY8K10		3	35	8
		4	605	1
		9	390	1
B30MY8K11		3	30	4
B30MY8K2		4	615	7
		9	400	7
		9	400	7
B30MY8K4		4	610	5
		9	395	5
B30MY8K5		4	120	6
		9	80	6
		9	80	6
B30MY8K6		3	330	1
B30MY8K7		3	335	1
		4	125	5
		9	85	5
		9	85	5
B30NW5K19		2	195	6
B30NW5K3		4	655	9
		9	470	9
		9	470	9
B30NW5K7		4	695	12
		9	510	12
		9	510	12
B30NW6K12		1	398	2
B30NW6K13		1	397	2
B30NW6K19		1	438	1
		1	530	3
		1	819	16
		1	822	16
		1	822	16
B30NW6K2		4	635	1
		9	420	1
		9	420	1
B30NW6K3		1	766	66
		1	882	12
		1	885	12
		1	929	66
		4	140	12
		4	645	2
		9	100	12
		9	435	2
		9	435	2
		10	140	66

71-11-31

 ILLUSTRATED PARTS LIST  
 01.1 Page 1029  
 Jul 01/03

PART NUMBER	AIRLINE PART NO.	FIG.	ITEM	TTL REQ
B30NW6K4		1	876	5
		1	879	5
B30NW6K5		1	771A	4
		1	936	4
		4	138	1
		4	808	1
		4	834	3
		10	35	4
		10	135	100
B30NW6K9		4	613A	1
B30NW8K12		1	361	6
B307BBB0150CN		1	500	1
CCR264CS3C		4	425A	1
		9	315A	1
CR59064		4	340	4
		4	872	4
		9	250	4
CR59083		1	652	5
DBOC14AD6JL		1	654	1
DBOS13BX06H		1	492	1
		1	497	2
DBOU24AA0604J		1	499G	1
DBOU24AB6H		1	492B	1
D4848-1		1	653	1
		1	798	1
ER832-0604J		1	499G	1
E4B6		3	7	2
E4B6A		3	7A	2
FER1579-0604J		1	499G	1
FER22661-06JL		1	654	1
F2001-08		4	832	1
F2001-4		3	215	2
F2401-3		4	735	3
		4	795	1
		9	550	3
F2401-4		4	680	6
		4	710	3
		9	495	6
		9	525	3
F5000-3BAC		3	455	32
F5001-3BAC		2	140	2
		3	180	2
		6	150	8
F5001-4BAC		4	430A	1
F51604-3		1	317	1
		1	342	1

71-11-31

 ILLUSTRATED PARTS LIST  
 01.1 Page 1030  
 Jul 01/03




**BOEING**  
 COMPONENT  
 MAINTENANCE MANUAL

PART NUMBER	AIRLINE PART NO.	FIG.	ITEM	TTL REQ	
F51604-4		1	55	2	
		1	76	10	
		1	79	2	
		1	112	4	
		1	115	2	
		1	139	2	
		1	157	4	
		1	172	4	
		1	190	4	
	F51747-3-2DL		1	242	1
			1	254	1
			1	269	1
			1	284	1
		1	302	1	
		1	309	1	
		3	295	12	
F51747-3-3DL		1	338	12	
F51750-4-1		1	912	2	
F51751-3-2DL		1	218	1	
		1	230	1	
		1	257	1	
		1	272	1	
		1	287	1	
		1	305	1	
		1	310	1	
	F51753-3DL		6	155	4
	F51753-4CD		1	200	54
	F51753-4DL		1	200A	54
G6940-4B6		3	7	2	
G6940-4B6A		3	7A	2	
HLVAZ6-2		4	635	1	
		9	420	1	
HL10VAZ5-10		1	415	1	
HL10VAZ5-11		1	414	2	
HL10VAZ5-12		1	413	2	
HL10VAZ5-13		1	412	2	
HL10VAZ5-14		1	411	2	
HL10VAZ5-15		1	410	2	
HL10VAZ5-16		1	409	1	
HL10VAZ5-17		1	408	17	
		1	663	29	
HL10VAZ5-18		1	407	21	
HL10VAZ5-2		1	418	4	
		6	160	16	
HL10VAZ5-21		1	406	1	
HL10VAZ5-22		1	405	2	

71-11-31

 ILLUSTRATED PARTS LIST  
 01.1 Page 1031  
 Jul 01/03

PART NUMBER	AIRLINE PART NO.	FIG.	ITEM	TTL REQ
HL10VAZ5-3		1	417	5
		1	665	3
		3	371	175
		3	371L	5
		6	165	2
		1	664	3
HL10VAZ5-4		3	371Q	5
		4	866	4
		1	416	1
HL10VAZ5-5		4	941	4
		3	135	2
HL10VAZ6-12		1	396	2
		1	395	4
HL10VAZ6-14		2	360	1
		1	394	5
HL10VAZ6-15		2	355	1
		1	393	6
HL10VAZ6-16		1	392	9
		1	674	20
HL10VAZ6-17		1	391	14
		4	625	6
HL10VAZ6-18		9	415	6
		1	666G	2
HL10VAZ6-19		1	673	9
		2	300	4
HL10VAZ6-20		1	672	1
		2	302	4
HL10VAZ6-21		2	265	2
		2	260	2
HL10VAZ6-22		1	580B	1
		1	771B	5
HL10VAZ6-23		1	937	5
		3	310	7
HL10VAZ6-24				
HL10VAZ6-4				

**71-11-31**

 ILLUSTRATED PARTS LIST  
 01.1 Page 1032  
 Jul 01/03


**BOEING**  
 COMPONENT  
 MAINTENANCE MANUAL

PART NUMBER	AIRLINE PART NO.	FIG.	ITEM	TTL REQ
HL10VAZ6-5		1	702	4
		3	195	4
		3	315	9
		4	135	14
		4	810	1
		9	95	14
HL10VAZ6-6		3	320	1
HL10VAZ6-7		4	285	2
		4	630	3
		9	215	2
		9	425	3
HL10VAZ6-8		3	55	8
		4	633	1
		9	430	1
HL10VAZ6-9		3	50	4
HL10VAZ8-10		3	35	8
		4	605	1
		9	390	1
HL10VAZ8-11		3	30	4
HL10VAZ8-2		4	615	7
		9	400	7
		4	610	5
HL10VAZ8-4		9	395	5
		4	120	6
HL10VAZ8-5		9	80	6
		3	330	1
HL10VAZ8-6		3	335	1
		4	125	5
HL10VAZ8-7		9	85	5
		4	925	4
HL1012AZ5-3		6	175	6
HL1012AZ6-10		1	679	2
HL1012AZ6-12		3	145	2

71-11-31

ILLUSTRATED PARTS LIST

01.1

Page 1033

Jul 01/03

PART NUMBER	AIRLINE PART NO.	FIG.	ITEM	TTL REQ
HL1012AZ6-13		1	401G	2
		1	428	2
HL1012AZ6-14		1	427	1
HL1012AZ6-19		1	401	7
HL1012AZ6-3		1	520	3
HL1012AZ6-5		4	560	3
		9	350	3
HL1012AZ6-6		3	97	4
		3	113	2
		4	580	3
		9	365	3
HL1012AZ6-7		4	570	2
		9	355	2
HL1012AZ6-8		3	99	12
		4	575	4
		9	360	4
HL1012AZ8-10		1	677	4
HL1012AZ8-19		1	403	4
HL1012AZ8-23		2	250	3
HL11VAZ5-19		2	195	6
HL11VAZ5-3		4	655	9
		9	470	9
HL11VAZ5-7		4	695	12
		9	510	12
HL11VAZ6-12		1	398	2
HL11VAZ6-13		1	397	2
HL11VAZ6-19		1	438	1
		1	530	3
		1	819	16
		1	822	16
HL11VAZ6-2		4	635	1
		9	420	1
HL11VAZ6-3		1	766	66
		1	882	12
		1	885	12
		1	929	66
		4	140	12
		4	645	2
		9	100	12
		9	435	2
		10	140	66

**71-11-31**

 ILLUSTRATED PARTS LIST  
 01.1 Page 1034  
 Jul 01/03


**BOEING**  
 COMPONENT  
 MAINTENANCE MANUAL

PART NUMBER	AIRLINE PART NO.	FIG.	ITEM	TTL REQ
HL11VAZ6-4		1	876	5
		1	879	5
HL11VAZ6-5		1	771A	4
		1	936	4
		4	138	1
		4	808	1
		4	834	3
		10	35	4
		10	135	100
HL11VAZ6-9		4	613A	1
HL11VAZ8-12		1	361	6
HL11V6-4		1	876	5
		1	879	5
HL11V6-5		1	771A	4
		1	936	4
		4	138	1
		4	808	1
		4	834	3
		1	812G	4
HL1187-5		6	180	6
HL1187-6		3	101A	16
		3	150A	2
		4	585	13
		9	370	13
HL1187DU6		1	402	9
		1	680	2
		2	350	2
		3	119	2
		1	404	4
HL1187DU8		1	678	4
		2	255	3
		4	915	8
HL1187DU5		4	930	4
		1	684	4
HL1187DU6		3	101	16
		3	150B	2
		4	882	6
		4	925	4
HL12VAZ5-3		6	175	6
HL12VAZ6-10		1	679	2
HL12VAZ6-12		3	145	2
HL12VAZ6-13		1	401G	2
		1	428	2

71-11-31

 ILLUSTRATED PARTS LIST  
 01.1 Page 1035  
 Jul 01/03

PART NUMBER	AIRLINE PART NO.	FIG.	ITEM	TTL REQ
HL12VAZ6-14		1	427	1
HL12VAZ6-19		1	401	7
HL12VAZ6-3		1	520	3
HL12VAZ6-5		4	560	3
		9	350	3
HL12VAZ6-6		3	97	4
		3	113	2
		4	580	3
		9	365	3
HL12VAZ6-7		4	570	2
		9	355	2
HL12VAZ6-8		3	99	12
		4	575	4
		9	360	4
HL12VAZ8-10		1	677	4
HL12VAZ8-19		1	403	4
HL12VAZ8-23		2	250	3
HL13VAZ5-4		4	910	8
HL13VAZ6-10		1	681	1
HL13VAZ6-18		1	388	1
		1	389	2
HL13VAZ6-19		1	387	1
HL13VAZ6-20		1	699	2
HL13VAZ6-21		1	675	1
		2	345	1
HL13VAZ6-22		2	340	1
HL13VAZ6-4		1	765	72
		1	928	72
		10	20	72
HL13VAZ6-5		1	683	2
		4	558	1
		9	345	1

# 71-11-31

 ILLUSTRATED PARTS LIST  
 01.1 Page 1036  
 Jul 01/03


**BOEING**  
 COMPONENT  
 MAINTENANCE MANUAL

PART NUMBER	AIRLINE PART NO.	FIG.	ITEM	TTL REQ
HL13VAZ6-7		4	878	6
HL13VAZ6-9		1	682	1
HL13VAZ8-20		1	708	2
		2	235	2
HL13VAZ8-21		2	240	2
HL13V10		1	681	1
HL13V18		1	388	1
		1	389	2
HL13V19		1	387	1
HL13V20		1	699	2
		1	708	2
		2	235	2
HL13V21		1	675	1
		2	240	2
		2	345	1
HL13V22		2	340	1
HL13V4		1	765	72
		1	928	72
		4	910	8
HL13V5		1	683	2
		4	558	1
		9	345	1
HL13V7		4	878	6
HL13V9		1	682	1
HL440UC5-4		3	106	2
HL441UC5-4		3	106	2
HL505-6-17		1	801	12
HL523AZ5-18		5	125	1
HL70-5		1	419	49
		1	666	33
		2	200	6
		3	372	180
		4	660	9
		4	700	12
		4	868	4
		4	941G	4
		5	130	1
		6	170	18
		9	475	9
		9	515	12

71-11-31

ILLUSTRATED PARTS LIST

01.1

Page 1037

Jul 01/03

PART NUMBER	AIRLINE PART NO.	FIG.	ITEM	TTL REQ
HL77-6 HL79-5		1	807	12
		1	419	49
		1	666	33
		2	200	6
		3	372	180
		4	660	9
		4	700	12
		4	868	4
		4	941G	4
		5	130	1
		6	170	18
		9	475	9
		9	515	12
	HL79-6		1	390
		1	399	16
		1	441	1
		1	536	3
		1	666M	2
		1	676	31
		1	705	6
		1	767	138
		1	771C	9
		1	916	6
		1	930	138
		1	938	9
		2	267	4
		2	305	8
		3	60	12
		3	140	2
		3	200	4
		3	325	17
		4	145	26
		4	147	1
	4	290	2	
	4	650	11	
	4	812	2	
	4	840	3	
	6	10	36	

**71-11-31**

 ILLUSTRATED PARTS LIST  
 01.1 Page 1038  
 Jul 01/03




**BOEING**  
 COMPONENT  
 MAINTENANCE MANUAL

PART NUMBER	AIRLINE PART NO.	FIG.	ITEM	TTL REQ
HL79-6		9	105	26
		9	220	2
		9	440	11
		10	25	72
		10	55	5
		10	145	166
HL79-8		1	363	6
		1	711	2
		2	245	4
		3	40	12
		3	340	2
		4	130	11
		4	620	12
		9	90	11
		9	405	12
HL82-5APBW		1	420	14
HL82-6APBW		1	400	28
		1	429	3
		2	365	2
HL86DU5		4	915	8
		4	930	4
HL86PB5		1	812G	4
		6	180	6
HL87-5		1	812G	4
		6	180	6
HL87-6		3	101A	16
		3	150A	2
		4	585	13
		9	370	13
HL87DUW6		1	402	9
		1	680	2
		2	350	2
		3	119	2
HL87DUW8		1	404	4
		1	678	4
		2	255	3

71-11-31

ILLUSTRATED PARTS LIST

01.1

Page 1039

Jul 01/03

PART NUMBER	AIRLINE PART NO.	FIG.	ITEM	TTL REQ
HL87DU5		4	915	8
		4	930	4
HL87DU6		1	684	4
		3	101	16
		3	150B	2
		4	882	6
HL97DU6		1	523A	7
		1	828A	16
		1	831A	16
		1	888A	17
		1	891A	17
H01-08BAC		1	666C	2
H01-3BAC		1	376	1
		1	385	1
		1	468	1
		1	479	6
		1	590	1
		1	620	2
		1	640	4
		1	696	1
H01-4BAC		1	435	1
		4	380	1
		4	550	3
H10-08BAC		4	198A	1
H10-3BAC		1	690	3
		1	795	5
		2	165	1
		2	179	1
		2	535	1
		3	9L	2
		3	388	2
		3	474	4
		4	190	1

# 71-11-31

 ILLUSTRATED PARTS LIST  
 01.1 Page 1040  
 Jul 01/03


**BOEING**  
 COMPONENT  
 MAINTENANCE MANUAL

PART NUMBER	AIRLINE PART NO.	FIG.	ITEM	TTL REQ
H10-3BAC		4	198	1
		4	651	2
		9	135	1
		9	150	1
		9	410	1
		9	445	2
H10-4BAC		3	343	1
		4	623A	1
H2850-1		4	360	1
H2876-3		4	530	3
H2898-3		4	330A	1
		9	255	1
H2899-5		4	345A	1
		4	670A	2
		9	265	1
		9	485	2
H31-06BAC		8	145	2
		1	864	8
H31-3BAC		1	867	8
		6	135	14
H39953-3		1	652	5
H4B6		3	7	2
H4B6A		3	7A	2
H5100-125-330		4	920	2
H5100-2-125-330		4	920	2
H96-4		4	340	4
		4	872	4
		9	250	4
		4	340	4
H964		4	872	4
		9	250	4
		1	595	1
		1	625	1
JM44LC13WS6R		1	210S	2
JM44SC17S16R		1	210S	2
KFN600-5		1	232S	10
KFN600-5S		1	232S	10
KFN600-6		1	335	1
KFN600-6S		1		
K1001-3BAC		1		

71-11-31

 ILLUSTRATED PARTS LIST  
 01.1 Page 1041  
 Jul 01/03

PART NUMBER	AIRLINE PART NO.	FIG.	ITEM	TTL REQ
K2000-3		3	365	2
K3001-3BAC		4	745	1
		9	560	1
K51602-4BAC		1	54	2
		1	75	10
		1	78	2
		1	111	4
		1	114	2
		1	138	2
		1	156	4
		1	171	4
		1	189	4
LER832-0604J		1	499G	1
L8006-15		1	395	4
		2	360	1
L8006K6		3	320	1
L801-5K4		4	910	8
L801-6K10		1	681	1
L801-6K18		1	388	1
		1	389	2
L801-6K19		1	387	1
L801-6K20		1	699	2
L801-6K21		1	675	1
		2	345	1
L801-6K22		2	340	1
L801-6K4		1	765	72
		1	928	72
		10	20	72
L801-6K5		1	683	2
		4	558	1
		9	345	1
L801-6K7		4	878	6
L801-6K9		1	682	1

71-11-31

 ILLUSTRATED PARTS LIST  
 01.1 Page 1042  
 Jul 01/03


**BOEING**  
 COMPONENT  
 MAINTENANCE MANUAL

PART NUMBER	AIRLINE PART NO.	FIG.	ITEM	TTL REQ
L801-8K20		1	708	2
		2	235	2
L801-8K21		2	240	2
L802-5K3		4	925	4
		6	175	6
L802-6K10		1	679	2
L802-6K12		3	145	2
L802-6K13		1	401G	2
		1	428	2
L802-6K14		1	427	1
L802-6K19		1	401	7
L802-6K3		1	520	3
L802-6K5		4	560	3
		9	350	3
L802-6K6		3	97	4
		3	113	2
		4	580	3
		9	365	3
L802-6K7		4	570	2
		9	355	2
L802-6K8		3	99	12
		4	575	4
		9	360	4
L802-8K10		1	677	4
L802-8K19		1	403	4
L802-8K23		2	250	3
L803-5K19		2	195	6
L803-5K3		4	655	9
		9	470	9
L803-5K7		4	695	12
		9	510	12
L803-6-4		1	876	5
		1	879	5
L803-6-5		1	771A	4
		1	936	4
		4	138	1
		4	808	1
		4	834	3

71-11-31

ILLUSTRATED PARTS LIST

01.1

Page 1043

Jul 01/03

PART NUMBER	AIRLINE PART NO.	FIG.	ITEM	TTL REQ
L803-6K12		1	398	2
L803-6K13		1	397	2
L803-6K19		1	438	1
		1	530	3
		1	819	16
		1	822	16
L803-6K2		4	635	1
		9	420	1
L803-6K3		1	766	66
		1	882	12
		1	885	12
		1	929	66
		4	140	12
		4	645	2
		9	100	12
		9	435	2
L803-6K3		10	140	66
L803-6K5		10	35	4
		10	135	100
L803-6K9		4	613A	1
L803-8K12		1	361	6
L804-5K18		5	125	1
L8055A4		3	106	2
MF1001-08BAC		1	341	11
		2	296	1
		2	325	3
MF1001-3BAC		2	130	14
MF1001-4BAC		2	135	11
		3	470	6
MF53050-3DL		2	130	14
MF6000-3		3	260	4
MK1000-3BAC		2	570	3
MK1001-08BAC		2	385	2
		4	830	1
MK2001-06BAC		8	165	2
MK2001-3BAC		1	555	4
		2	215	3
MK3001-08BAC		2	295A	1
MK3001-4BAC		4	685	6
		9	500	6
MK4001-3BAC		4	800	5
		9	555	3

71-11-31

 ILLUSTRATED PARTS LIST  
 01.1 Page 1044  
 Jul 01/03


**BOEING**  
 COMPONENT  
 MAINTENANCE MANUAL

PART NUMBER	AIRLINE PART NO.	FIG.	ITEM	TTL REQ
MS16562-3		4	873	4
MS20253P4-270		4	874B	2
MS20257XC5-300		4	885B	1
MS20257YC5-300		4	885A	1
MS20615-3M		8	175	7
		8	265	7
		8	305	5
		8	330A	5
		8	345	5
MS20615-5MP		2	10	6
		4	255	5
MS20615-5MP6		9	195	5
MS21042L3		4	654H	3
MS21140-0611P		4	822A	1
MS21141-0502P		2	575A	3
MS21141-0503P		4	512	7
MS21141-0504P		4	495	2
MS21141-0506P		4	514	1
MS21141-0604P		4	595B	7
MS21141-0604P		9	380A	7
MS21141-0605P		3	317	8
MS21141-0606P		3	322	2
		4	590B	19
		9	375A	19
MS21141-0612P		4	820A	2
MS21209C0820P		1	744	2
MS21209F4-10P		3	65	6
MS21209F8-10		3	275	1
MS21921-6J		1	492A	1
		1	497A	2
MS35338-43		3	472	4
MS35650-305S		3	474G	4
MS90353-0603		1	926A	4
M13640-048		1	53	4
		1	74	20
		1	77	4
		1	110	4
		1	113	2
		1	137	2
		1	155	8
		1	170	8
		1	188	8

71-11-31

 ILLUSTRATED PARTS LIST  
 01.1 Page 1045  
 Jul 01/03

PART NUMBER	AIRLINE PART NO.	FIG.	ITEM	TTL REQ
NAS1398CW4		4	982	9
		9	610	9
NAS1398CW5-2		1	657	1
NAS1398CW5-3		1	422	1
		1	656	1
		1	669	1
		4	814	1
NAS1398CW5-4		4	816	1
NAS1398CW6-11		4	80	3
		9	55	3
NAS1398CW6-12		4	75	3
NAS1398CW6-13		4	77	4
NAS1398CW6-3		1	421	1
NAS1398CW6-4		4	415	5
		4	470	4
		9	305	5
NAS1398CW6-5		3	355	2
		4	55	2
		4	56	1
		4	395	10
		4	460	11
NAS1398CW6-5		9	40	3
		9	285	10
NAS1398CW6-6		4	40	5
		4	42	8
		4	400	2
		4	465	1
		9	20	13
		9	290	2
NAS1398CW6-7		4	45	1
		9	25	1
NAS1398CW6-8		4	57	13
		4	60	1
		4	405	4
		4	455	5
		4	600	1
		9	35	12
		9	295	4
		9	385	1

**71-11-31**

 ILLUSTRATED PARTS LIST  
 01.1 Page 1046  
 Jul 01/03




**BOEING**  
 COMPONENT  
 MAINTENANCE MANUAL

PART NUMBER	AIRLINE PART NO.	FIG.	ITEM	TTL REQ
NAS1398CW6-9		4	47	2
		4	50	7
		4	390	4
		4	450	4
		9	30	2
		9	280	4
NAS1398CW8-12		4	280	1
		9	210	1
NAS1398CW8-13		4	35A	3
		9	15	3
NAS1398CW8-14		4	30A	1
		9	10	1
NAS1398CW8-7		4	410	3
		4	474	3
		9	300	3
NAS1398CW8-9		4	412	1
		4	472	1
		9	310	1
NAS1399CW6-11		4	85	1
NAS1399CW6-12		4	70	1
NAS1399CW6-13		4	79	4
		9	65	1
NAS1399CW6-8		4	62	9
		4	65	1
		9	60	9
NAS1399CW6-9		4	52	1
NAS1716C40M		1	456	1
NAS1716C48M		1	453	1
NAS1801-3-12		3	471	4
NAS1805-4N		1	698	2
NAS42DD6-19		1	597A	1
NAS43DD3-8		3	115	2
NAS509-4C		1	751	2
		4	955	2
NAS514P1032-12P		1	852A	8
		1	855A	8

71-11-31

ILLUSTRATED PARTS LIST

01.1

Page 1047

Jul 01/03

PART NUMBER	AIRLINE PART NO.	FIG.	ITEM	TTL REQ
NAS514P1032-8P		1	645	5
		1	789	5
		1	852	8
		1	855	8
NAS620C10L		1	651	5
NAS623-3-20		1	375A	1
		1	381	1
NAS623-3-21		1	375	1
NAS623-3-26		2	160	1
		2	516	1
		4	180	1
		9	125	1
NAS6703H12		2	175	1
		2	525	1
		2	532	1
NAS6703U4		1	476	2
NM102701300		1	447	2
NS103190-048		1	912	2
NS103191SE02-2		1	242	1
		1	254	1
		1	269	1
		1	284	1
		1	302	1
		1	309	1
		3	295	12
		1	338	12
NS103191SE02-3		1	338	12
NS103193SE02		6	155	4
NS103193SE048		1	200A	54
NS103194SE02-2		1	218	1
		1	230	1
		1	257	1
		1	272	1
		1	287	1
		1	305	1
	1	310	1	

# 71-11-31

 ILLUSTRATED PARTS LIST  
 01.1 Page 1048  
 Jul 01/03


**BOEING**  
 COMPONENT  
 MAINTENANCE MANUAL

PART NUMBER	AIRLINE PART NO.	FIG.	ITEM	TTL REQ
NS103195SE02		4	745	1
NS103195SE02		9	560	1
NS103197-02		2	570	3
NS103197SE82		2	385	2
		4	830	1
NS103198SE02		1	555	4
		2	215	3
NS103198SE62		8	165	2
NS103199SE048		4	685	6
		9	500	6
NS103199SE82		2	295A	1
NS103200SE02		4	800	5
		9	555	3
NS103202SE02		1	335	1
NS103203-02		3	455	32
NS103203SE02		2	140	2
		3	180	2
		6	150	8
NS103203SE048		4	430A	1
NS103218SE02		2	130	14
NS103218SE048		2	135	11
		3	470	6
NS103218SE82		1	341	11
		2	296	1
		2	325	3
NS202101-02		1	690	3
		1	795	5
		2	165	1
		2	179	1
		2	535	1
		3	9L	2
		3	388	2
		3	474	4
		4	190	1
		4	198	1
		4	651	2
		9	135	1
		9	150	1
		9	410	1
		9	445	2

71-11-31

 ILLUSTRATED PARTS LIST  
 01.1 Page 1049  
 Jul 01/03

PART NUMBER	AIRLINE PART NO.	FIG.	ITEM	TTL REQ
NS202101-048		3	343	1
		4	623A	1
NS202101-82		4	198A	1
		1	376	1
NS202101SE02		1	385	1
		1	468	1
NS202101SE02		1	479	6
		1	590	1
		1	620	2
		1	640	4
		1	696	1
		1	666C	2
NS202101SE82		1	864	8
		1	867	8
NS202101S02		6	135	14
		8	145	2
NS202101S62		1	54	2
		1	75	10
		1	78	2
		1	111	4
		1	114	2
		1	138	2
		1	156	4
		1	171	4
		1	189	4
		1	200	54
NS202476-048		1	447	2
NS202495-048		2	575	3
PDVC1137300		2	575	3
PLT1001-5-2		2	570	3
P164-2		3	365	2
RMA9201M3		3	455	32
RMA9207-3		1	912	2
RMF9201-3		4	340	4
RMF9212-4		4	872	4
RMLH22-4		9	250	4

71-11-31

 ILLUSTRATED PARTS LIST  
 01.1 Page 1050  
 Jul 01/03


**BOEING**  
 COMPONENT  
 MAINTENANCE MANUAL

PART NUMBER	AIRLINE PART NO.	FIG.	ITEM	TTL REQ
RMLH224		4	340	4
		4	872	4
		9	250	4
RMLH9075-3W		1	690	3
		1	795	5
		2	165	1
		2	179	1
		2	535	1
		3	9L	2
		3	388	2
		3	474	4
		4	190	1
		4	198	1
		4	651	2
RMLH9075-3W		9	135	1
		9	150	1
		9	410	1
		9	445	2
		9	445	2
RMLH9075-4W		3	343	1
		4	623A	1
RMLH9075-82W		4	198A	1
RR2002-4B6		3	7	2
RR2002-4B6A		3	7A	2
RV541A3C		4	425A	1
		9	315A	1
R8918M0150AAN		1	500	1
SL705093		1	652	5
SL7059C1032		1	652	5
SZ6924-4B6		3	7	2
SZ6924-4B6A		3	7A	2
S258T16		1	600	1
S315T106-2		1	515A	1
S315T106-3		1	515C	1
S315T107-180		8	10C	1
S315T107-181		8	10D	1

71-11-31

 ILLUSTRATED PARTS LIST  
 01.1 Page 1051  
 Jul 01/03

PART NUMBER	AIRLINE PART NO.	FIG.	ITEM	TTL REQ
S315T107-182		8	72B	1
S315T107-183		8	73B	1
S315T107-51		8	72	1
S315T107-52		8	73	1
S315T107-53		8	25	1
S315T107-54		8	30	1
S315T107-55		8	35	1
S315T107-56		8	40	1
S315T107-57		8	45	1
S315T107-58		8	50	1
S315T107-59		8	55	1
S315T107-60		8	60	1
S315T107-61		8	65	1
S315T107-62		8	70	1
S315T107-63		8	15	1
S315T107-64		8	20	1
S315T107-65		8	10	1
S315T107-67		4	943	1
S315T110-2		4	360B	1
S332T308-1		1	870D	1
S332T308-1		1	873B	1
S332T308-4		1	870E	1
		1	873C	1
S369WH6		1	595	1
S386H16		1	625	1
TA12C32WS6		1	595	1
TA12C34S16		1	625	1
TA4C44S16T		1	600	1
T6C1032J		1	864	8
		1	867	8
		6	135	14

71-11-31

 ILLUSTRATED PARTS LIST  
 01.1 Page 1052  
 Jul 01/03


**BOEING**  
 COMPONENT  
 MAINTENANCE MANUAL

PART NUMBER	AIRLINE PART NO.	FIG.	ITEM	TTL REQ
T6C1032JM		1	376	1
		1	385	1
		1	468	1
		1	479	6
		1	590	1
		1	620	2
		1	640	4
		1	696	1
T6C428JM		1	435	1
		4	380	1
T6C632J		4	550	3
		8	145	2
T6C832JM		1	666C	2
T6S1032J		1	690	3
		1	795	5
		2	165	1
		2	179	1
		2	535	1
		3	9L	2
		3	388	2
		3	474	4
		4	190	1
		4	198	1
		4	651	2
		9	135	1
		9	150	1
		9	410	1
		9	445	2
T6S428J		3	343	1
		4	623A	1
T6S832J		4	198A	1
T8076S1032		2	570	3
T8080C832		2	385	2
		4	830	1
T8081C1032		1	555	4
		2	215	3
T8081C632		8	165	2
T8082C428		4	685	6
		9	500	6
T8082C832		2	295A	1
T8083C1032		4	800	5
		9	555	3
T8089C1032		1	335	1
T8091S1032		3	455	32

71-11-31

 ILLUSTRATED PARTS LIST  
 01.1 Page 1053  
 Jul 01/03

PART NUMBER	AIRLINE PART NO.	FIG.	ITEM	TTL REQ
T8092C1032		2	140	2
		3	180	2
		6	150	8
T8092C428		4	430A	1
T8092C428CD		1	54	2
		1	75	10
		1	78	2
		1	111	4
		1	114	2
		1	138	2
		1	156	4
		1	171	4
		1	189	4
T8109S1032		3	365	2
T8113C428C		3	215	2
T8113C832C		4	832	1
T8119C3		4	745	1
		9	560	1
T8125C08C		1	341	11
		2	296	1
		2	325	3
T8125C3C		2	130	14
T8125C4C		2	135	11
		3	470	6
US2103-06JL		1	654	1
US2113-0604J		1	499G	1
VAL280094		4	340	4
		4	872	4
		9	250	4
VN101A1-02		3	365	2
VN102D1-02		1	335	1
VN103D1-02		4	745	1
		9	560	1
VN151D1-048		3	215	2
VN151D1-82		4	832	1
VN152A1-02		3	455	32
VN152D1-02		2	140	2
		3	180	2
		6	150	8
VN152D1-048		4	430A	1
VN201D1-02		1	555	4
		2	215	3
VN201D1-62L		8	165	2
VN202A1-02		2	570	3

71-11-31

 ILLUSTRATED PARTS LIST  
 01.1 Page 1054  
 Jul 01/03




**BOEING**  
 COMPONENT  
 MAINTENANCE MANUAL

PART NUMBER	AIRLINE PART NO.	FIG.	ITEM	TTL REQ
VN202D1-82		2	385	2
		4	830	1
VN203D1-048		4	685	6
		9	500	6
		2	295A	1
VN203D1-82		2	295A	1
VN204D1-02		4	800	5
		9	555	3
VN252D02		2	130	14
VN252D048		2	135	11
		3	470	6
VN252D82		1	341	11
		2	296	1
VN303A02		2	325	3
		1	690	3
		1	795	5
		2	165	1
		2	179	1
		2	535	1
		3	9L	2
		3	388	2
		3	474	4
		4	190	1
		4	198	1
		4	651	2
		9	135	1
		9	150	1
		9	410	1
VN303A048		9	445	2
		3	343	1
		4	623A	1
VN303A82		4	198A	1
VN303B02		1	864	8
		1	867	8
		6	135	14

71-11-31

ILLUSTRATED PARTS LIST

01.1

Page 1055

Jul 01/03

PART NUMBER	AIRLINE PART NO.	FIG.	ITEM	TTL REQ
VN303B62		8	145	2
VN303D02		1	376	1
		1	385	1
		1	468	1
		1	479	6
		1	590	1
		1	620	2
		1	640	4
		1	696	1
VN303D048		1	435	1
		4	380	1
		4	550	3
VN303D82		1	666C	2
WC130-5-4		3	106	2
101LH9075-3W		1	864	8
		1	867	8
		6	135	14
101LH9075-62W		8	145	2
102A9205-3		4	745	1
		9	560	1
102F9201-4		1	54	2
		1	75	10
		1	78	2
		1	111	4
		1	114	2
		1	138	2
		1	156	4
		1	171	4
		1	189	4
102F9207P3		1	317	1
		1	342	1
102F9207P4		1	55	2
		1	76	10
		1	79	2
		1	112	4
		1	115	2
		1	139	2
		1	157	4
		1	172	4
		1	190	4

71-11-31

 ILLUSTRATED PARTS LIST  
 01.1 Page 1056  
 Jul 01/03


**BOEING**  
 COMPONENT  
 MAINTENANCE MANUAL

PART NUMBER	AIRLINE PART NO.	FIG.	ITEM	TTL REQ
104F9213-2-3		1	242	1
104F9213-2-3		1	254	1
		1	269	1
		1	284	1
		1	302	1
		1	309	1
		3	295	12
104F9213-3-3		1	338	12
104F9216-2-3		1	218	1
		1	230	1
		1	257	1
		1	272	1
		1	287	1
		1	305	1
		1	310	1
109A9201-3		1	335	1
109A9201M82		2	385	2
		4	830	1
109A9205M4		4	685	6
		9	500	6
109A9205M82		2	295A	1
109A9207M3		1	555	4
		2	215	3
109A9207M62		8	165	2
109A9209M3		4	800	5
		9	555	3
109F177-3		4	735	3
		4	795	1
		9	550	3
109F177-4		4	680	6
		4	710	3
		9	495	6
		9	525	3

71-11-31

ILLUSTRATED PARTS LIST

01.1

Page 1057

Jul 01/03

PART NUMBER	AIRLINE PART NO.	FIG.	ITEM	TTL REQ
109F9201-3		2	140	2
		3	180	2
		6	150	8
109F9201-4		4	430A	1
109F9201M3		2	130	14
109F9201M4		2	135	11
109F9201M4		3	470	6
109F9201M82		1	341	11
		2	296	1
		2	325	3
109F9207-4		3	215	2
109F9207-82		4	832	1
109LH9031-3		1	652	5
109LH90313		1	652	5
109LH9075-3W		1	376	1
		1	385	1
		1	468	1
		1	479	6
		1	590	1
		1	620	2
		1	640	4
		1	696	1
109LH9075-4W		1	435	1
		4	380	1
		4	550	3
109LH9075-82W		1	666C	2
14J29300		1	447	2
2-01027-6H		1	492B	1
2-010890604J		1	499G	1
2-02813-04JL		1	654	1
2-02903-06H		1	492	1
		1	497	2
2790605-103		1	515A	1
315T1448-2		4	535	3
315T1448-3		4	365	1
315T1450-2		1	751L	1
		4	975	1
315T1451-2		1	752	1
		4	980	1
315T1452-2		1	751G	1
		4	965	1
315T3002-16		1	720	1

71-11-31

ILLUSTRATED PARTS LIST

01.1

Page 1058

Jul 01/03


**BOEING**  
 COMPONENT  
 MAINTENANCE MANUAL

PART NUMBER	AIRLINE PART NO.	FIG.	ITEM	TTL REQ
315T3002-25		1	1	RF
315T3002-26		1	10	RF
315T3002-27		1	15	RF
315T3002-28		1	5	RF
315T3002-33		1	1G	RF
315T3002-35		1	15G	RF
315T3002-43		1	1R	RF
315T3002-45		1	15R	RF
315T3002-47		1	1V	RF
315T3002-49		1	15V	RF
315T3002-5009		1	20A	1
315T3002-5010		1	30A	1
315T3002-5011		1	20	1
315T3002-5012		1	30	1
315T3002-5013		1	35A	1
315T3002-5014		1	25A	1
315T3002-5015		1	35	1
315T3002-5016		1	25	1
315T3002-5017		1	20G	1
315T3002-5019		1	35G	1
315T3002-5021		1	20H	1
315T3002-5022		1	30B	1
315T3002-5023		1	35H	1
315T3002-5024		1	25B	1
315T3002-5030		1	30F	1
315T3002-5031		1	20K	1
315T3002-5032		1	25C	1
315T3002-5033		1	20J	1
315T3002-5035		1	35Q	1
315T3002-5038		1	30D	1
315T3002-5045		1	35R	1
315T3002-5046		1	25D	1
315T3002-5047		1	23	1
315T3002-5049		1	28	1
315T3002-5051		1	20M	1
315T3002-5053		1	35T	1
315T3002-5055		1	20L	1
315T3002-5057		1	35S	1
315T3002-5089		1	20T	1
315T3002-5091		1	35V	1
315T3007-1		1	425A	1
315T3007-2		1	426A	1
315T3007-3		1	425	1
315T3007-4		1	426	1
315T3008-1		1	667	1

71-11-31

ILLUSTRATED PARTS LIST

01.1

Page 1059

Jul 01/03

PART NUMBER	AIRLINE PART NO.	FIG.	ITEM	TTL REQ
315T3008-2		1	668	1
315T3100-3		1	919	1
315T3100-4		1	919G	1
315T3100-43		1	903	1
315T3100-44		1	906	1
315T3100-45		1	919A	1
315T3100-46		1	919H	1
315T3100-5001		1	907	1
315T3100-5002		1	908	1
315T3100-5003		1	907A	1
315T3100-5004		1	908A	1
315T3100-5005		1	907G	1
315T3100-5009		1	907H	1
315T3100-5010		1	908B	1
315T3100-5011		1	907P	1
315T3100-5012		1	908H	1
315T3100-55		1	903A	1
315T3100-57		1	903B	1
315T3100-58		1	906A	1
315T3100-59		1	918A	1
315T3100-60		1	921A	1
315T3100-63		1	918G	1
315T3100-64		1	921G	1
315T3100-65		1	918N	1
315T3100-66		1	921N	1
315T3100-75		1	919B	1
315T3100-76		1	919J	1
315T3101-1		1	920	1
315T3101-125		1	920A	1
315T3101-126		1	920M	1
315T3101-151		1	920B	1
315T3101-153		1	920C	1
315T3101-170		1	920N	1
315T3101-2		1	920L	1
315T3114-20		1	897	1

**71-11-31**

 ILLUSTRATED PARTS LIST  
 01.1 Page 1060  
 Jul 01/03


**BOEING**  
 COMPONENT  
 MAINTENANCE MANUAL

PART NUMBER	AIRLINE PART NO.	FIG.	ITEM	TTL REQ
315T3120-15		1	510B	1
315T3120-16		1	510C	1
315T3120-17		1	510D	1
315T3121-1		1	810	1
315T3121-2		1	812K	1
315T3121-7		1	811	1
315T3122-1		1	783	1
315T3122-3		1	804	12
315T3123-24		1	894	1
315T3123-37		1	894A	1
315T3124-5		1	813	1
315T3124-6		1	816	1
315T3124-7		1	868	2
315T3124-7		1	869	1
315T3125-16		6	140	1
315T3125-19		6	140A	1
315T3125-2		6	195	1
315T3125-3		6	200	1
315T3125-31		6	140B	1
315T3126-1		1	900	1
		6	1	RF
315T3126-10		6	25	2
315T3126-11		6	220	1
315T3126-12		6	225	1
315T3126-15		6	55	2
315T3126-16		6	60	2
315T3126-17		6	65	2
315T3126-18		6	70	2
315T3126-19		6	75	2
315T3126-2		6	100	1
315T3126-20		6	30	2

71-11-31

 ILLUSTRATED PARTS LIST  
 01.1 Page 1060A  
 Jul 01/03

PART NUMBER	AIRLINE PART NO.	FIG.	ITEM	TTL REQ
315T3126-21		6	85	1
315T3126-22		6	230	2
315T3126-25		6	100A	1
315T3126-3		6	35	2
315T3126-33		6	100B	1
315T3126-34		6	100C	1
315T3126-4		6	40	2
315T3126-5		6	45	2
315T3126-5001		6	3	1
315T3126-5002		6	3A	1
315T3126-5003		6	3B	1
315T3126-5004		6	3C	1
315T3126-5005		6	3D	1
315T3126-6		6	50	2
315T3126-7		6	15	1
315T3126-8		6	20	1
315T3126-9		6	80	1
315T3127-12		1	524B	1
315T3127-7		1	524	1
315T3128-1		1	432	1
315T3128-11		1	490A	1
315T3128-14		1	432A	1
315T3128-16		1	432B	1
315T3128-3		1	495	1
315T3129-2		1	505A	1
315T3130-10		2	205	3
315T3130-11		1	562	1
315T3130-12		1	545	1
315T3130-2		1	540	1
315T3130-7		1	560	1
315T3130-9		2	218	3
315T3135-1		1	834	2
		1	837	2
315T3135-2		1	840	1
		1	843	1
315T3135-3		1	846	1
		1	849	1
315T3136-1		6	215	1
315T3137-1		6	90	1
315T3137-2		6	95	1

71-11-31

 ILLUSTRATED PARTS LIST  
 01.1 Page 1060B  
 Jul 01/03




**BOEING**  
 COMPONENT  
 MAINTENANCE MANUAL

PART NUMBER	AIRLINE PART NO.	FIG.	ITEM	TTL REQ
315T3137-3		6	90B	1
315T3137-4		6	95B	1
315T3201-10		3	440	1
315T3201-11		3	445	1
315T3201-12		3	415C	1
315T3201-13		3	420	1
315T3201-14		3	425	1
315T3201-20		3	445A	1
315T3201-25		3	420A	1
315T3201-26		3	425A	1
315T3201-27		3	445B	1
315T3201-28		3	375D	1
315T3201-29		3	380D	1
315T3201-30		3	410B	1
315T3201-31		3	415B	1
315T3201-5		3	375C	1
315T3201-6		3	380C	1
315T3201-7		3	435	5
315T3201-8		3	405	1
315T3201-9		3	410	1
315T3202-100		3	370B	1
315T3202-101		3	373A	1
315T3202-102		3	374A	1
315T3202-104		3	368	1
315T3202-43		3	160	4
315T3202-44		3	165	4
315T3202-48		3	370	1
315T3202-5001		3	10	1
315T3202-5002		3	15	1
315T3202-5003		3	10A	1
315T3202-5004		3	15A	1
315T3202-5005		3	10B	1
315T3202-5006		3	15C	1
315T3202-5008		3	15B	1
315T3202-5009		3	10D	1
315T3202-5010		3	15E	1
315T3202-5011		3	10C	1
315T3202-5012		3	15D	1
315T3202-5013		3	10E	1
315T3202-5017		3	10F	1
315T3202-5018		3	15F	1
315T3202-5019		3	10G	1
315T3202-5023		3	10H	1
315T3202-5024		3	15G	1
315T3202-5033		3	10J	1

71-11-31

 ILLUSTRATED PARTS LIST  
 01.1 Page 1060C  
 Jul 01/03

PART NUMBER	AIRLINE PART NO.	FIG.	ITEM	TTL REQ
315T3202-5034		3	15H	1
315T3202-5037		3	10K	1
315T3202-5038		3	15J	1
315T3202-59		3	373	1
315T3202-60		3	374	1
315T3202-73		1	565	1
		3	1	RF
315T3202-74		1	570	1
		3	5	RF
315T3203-1		1	775	1
315T3203-3		1	946	1
315T3203-4		1	946A	1
315T3204-21		1	922A	1
		10	1A	RF
315T3204-22		1	923A	1
		10	5	RF
315T3204-5		1	922	1
315T3204-5001		1	924	1
315T3204-5002		1	925	1
315T3204-5003		1	924A	1
315T3204-5004		1	925A	1
315T3204-5005		1	924B	1
315T3204-5006		1	925B	1
315T3204-5007		1	924C	1
315T3204-5008		1	925C	1
315T3204-5009		1	924D	1
315T3204-5010		1	925D	1
315T3204-6		1	923	1
315T3204-7		1	753B	1
315T3204-8		1	756B	1
315T3206-15		3	280C	1

71-11-31

 ILLUSTRATED PARTS LIST  
 01.1 Page 1060D  
 Jul 01/03


**BOEING**  
 COMPONENT  
 MAINTENANCE MANUAL

PART NUMBER	AIRLINE PART NO.	FIG.	ITEM	TTL REQ
315T3206-16		3	285C	1
315T3206-17		3	297	1
315T3206-18		3	298	1
315T3206-19		3	280D	1
315T3206-20		3	285D	1
315T3206-21		3	297A	1
315T3206-22		3	298A	1
315T3206-27		3	297B	1
315T3206-28		3	298B	1
315T3206-29		3	280E	1
315T3206-30		3	285E	1
315T3210-1		1	62	5
		1	65	1
315T3210-10		1	47A	1
315T3210-11		1	90A	5
		1	91A	1
315T3210-12		1	60A	1
315T3210-13		1	61B	1
315T3210-3		1	44	1
315T3210-4		1	47	1
315T3210-5		1	60	1
315T3210-6		1	61	1
315T3210-7		1	90	5
		1	91	1
315T3210-8		1	62A	5
		1	65A	1
315T3210-9		1	44A	1
315T3212-1		1	128	1
315T3212-11		1	128A	1
315T3212-12		1	131A	1
315T3212-13		1	92A	2
		1	95A	1

71-11-31

 ILLUSTRATED PARTS LIST  
 01.1 Page 1060E  
 Jul 01/03

PART NUMBER	AIRLINE PART NO.	FIG.	ITEM	TTL REQ
315T3212-14		1	98A	2
		1	101A	1
315T3212-15		1	144A	1
315T3212-16		1	145A	1
315T3212-17		1	124A	2
		1	125A	1
315T3212-18		1	126A	2
		1	127A	1
315T3212-2		1	131	1
315T3212-3		1	92	2
		1	95	1
315T3212-4		1	98	2
		1	101	1
315T3212-5		1	144	1
315T3212-6		1	145	1
315T3212-7		1	124	2
		1	125	1
315T3212-8		1	126	2
		1	127	1
315T3214-1		1	182	2
315T3214-10		1	195A	2
315T3214-2		1	179	2
315T3214-5		1	196	2
315T3214-6		1	195	2
315T3214-7		1	182A	2
315T3214-8		1	179A	2
315T3214-9		1	196A	2
315T3216-1		1	774A	1
315T3216-2		1	774B	1
315T3216-3		1	945	1
315T3216-4		1	945A	1
315T3216-7		1	945B	1
315T3216-8		1	945C	1
315T3220-1		1	768A	6
		1	931	6
		10	30	6
315T3222-10		1	927M	1

# 71-11-31

 ILLUSTRATED PARTS LIST  
 01.1 Page 1060F  
 Jul 01/03


**BOEING**  
 COMPONENT  
 MAINTENANCE MANUAL

PART NUMBER	AIRLINE PART NO.	FIG.	ITEM	TTL REQ
315T3222-2		1	762	1
315T3222-3		1	778	1
315T3222-4		1	927	1
315T3222-5		1	927A	1
315T3222-9		10	15	1
315T3223-5		10	160	1
315T3224-10		10	155	1
315T3224-9		10	150	1
315T3239-17		6	185A	1
315T3239-18		6	190A	1
315T3239-7		6	185	1
315T3239-8		6	190	1
315T3240-1		1	781	1
		5	1	RF
315T3240-16		5	53	2
315T3240-2		1	782	1
		5	5	RF
315T3240-3		5	55	1
315T3240-4		5	45	1
315T3240-5		5	15	1
315T3240-5001		5	8	1
315T3240-5002		5	12	1
315T3240-5005		5	8A	1
315T3240-5006		5	12A	1
315T3240-5007		5	8B	1
315T3240-5008		5	12B	1
315T3240-6		5	50	1
315T3240-7		5	35	1
315T3240-8		5	45A	1
315T3241-1		5	75	1
315T3241-11		5	190	1
315T3241-12		5	195	1
315T3241-13		5	30	1
315T3241-14		5	40	1
315T3241-15		5	25	1
315T3241-16		5	20	1
315T3241-17		5	60	1
315T3241-18		5	65	1
315T3241-19		5	175	1
315T3241-2		5	80	1
315T3241-20		5	95	1
315T3241-21		5	105	1
315T3241-22		5	110	1
315T3241-26		5	100	1
		5	200	1

71-11-31

 ILLUSTRATED PARTS LIST  
 01.1 Page 1060G  
 Jul 01/03

PART NUMBER	AIRLINE PART NO.	FIG.	ITEM	TTL REQ
315T3241-27		5	205	1
315T3241-28		5	210	1
315T3241-29		5	215	1
315T3241-3		5	85	1
315T3241-30		5	220	1
315T3241-31		5	185	1
315T3241-32		5	180	1
315T3241-33		5	115A	1
315T3241-34		5	120A	1
315T3241-35		5	155B	1
315T3241-36		5	160B	1
315T3241-37		5	135A	1
315T3241-38		5	140A	1
315T3241-39		5	150A	1
315T3241-4		5	90	1
315T3241-41		5	115B	1
315T3241-42		5	120B	1
315T3241-43		5	155C	1
315T3241-44		5	160C	1
315T3241-45		5	135B	1
315T3241-46		5	140B	1
315T3241-47		5	150B	1
315T3245-1		3	265	1
315T3245-2		3	277	1
315T3256-3		1	714	1
315T3256-4		1	717	1
315T3257-1		2	155A	1
		2	510	1
		4	195A	1
		9	140A	1
315T3257-2		2	170	1
		2	515	1
		4	195B	1
		9	140B	1
315T3259-1		1	146	2

71-11-31

 ILLUSTRATED PARTS LIST  
 01.1 Page 1060H  
 Jul 01/03


**BOEING**  
 COMPONENT  
 MAINTENANCE MANUAL

PART NUMBER	AIRLINE PART NO.	FIG.	ITEM	TTL REQ
315T3259-10		1	163A	2
315T3259-2		1	149	2
315T3259-3		1	162	2
315T3259-4		1	163	2
315T3259-7		1	146A	2
315T3259-8		1	149A	2
315T3259-9		1	162A	2
315T3262-1		1	164A	2
315T3262-2		1	177A	2
315T3262-4		1	164B	2
315T3262-5		1	177B	2
315T3300-1		1	366	1
		2	1	RF
315T3300-11		2	100	1
315T3300-12		2	268A	1
315T3300-13		2	269A	1
315T3300-2		1	369	1
		2	5	RF
315T3300-5		2	90	1
315T3300-5001		2	6	1
315T3300-5002		2	7	1
315T3300-5003		2	6A	1
315T3300-5004		2	7A	1
315T3300-5005		2	6B	1
315T3300-5006		2	7B	1
315T3300-5009		2	6C	1
315T3300-5010		2	7C	1
315T3300-5019		2	6D	1
315T3300-5020		2	7D	1
315T3300-5023		2	6F	1
315T3300-5024		2	7F	1
315T3300-6		2	85	1
315T3301-45		2	193	1
315T3301-60		2	194	1
315T3301-65		2	190A	1

71-11-31

 ILLUSTRATED PARTS LIST  
 01.1 Page 1060I  
 Jul 01/03

PART NUMBER	AIRLINE PART NO.	FIG.	ITEM	TTL REQ
315T3301-66		2	191	1
315T3301-69		2	190	1
315T3301-70		2	191A	1
315T3302-1		2	145	1
315T3302-2		2	150	1
315T3302-3		2	187	1
315T3302-4		2	188	1
315T3302-5		2	500	1
315T3302-6		2	505	1
315T3302-7		2	550	1
315T3302-8		2	555	1
315T3303-10		2	35A	1
315T3303-11		2	47A	1
315T3303-12		2	49A	1
315T3303-13		2	30B	1
315T3303-14		2	35B	1
315T3303-15		2	47B	1
315T3303-16		2	49B	1
315T3303-17		2	30C	1
315T3303-18		2	35C	1
315T3303-19		2	47C	1
315T3303-20		2	49C	1
315T3303-9		2	30A	1
315T3305-107		1	203	1
315T3305-108		1	206	1
315T3305-115		1	221A	1
315T3305-116		1	224A	1
315T3305-125		1	211	1
315T3305-126		1	213	1
315T3305-5001		1	207	1
315T3305-5002		1	208	1
315T3305-5003		1	207A	1
315T3305-5004		1	208A	1
315T3305-5005		1	207B	1
315T3305-5006		1	208B	1

# 71-11-31

 ILLUSTRATED PARTS LIST  
 01.1 Page 1060J  
 Jul 01/03




**BOEING**  
 COMPONENT  
 MAINTENANCE MANUAL

PART NUMBER	AIRLINE PART NO.	FIG.	ITEM	TTL REQ
315T3305-5007		1	207C	1
315T3305-5008		1	208C	1
315T3305-5009		1	207D	1
315T3305-5010		1	208D	1
315T3305-59		1	306	1
315T3305-60		1	307	1
315T3305-63		1	293	1
315T3305-64		1	296	1
315T3305-67		1	275	1
315T3305-68		1	278	1
315T3305-71		1	260	1
315T3305-72		1	263	1
315T3305-75		1	245	1
315T3305-76		1	248	1
315T3305-79		1	233	1
315T3305-80		1	236	1
315T3307-23		1	312	1
315T3307-24		1	313	1
315T3307-25		1	319	1
315T3307-26		1	320	1
315T3307-38		1	329	1
315T3307-43		1	319A	1
315T3307-44		1	320A	1
315T3307-49		1	319B	1
315T3307-50		1	320B	1
315T3307-5001		1	314	1
315T3307-5002		1	315	1
315T3307-5003		1	314A	1
315T3307-5004		1	315A	1
315T3307-5005		1	314B	1
315T3307-5006		1	315B	1
315T3308-23		2	297D	1
315T3308-24		2	298D	1
315T3308-25		2	270	1
315T3308-26		2	275	1
315T3308-27		2	297C	1
315T3308-28		2	298C	1
315T3308-29		2	299A	1
315T3308-33		2	270B	1
315T3308-34		2	275B	1
315T3308-35		2	299B	1
315T3309-1		2	370	1
315T3309-2		2	375	1
315T3309-3		2	390	1
315T3309-4		2	395	1

71-11-31

 ILLUSTRATED PARTS LIST  
 01.1 Page 1060K  
 Jul 01/03

PART NUMBER	AIRLINE PART NO.	FIG.	ITEM	TTL REQ
315T3310-5		2	310	1
315T3310-6		2	315	1
315T3310-7		2	330	1
315T3310-8		2	335	1
315T3314-10		3	349	1
315T3314-7		3	300	1
315T3314-8		3	305	1
315T3314-9		3	347	1
315T3315-1		3	345	2
315T3317-1		2	155	1
		2	507	1
		4	195	1
315T3317-1		9	140	1
315T3318-101		1	430A	1
		8	1	RF
315T3318-102		1	431A	1
		8	5	RF
315T3318-103		8	255	1
315T3318-104		8	260	1
315T3318-105		8	370	1
315T3318-106		8	375	1
315T3318-107		8	380	1
315T3318-108		8	385	1
315T3318-11		8	350	1
315T3318-111		8	220	1
315T3318-112		8	225	1
315T3318-113		8	245	1
315T3318-114		8	250	1
315T3318-12		8	355	1
315T3318-13		8	235	1
315T3318-133		1	430C	1
315T3318-134		1	431C	1

# 71-11-31

 ILLUSTRATED PARTS LIST  
 01.1 Page 1060L  
 Jul 01/03


**BOEING**  
 COMPONENT  
 MAINTENANCE MANUAL

PART NUMBER	AIRLINE PART NO.	FIG.	ITEM	TTL REQ
315T3318-135		8	220A	1
315T3318-136		8	225A	1
315T3318-139		8	360A	1
315T3318-14		8	240	1
315T3318-140		8	365A	1
315T3318-141		8	350A	1
315T3318-142		8	355A	1
315T3318-143		8	235A	1
315T3318-144		8	240A	1
315T3318-145		8	335A	1
315T3318-146		8	340A	1
315T3318-147		8	320A	1
315T3318-148		8	325A	1
315T3318-149		8	310A	1
315T3318-15		8	335	1
315T3318-150		8	315A	1
315T3318-151		8	275A	1
315T3318-152		8	280A	1
315T3318-153		8	285A	1
315T3318-154		8	290A	1
315T3318-157		8	270A	1
315T3318-16		8	340	1
315T3318-163		8	255C	1
315T3318-164		8	260C	1
315T3318-169		8	255E	1
315T3318-170		8	260D	1
315T3318-171		8	380A	1
315T3318-172		8	385A	1
315T3318-179		8	74	1
315T3318-183		8	255G	1
315T3318-185		8	255H	1
315T3318-186		8	260E	1
315T3318-27		8	320	1
315T3318-28		8	325	1
315T3318-45		8	270	1

71-11-31

 ILLUSTRATED PARTS LIST  
 01.1 Page 1060M  
 Jul 01/03

PART NUMBER	AIRLINE PART NO.	FIG.	ITEM	TTL REQ
315T3318-47		8	310	1
315T3318-48		8	315	1
315T3318-49		8	275	1
315T3318-50		8	280	1
315T3318-5007		1	430H	1
		8	1B	RF
315T3318-5008		1	431H	1
		8	5B	RF
315T3318-5009		1	430J	1
		8	1C	RF
315T3318-5010		1	431J	1
		8	5C	RF
315T3318-5011		1	430K	1
		8	1D	RF
315T3318-5013		1	430L	1
		8	1E	RF
315T3318-5014		1	431K	1
		8	5D	RF
315T3318-5015		1	430M	1
		8	1F	RF
315T3318-51		8	285	1
315T3318-52		8	290	1
315T3318-7		8	360	1
315T3318-8		8	365	1
315T3319-13		8	200	1
315T3319-17		8	180	1
315T3319-20		8	120	1
315T3319-25		8	75	1
315T3319-26		8	80	1
315T3319-31		8	100	1
315T3319-32		8	115	1
315T3319-33		8	125	1
315T3319-34		8	130	1

# 71-11-31

 ILLUSTRATED PARTS LIST  
 01.1 Page 1060N  
 Jul 01/03


**BOEING**  
 COMPONENT  
 MAINTENANCE MANUAL

PART NUMBER	AIRLINE PART NO.	FIG.	ITEM	TTL REQ
315T3319-35		8	205	1
315T3319-36		8	210	1
315T3319-38		8	185	1
315T3319-39		8	190	1
315T3319-41		8	195A	1
315T3319-42		8	180A	1
315T3319-43		8	185A	1
315T3319-44		8	190A	1
315T3319-47		8	125B	1
315T3319-48		8	130B	1
315T3319-49		8	205A	1
315T3319-50		8	210A	1
315T3319-51		8	125E	1
315T3319-52		8	195B	1
315T3319-53		8	100A	1
315T3319-6		8	90	1
315T3319-7		8	93	1
315T3319-8		8	96	1
315T3400-130		4	757	3
		9	580	3
315T3400-137		4	824	1
315T3400-147		4	305	1
		9	230	1
315T3400-149		4	295	1
		9	225	1
315T3400-150		4	300	1
315T3400-199		4	770A	1
		9	600	1
315T3400-200		1	692B	1
		4	5H	RF
315T3400-207		1	691A	1
		1	693P	1
		4	1C	RF
315T3400-208		1	692C	1
		1	693Q	1
		4	5J	RF
315T3400-219		1	692L	1
		9	1A	RF
315T3400-220		1	692K	1
		4	5K	RF
315T3400-244		4	806B	1
315T3400-247		4	756B	1
		9	575	1
315T3400-5003		4	10	1
315T3400-5014		4	17A	1
315T3400-5016		4	17	1

71-11-31

 ILLUSTRATED PARTS LIST  
 01.1 Page 10600  
 Jul 01/03

PART NUMBER	AIRLINE PART NO.	FIG.	ITEM	TTL REQ
315T3400-5021		4	17B	1
315T3400-62		4	826	1
315T3400-67		4	788	1
315T3401-39		4	983	1
		9	615	1
315T3401-55		4	981	1
315T3401-57		4	984	1
315T3401-58		4	984C	1
315T3401-67		4	981A	1
315T3401-68		4	981D	1
315T3401-69		4	984A	1
315T3401-70		4	984E	1
315T3401-72		4	984D	1
315T3401-77		9	605	1
315T3401-78		4	981E	1
315T3401-79		9	620	1
315T3401-80		4	984F	1
315T34016-22		4	884	1
315T3402-1		4	25	1
315T3402-3		4	202	1
315T3402-5		4	20	1
		9	5	1
315T3402-6		4	203	1
		9	160	1
315T3403-10		4	860B	3
315T3403-8		4	845A	3
315T3403-9		4	860A	3
315T3406-3		2	20	1
315T3406-4		2	25	1
		4	265	1
315T3406-5		4	260	1
		9	205	1
315T3409-1		1	738	1
315T3409-10		1	750A	1
315T3409-2		1	741	1

71-11-31

 ILLUSTRATED PARTS LIST  
 01.1 Page 1060P  
 Jul 01/03


**BOEING**  
 COMPONENT  
 MAINTENANCE MANUAL

PART NUMBER	AIRLINE PART NO.	FIG.	ITEM	TTL REQ
315T3409-3		1	747	1
315T3409-4		1	750	1
315T3409-7		1	738A	1
315T3409-8		1	741A	1
315T3409-9		1	747A	1
315T3411-1		4	725	1
		9	540	1
315T3411-2		4	785	1
315T3412-1		4	385	1
		9	275	1
315T3412-2		4	432	1
		9	330	1
315T3412-4		4	432B	1
		9	330B	1
315T3412-6		4	432A	1
		9	330A	1
315T3412-7		4	385A	1
		9	275A	1
315T3412-9		4	432C	1
		9	330C	1
315T3413-1		4	445	1
315T3413-10		4	510A	1
315T3413-11		4	500	1
315T3413-17		4	445C	1
315T3413-2		4	510	1
315T3413-4		4	510B	1
		4	519	1
315T3413-6		4	511	1
315T3413-7		4	518	1
315T3414-1		4	855	6
315T3415-6		4	200B	1
315T3415-7		4	200A	1
		9	155A	1

71-11-31

 ILLUSTRATED PARTS LIST  
 01.1 Page 1060Q  
 Jul 01/03

PART NUMBER	AIRLINE PART NO.	FIG.	ITEM	TTL REQ
315T3415-8		2	180	1
		2	540	1
315T3415-9		2	185	1
		2	545	1
315T3416-11		4	884A	1
		4	885C	1
315T3416-15		4	942A	1
315T3416-22		4	864D	1
		4	876	1
		4	942A	1
315T3416-23		4	864E	1
315T3416-24		4	942D	1
315T3416-25		4	942C	1
315T3416-26		4	942E	1
315T3416-27		4	945C	1
315T3416-5		4	905	2
315T3416-6		4	890	2
315T3416-7		4	884	1
315T3416-8		4	935	1
315T3416-9		4	940	1
315T3417-3		4	690	3
		9	505A	3
315T3417-4		4	715	3
		9	530	3
315T3422-11		4	555A	1
315T3422-12		4	687A	1
315T3422-15		9	340	1
315T3422-7		4	555	1
315T3422-8		4	687	1
315T3423-1		4	325	1
		9	240	1
315T3424-1		4	355	3
		9	270	3
315T3537-1		2	115	1
315T3537-2		2	120	1
315T3554-2		1	917	1
315T3569-1		4	876	1
315T3569-2		4	876A	1

**71-11-31**

 ILLUSTRATED PARTS LIST  
 01.1 Page 1060R  
 Jul 01/03




**BOEING**  
 COMPONENT  
 MAINTENANCE MANUAL

PART NUMBER	AIRLINE PART NO.	FIG.	ITEM	TTL REQ
315T3576-1		4	516	1
315T3577-1		1	751J	1
		4	970	1
315T3578-1		1	750G	1
		4	950	1
315T3633-112		3	107	1
315T3633-113		3	125	1
315T3633-114		3	130	1
315T3633-138		3	190A	1
315T3633-139		3	185A	1
315T3633-149		3	185B	1
315T3633-150		3	190B	1
315T3633-98		3	173	1
315T3633-99		3	182	1
315T3634-1		3	25	2
		3	27	1
315T3634-10		3	22A	1
315T3634-11		3	27A	1
315T3634-12		3	72A	1
315T3634-13		3	74A	1
315T3634-2		3	20	2
		3	22	1
315T3634-3		3	74	3
315T3634-4		3	72	3
315T3656-14		3	235	1
315T3656-15		3	230	1
315T3664-1		1	753B	1
		1	776	1
315T3664-2		1	756B	1
		1	776A	1
315T3665-7		4	755D	1
		9	570	1
315T3704-1		3	350	1
315T3704-2		3	367	1
315T3707-1		1	693	1
315T3707-2		1	693G	1
315T3730-2		3	95	1
315T3730-3		3	121	1
315T3730-4		3	123	1
315T3730-7		3	90	1
315T4203-10		10	110A	1
315T4203-7		10	105	1
315T4203-8		10	110	1

71-11-31

 ILLUSTRATED PARTS LIST  
 01.1 Page 1060S  
 Jul 01/03

PART NUMBER	AIRLINE PART NO.	FIG.	ITEM	TTL REQ
315T4203-9		10	105A	1
315T4210-1		1	44B	1
315T4210-10		1	52	2
		1	70	10
		1	73	2
		1	106	4
		1	109	2
		1	136	2
		1	154	4
		1	169	4
		1	187	4
315T4210-11		1	59A	1
		1	86B	5
		1	89B	1
		1	122B	2
		1	123B	1
		1	143A	1
315T4210-2		1	47B	1
315T4210-3		1	62C	5
		1	65C	1
		1	92D	2
315T4210-3		1	95D	1
		1	98D	2
		1	101D	1
315T4210-5		1	60B	1
315T4210-6		1	61C	1
315T4210-7		1	90B	5
		1	91B	1
		1	124C	2
		1	125C	1
		1	126C	2
		1	127C	1
315T4210-9		1	51	2
		1	69	10
		1	72	2
		1	105	4
		1	108	2
		1	135	2
		1	153	4
		1	168	4
		1	186	4
315T4212-1		1	128C	1
315T4212-2		1	131C	1
315T4212-3		1	62D	5
		1	65D	1
		1	92C	2
		1	95C	1

71-11-31

 ILLUSTRATED PARTS LIST  
 01.1 Page 1060T  
 Jul 01/03


**BOEING**  
 COMPONENT  
 MAINTENANCE MANUAL

PART NUMBER	AIRLINE PART NO.	FIG.	ITEM	TTL REQ
315T4212-4		1	62E	5
		1	65E	1
		1	98C	2
		1	101C	1
		1	144B	1
315T4212-5		1	145B	1
315T4212-6		1	90C	5
315T4212-7		1	91C	1
		1	124B	2
		1	125B	1
		1	90D	5
		1	91D	1
315T4212-8		1	126B	2
		1	127B	1
		1	182C	2
		1	179C	2
		1	182D	2
315T4214-1		1	179D	2
315T4214-2		1	196B	2
315T4214-3		1	195B	2
315T4214-4		1	196C	2
315T4214-5		1	195C	2
315T4214-6		1	80	1
315T4214-7		1	85	1
315T4214-8		1	146C	2
315T4216-5		10	149E	2
315T4216-6		10	162C	2
315T4259-1		1	163C	2
315T4259-10		1	149C	2
315T4259-11		1	162B	2
315T4259-12		1	163B	2
315T4259-2		1	146D	2
315T4259-3		1	149D	2
315T4259-4		1	146E	2
315T4259-7		1	164D	2
315T4259-8		1	177C	2
315T4259-9		1	942	1
315T4262-1		4	492B	1
315T4262-2		1	655A	1
3153416-22		1	575	1
31875-6H		1	492B	1
332T3071-22		1	492	1
332T3074-1		1	497	2
35056V06		1	497	2
35235V06		1	735	3
43710E02		4	795	1
		4	795	1
		4	735	3
		9	550	3

71-11-31

 ILLUSTRATED PARTS LIST  
 01.1 Page 1060U  
 Jul 01/03

PART NUMBER	AIRLINE PART NO.	FIG.	ITEM	TTL REQ
43710E048		4	680	6
		4	710	3
		9	495	6
		9	525	3
		1	447	2
4385AF300		1	447	2
4671097H6		1	492B	1
4690009-06JL		1	654	1
475CS16		1	600	1
509S6		1	595	1
512S16		1	625	1
5830205-101		1	515C	1
60B89012-501		6	115	1
60B89012-502		6	120	1
60B89012-504		6	115C	1
60B89012-505		6	120C	1
60B90602-1		1	653	1
60B90602-1		1	798	1
66014-5		1	419	49
		1	666	33
		2	200	6
		3	372	180
		4	660	9
		4	700	12
		4	868	4
		4	941G	4
		5	130	1
		6	170	18
		9	475	9
		9	515	12

# 71-11-31

 ILLUSTRATED PARTS LIST  
 01.1 Page 1060V  
 Jul 01/03


**BOEING**  
 COMPONENT  
 MAINTENANCE MANUAL

PART NUMBER	AIRLINE PART NO.	FIG.	ITEM	TTL REQ	
66014-6		1	390	3	
		1	399	16	
		1	441	1	
		1	536	3	
		1	666M	2	
		1	676	31	
		1	705	6	
		1	767	138	
		1	771C	9	
		1	916	6	
		1	930	138	
		1	938	9	
		2	267	4	
		2	305	8	
		3	60	12	
		3	140	2	
		3	200	4	
		3	325	17	
		4	145	26	
		4	147	1	
		4	290	2	
		4	650	11	
		4	812	2	
		4	840	3	
		6	10	36	
		9	105	26	
		9	220	2	
		9	440	11	
		10	25	72	
		10	55	5	
		10	145	166	
	66014-8		1	363	6
	66014-8		1	711	2
		2	245	4	
		3	40	12	
		3	340	2	
		4	130	11	
		4	620	12	
		9	90	11	
		9	405	12	
66015-6		1	807	12	
67067-5A4		3	106	2	
67832AS1032		1	652	5	
67832AS3		1	652	5	
678324		4	340	4	
		4	872	4	
		9	250	4	

71-11-31

 ILLUSTRATED PARTS LIST  
 01.1 Page 1060W  
 Jul 01/03

PART NUMBER	AIRLINE PART NO.	FIG.	ITEM	TTL REQ
69B97503-1		1	59	1
		1	86	5
		1	89	1
		1	122	2
		1	123	1
		1	143	1
		1	161	2
		1	176	2
		1	194	2
		3	7	2
701-4B6		3	7	2
8084C16T		1	600	1
8425-180		8	10C	1
8425-181		8	10D	1
8425-182		8	72B	1
8425-183		8	73B	1
8425-51		8	72	1
8425-52		8	73	1
8425-53		8	25	1
8425-54		8	30	1
8425-55		8	35	1
8425-56		8	40	1
8425-57		8	45	1
8425-58		8	50	1
8425-59		8	55	1
8425-60		8	60	1
8425-61		8	65	1
8425-62		8	70	1
8425-63		8	15	1
8425-64		8	20	1
8425-65		8	10	1
8425-67		4	943	1
864C,		4	930	4
9NS202101SE048		1	435	1
		4	380	1
		4	550	3

# 71-11-31

 ILLUSTRATED PARTS LIST  
 01.1 Page 1060X  
 Jul 01/03


**BOEING**  
 COMPONENT  
 MAINTENANCE MANUAL

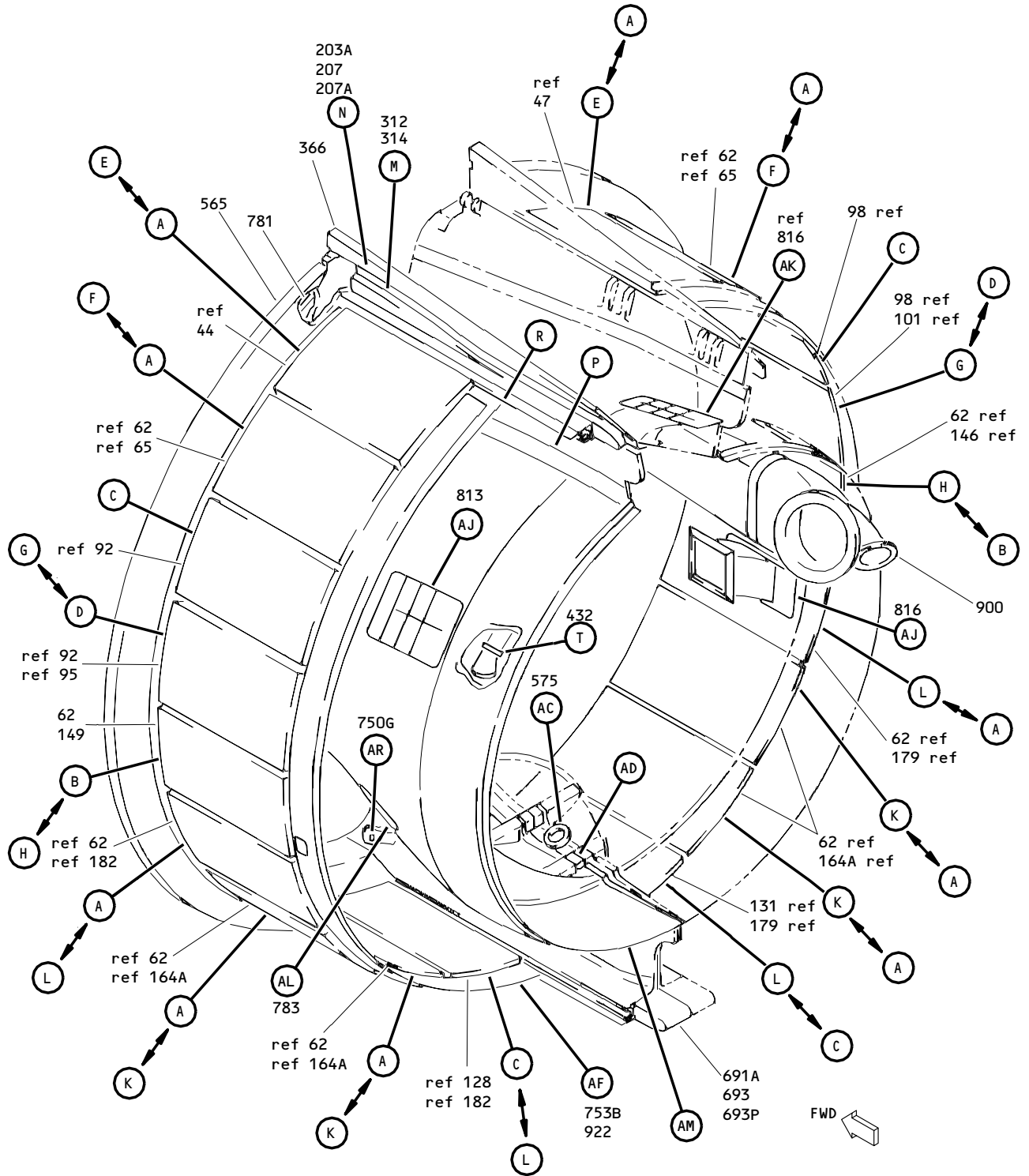
PART NUMBER	AIRLINE PART NO.	FIG.	ITEM	TTL REQ
9425-2		4	360B	1
95850M0150AAN		1	500	1
96-02		1	690	3
		1	795	5
		2	165	1
		2	179	1
		2	535	1
		3	9L	2
		3	388	2
		3	474	4
		4	190	1
		4	198	1
		4	651	2
		9	135	1
		9	150	1
		9	410	1
		9	445	2
96-048		3	343	1
		4	623A	1
96-82		4	198A	1
97-02		1	864	8
		1	867	8
		6	135	14
97-62		8	145	2
97E02		1	376	1
		1	385	1
		1	468	1
		1	479	6
		1	590	1
97E02		1	620	2
		1	640	4
		1	696	1
97E48		1	435	1
		4	380	1
		4	550	3
97E82		1	666C	2

71-11-31

 ILLUSTRATED PARTS LIST  
 01.1 Page 1060Y  
 Jul 01/03

# BOEING

COMPONENT  
MAINTENANCE MANUAL

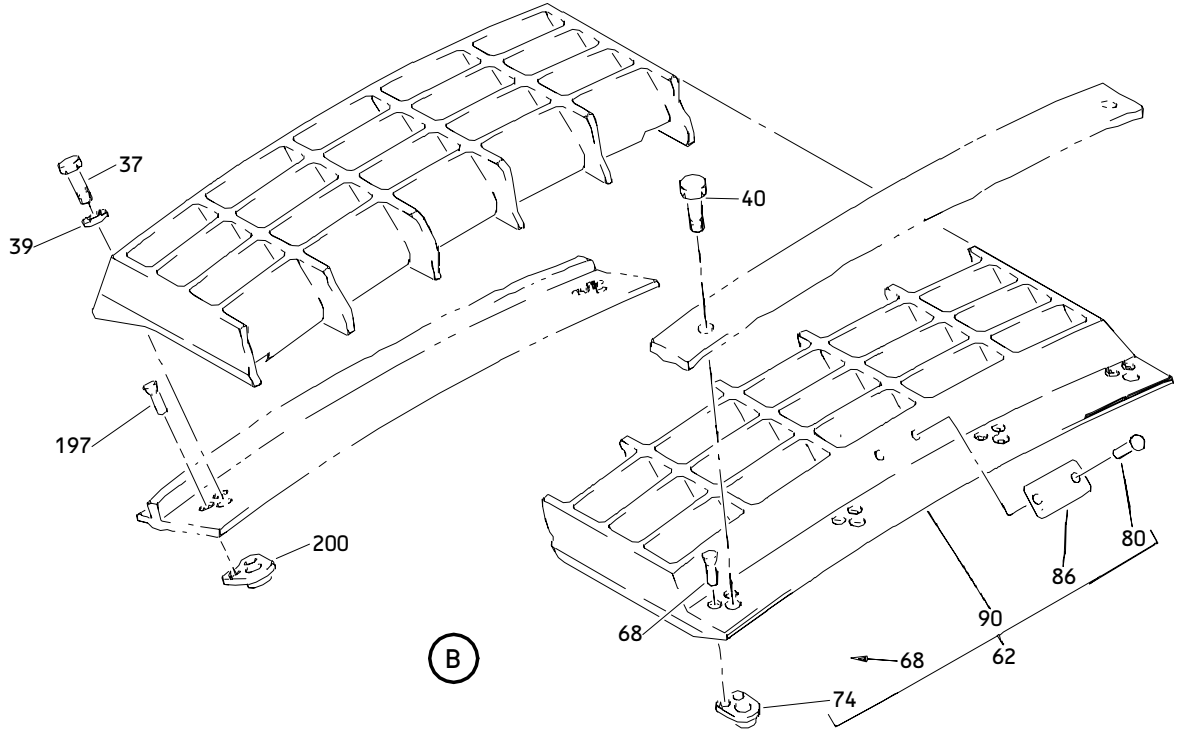
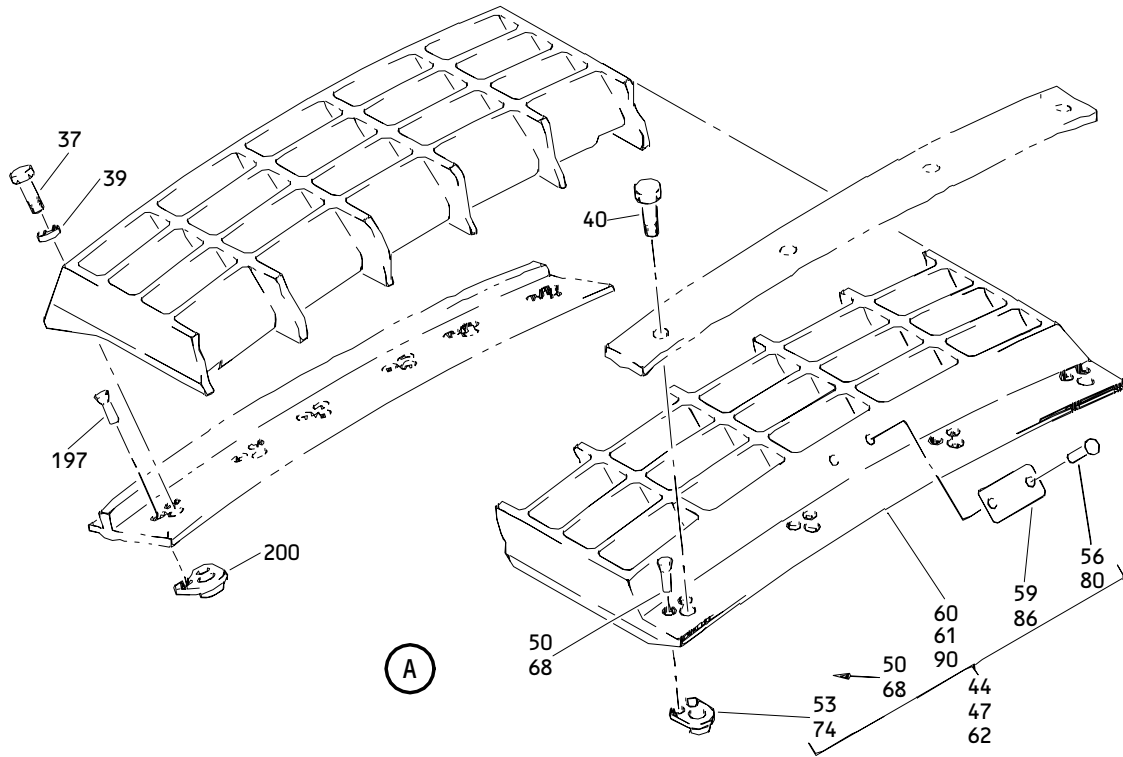


Engine Outboard and Inboard Side Fan Duct Cowling Assemblies  
Figure 1 (Sheet 1)

71-11-31

ILLUSTRATED PARTS LIST  
01.1 Page 1061  
Jul 01/03

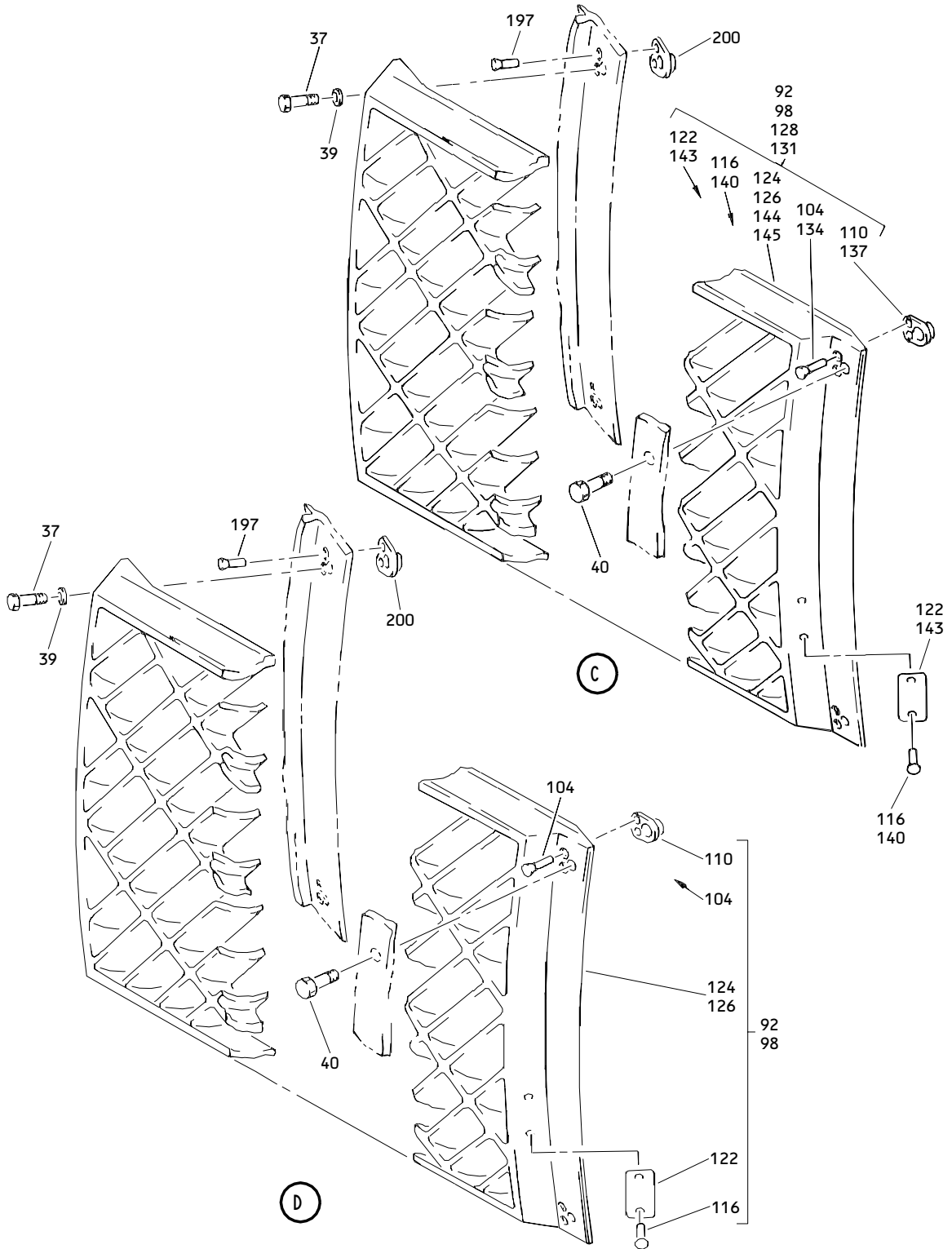




Engine Outboard and Inboard Side Fan Duct Cowling Assemblies  
 Figure 1 (Sheet 2)

**71-11-31**

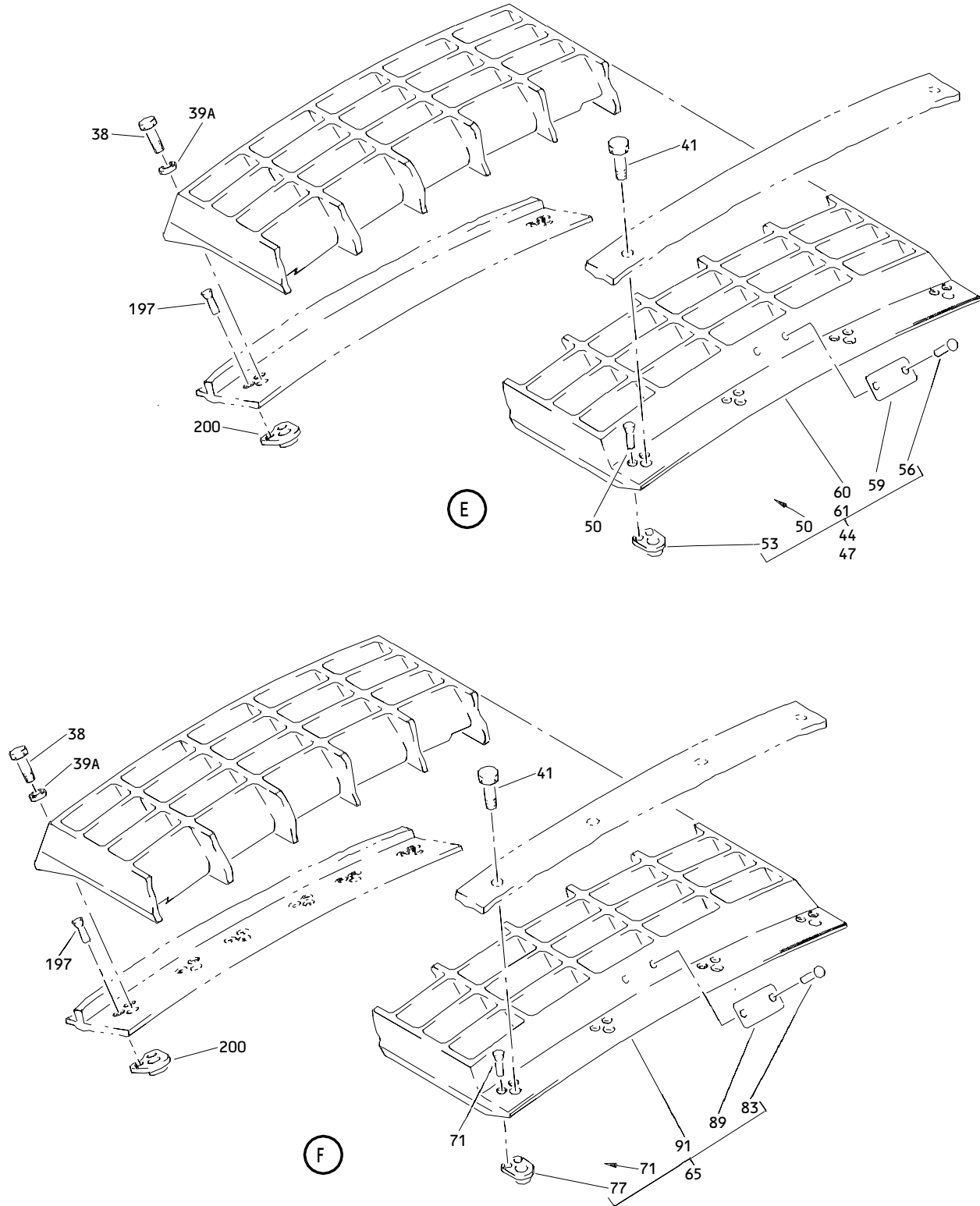
ILLUSTRATED PARTS LIST  
 01.1 Page 1062  
 Jul 01/03



Engine Outboard and Inboard Side Fan Duct Cowling Assemblies  
Figure 1 (Sheet 3)

**71-11-31**

ILLUSTRATED PARTS LIST  
01.1 Page 1062A  
Jul 01/03

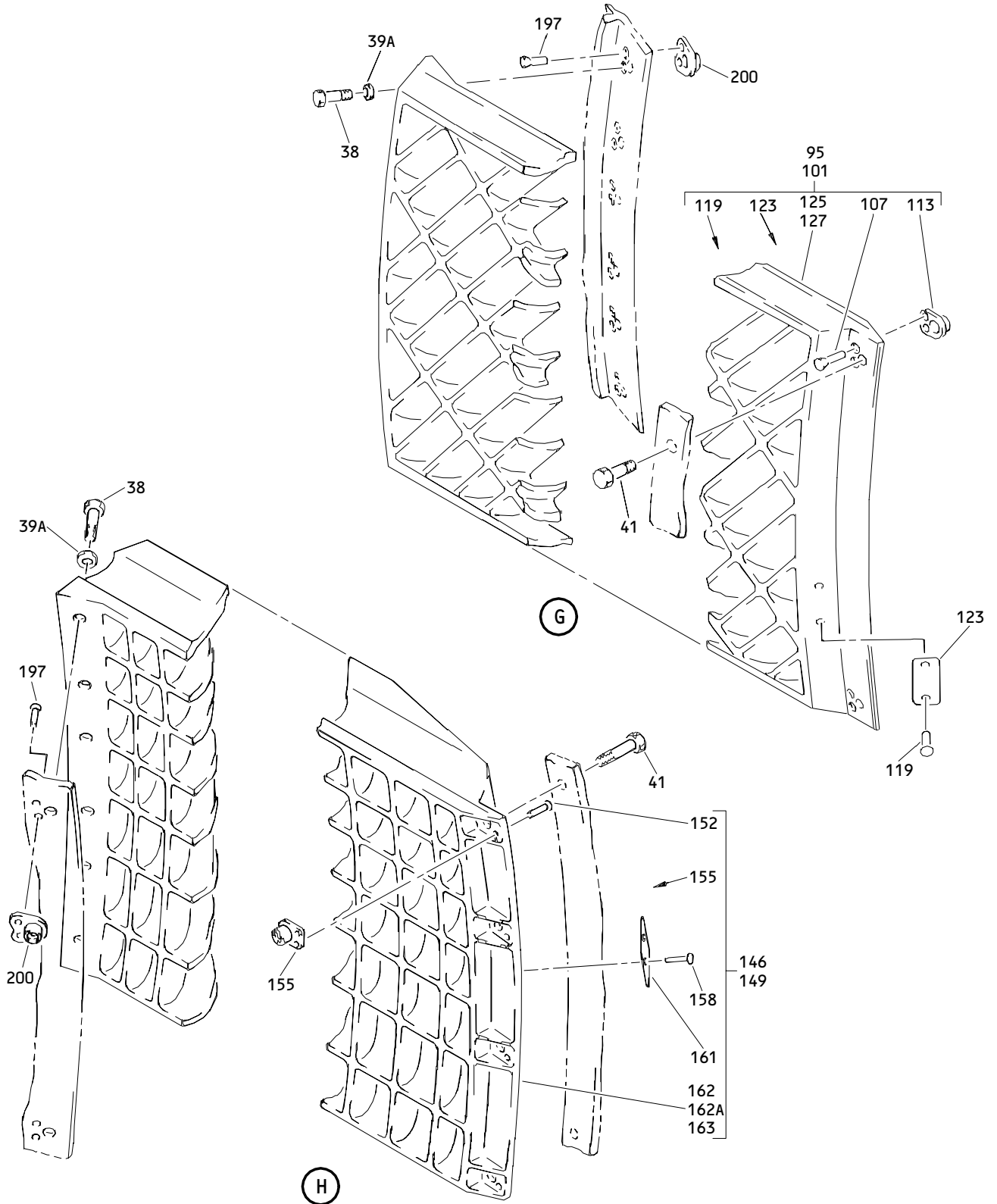


Engine Outboard and Inboard Side Fan Duct Cowling Assemblies  
 Figure 1 (Sheet 4)

**71-11-31**

ILLUSTRATED PARTS LIST  
 01.1 Page 1062B  
 Jul 01/03

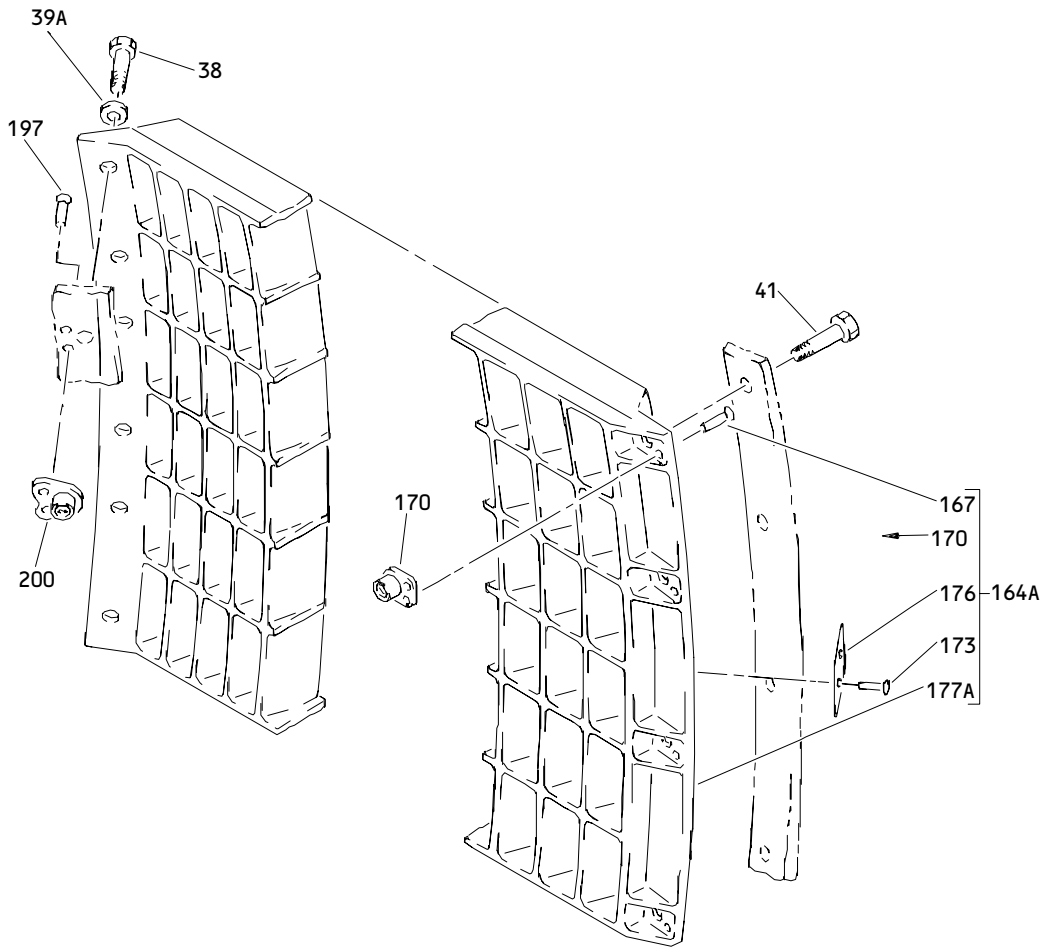
**BOEING**  
COMPONENT  
MAINTENANCE MANUAL



Engine Outboard and Inboard Side Fan Duct Cowling Assemblies  
Figure 1 (Sheet 5)

**71-11-31**

ILLUSTRATED PARTS LIST  
01.1 Page 1062C  
Jul 01/03



(K)

Engine Outboard and Inboard Side Fan Duct Cowling Assemblies  
Figure 1 (Sheet 6)

**71-11-31**

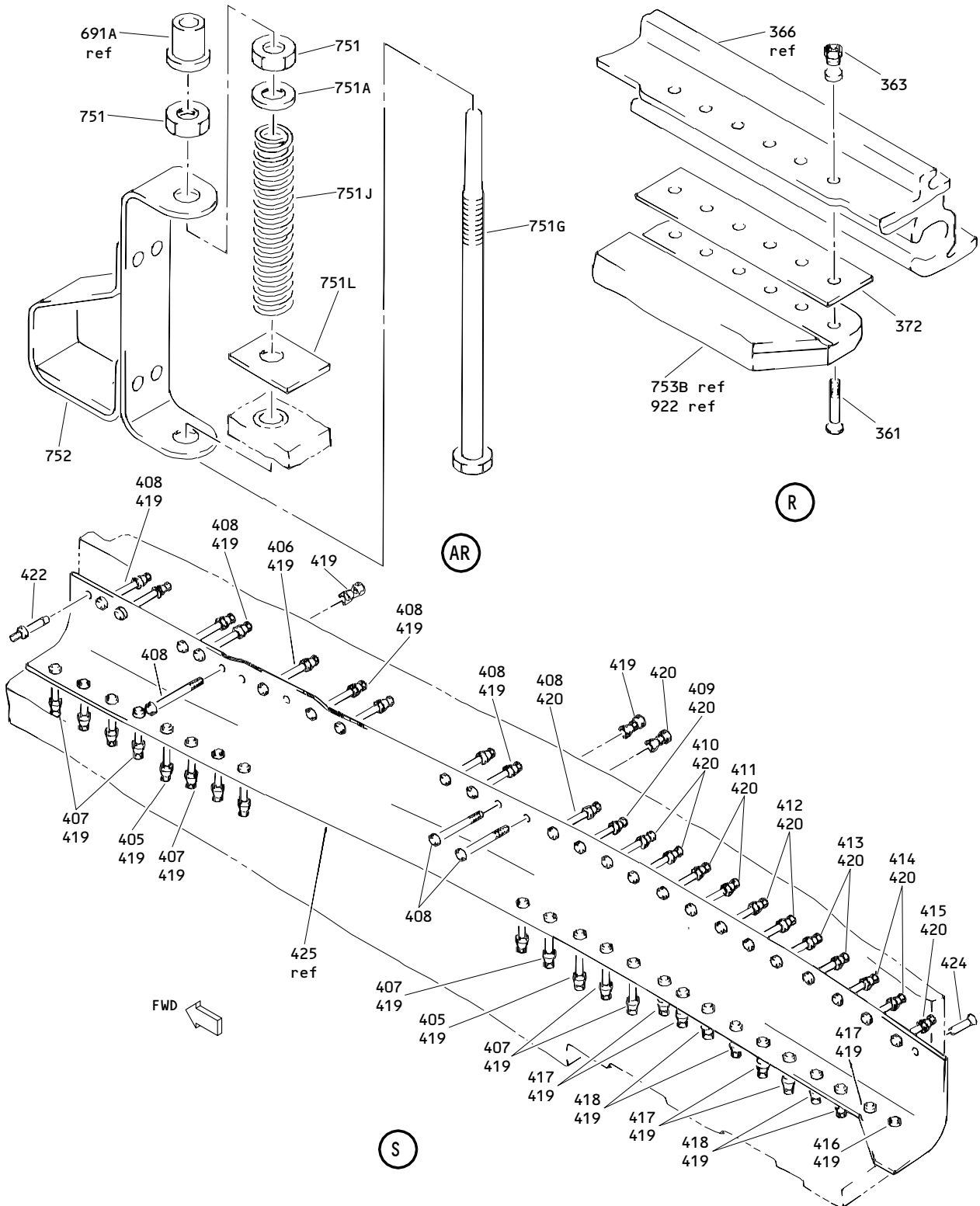
ILLUSTRATED PARTS LIST  
01.1 Page 1062D  
Jul 01/03









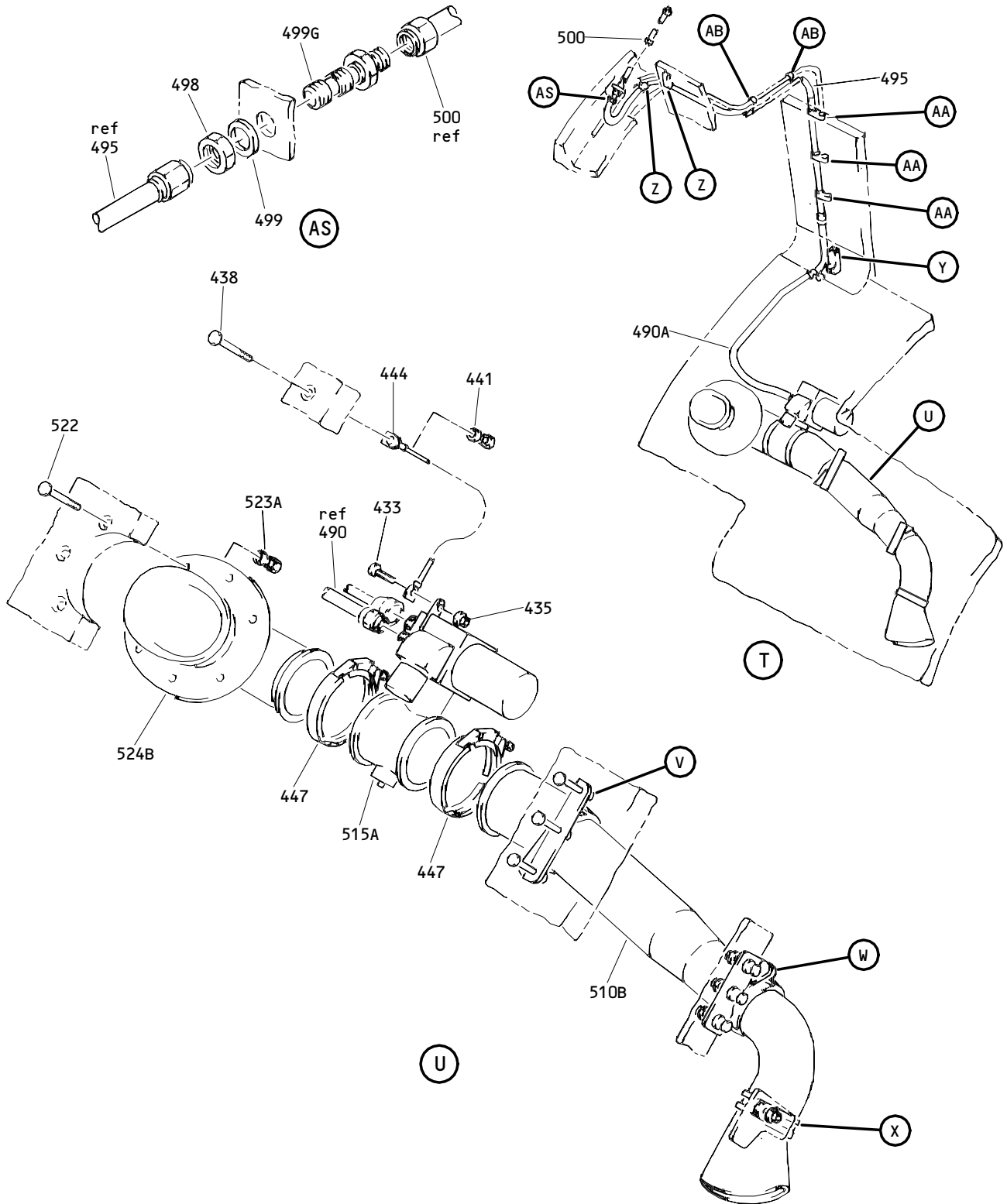


Engine Outboard and Inboard Side Fan Duct Cowling Assemblies  
 Figure 1 (Sheet 10)

**71-11-31**

ILLUSTRATED PARTS LIST  
 01.1 Page 1062H  
 Jul 01/03

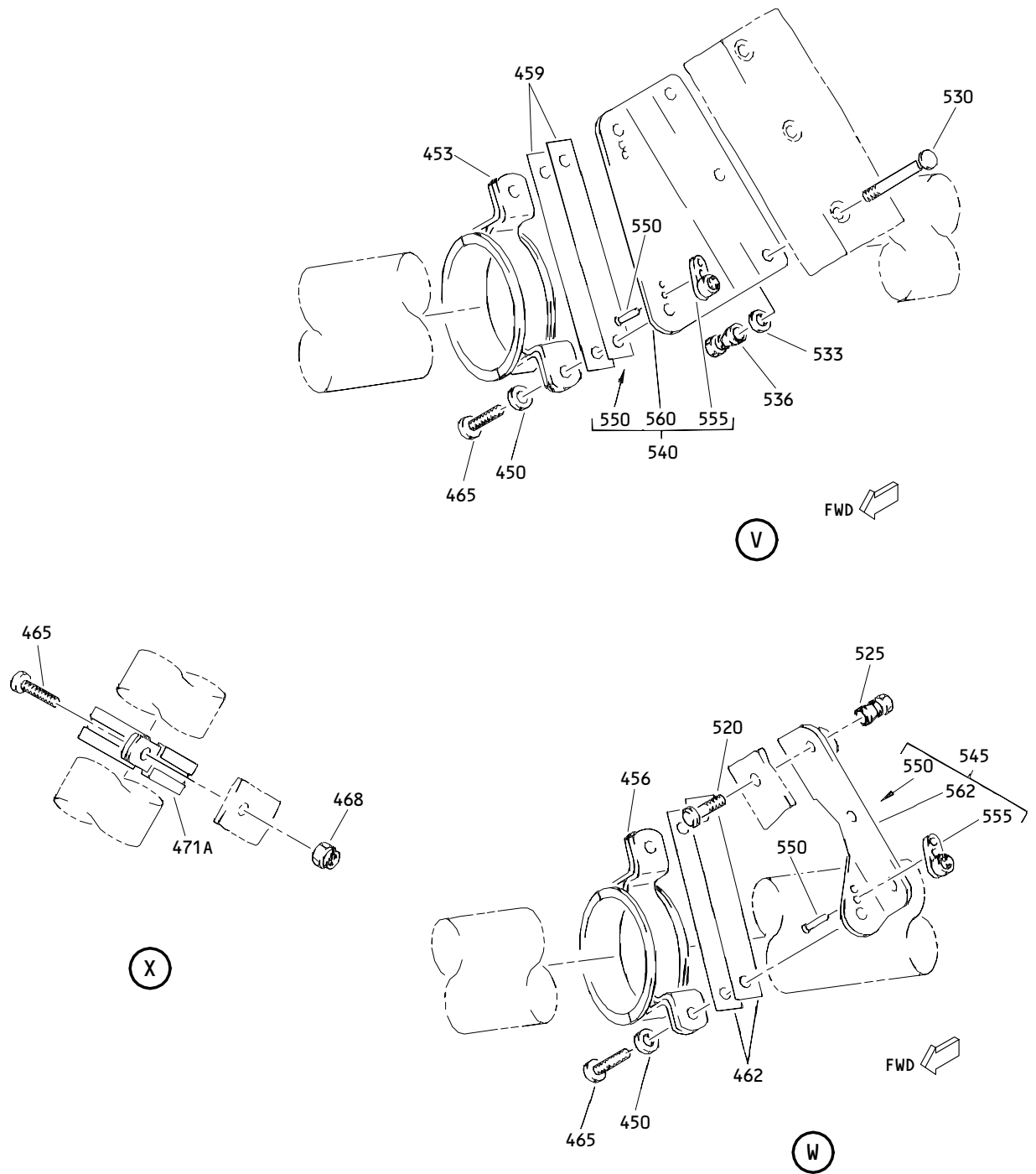
**BOEING**  
COMPONENT  
MAINTENANCE MANUAL



Engine Outboard and Inboard Side Fan Duct Cowling Assemblies  
Figure 1 (Sheet 11)

**71-11-31**

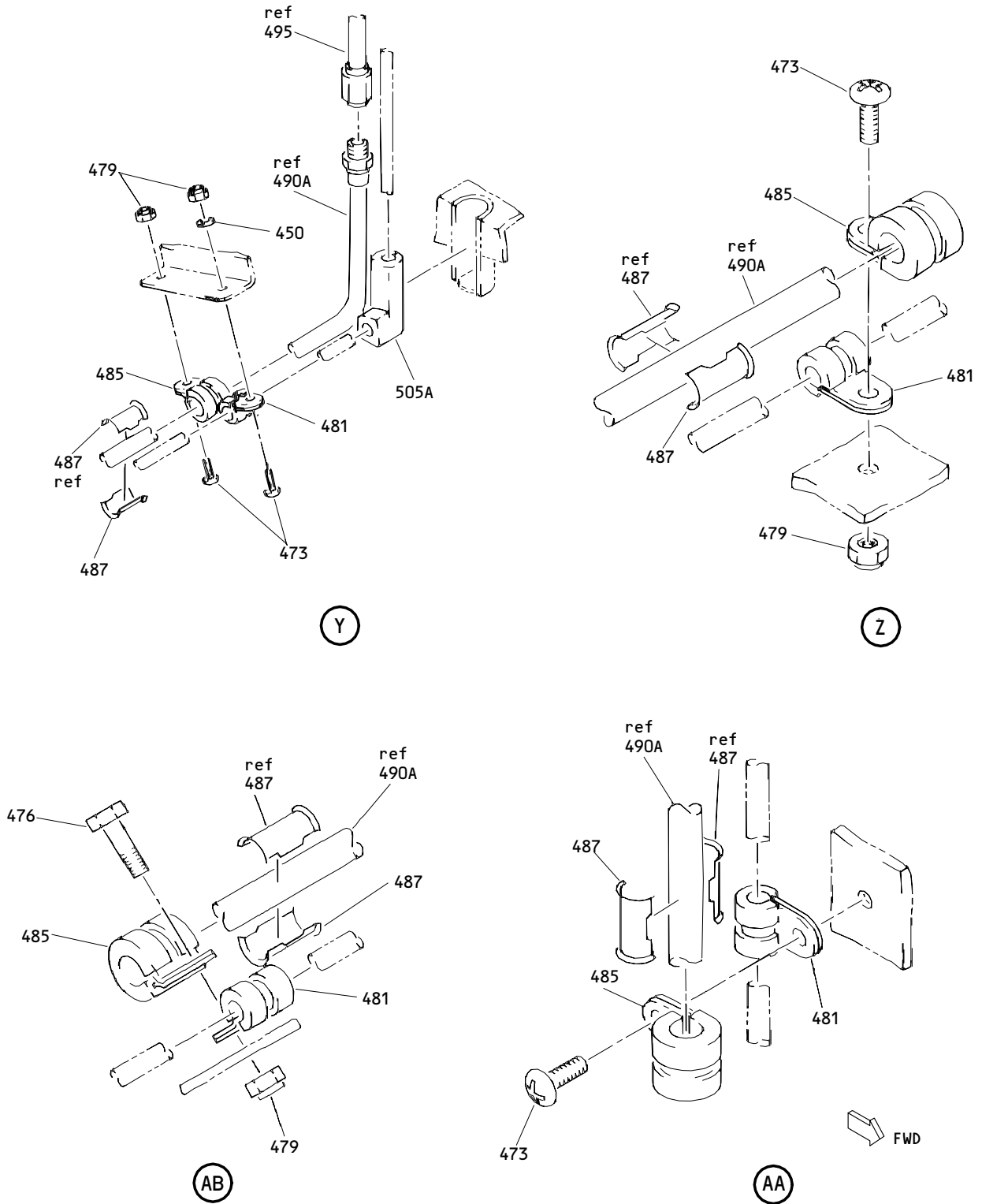
ILLUSTRATED PARTS LIST  
01.1 Page 1062I  
Jul 01/03



Engine Outboard and Inboard Side Fan Duct Cowling Assemblies  
 Figure 1 (Sheet 12)

**71-11-31**

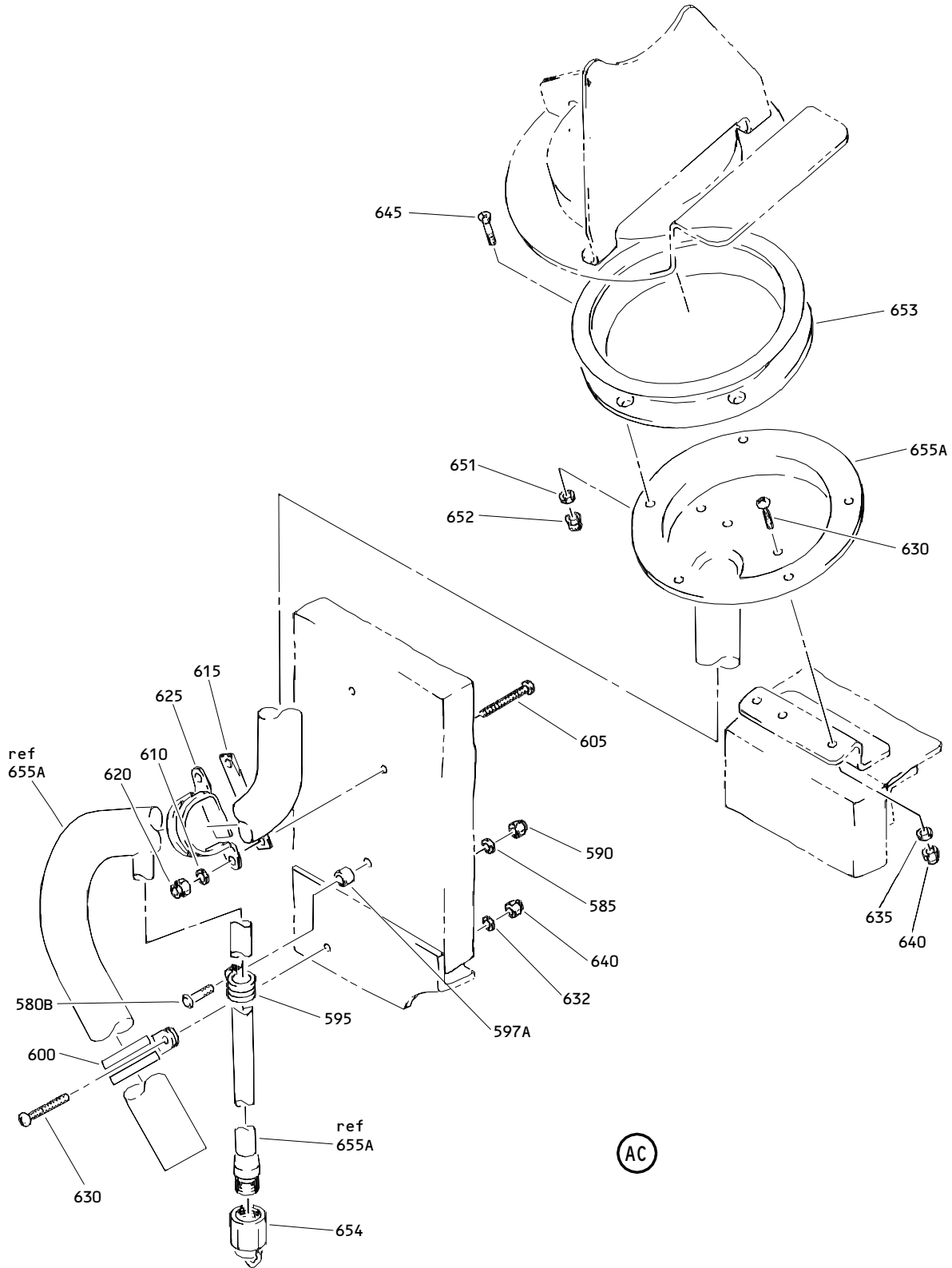
ILLUSTRATED PARTS LIST  
 01.1 Page 1062J  
 Jul 01/03



Engine Outboard and Inboard Side Fan Duct Cowling Assemblies  
Figure 1 (Sheet 13)

**71-11-31**

ILLUSTRATED PARTS LIST  
01.1 Page 1062K  
Jul 01/03

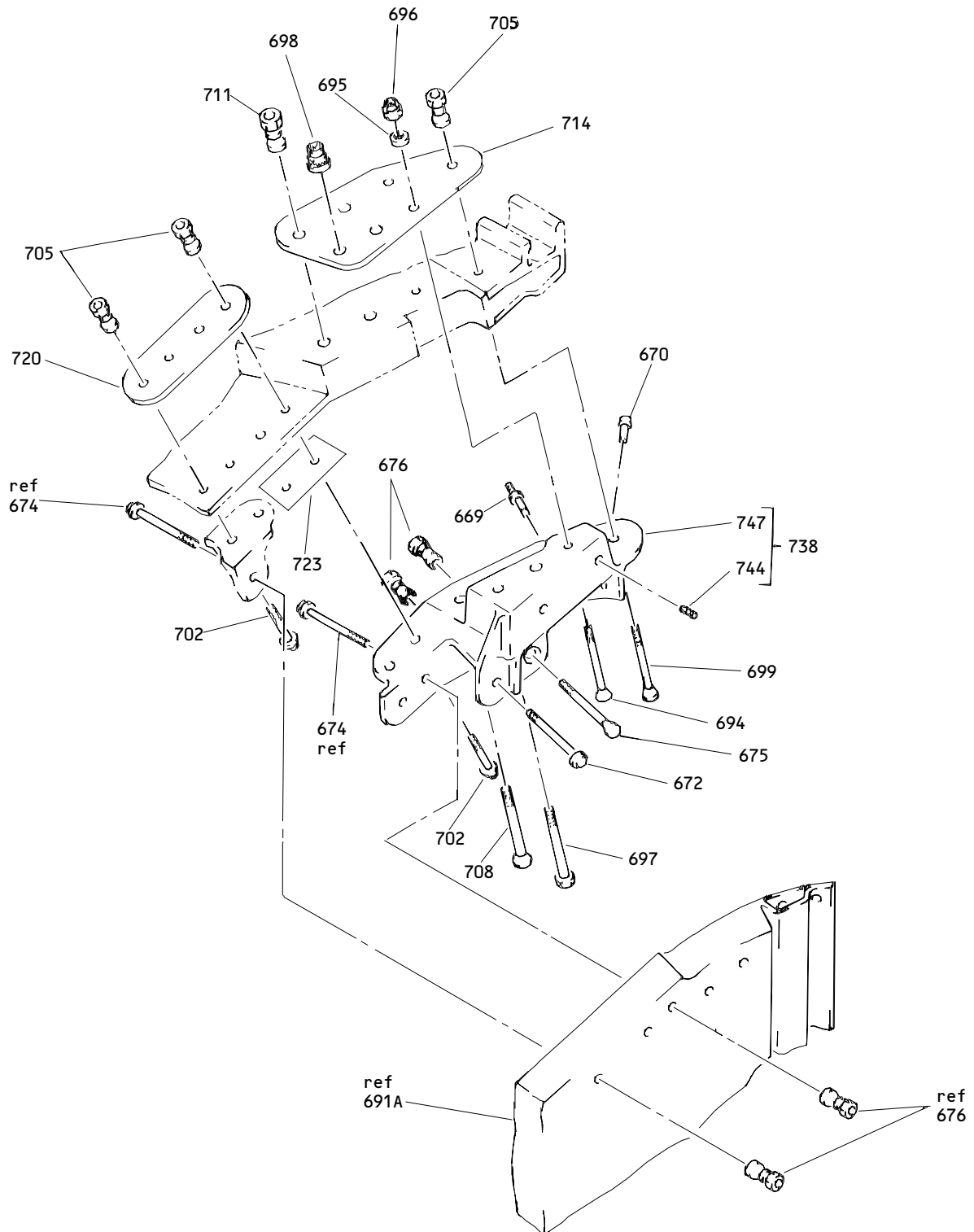


Engine Outboard and Inboard Side Fan Duct Cowling Assemblies  
 Figure 1 (Sheet 14)

**71-11-31**

ILLUSTRATED PARTS LIST  
 01.1 Page 1062L  
 Jul 01/03

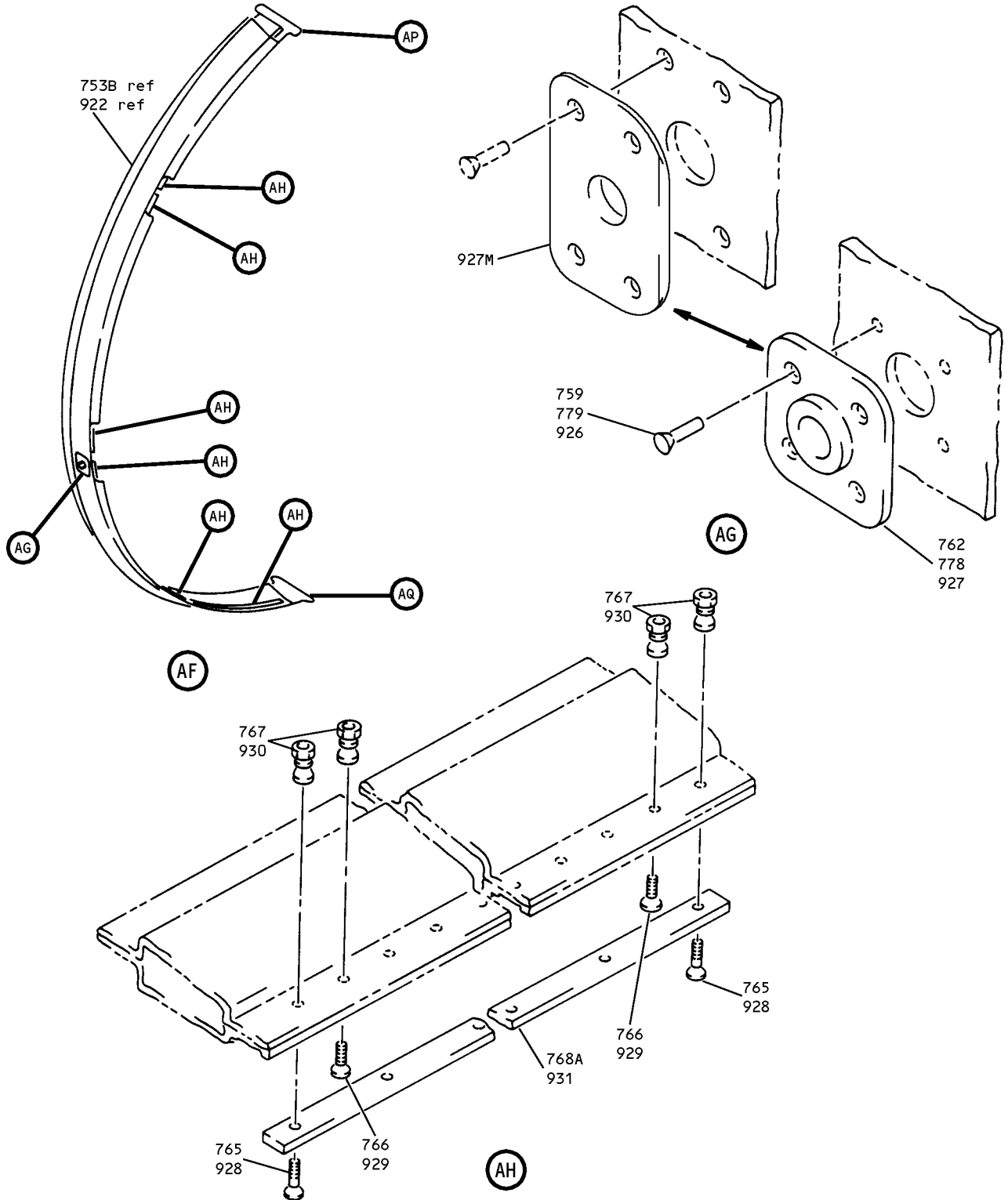




Engine Outboard and Inboard Side Fan Duct Cowling Assemblies  
Figure 1 (Sheet 16)

**71-11-31**

ILLUSTRATED PARTS LIST  
01.1 Page 1062N  
Jul 01/03

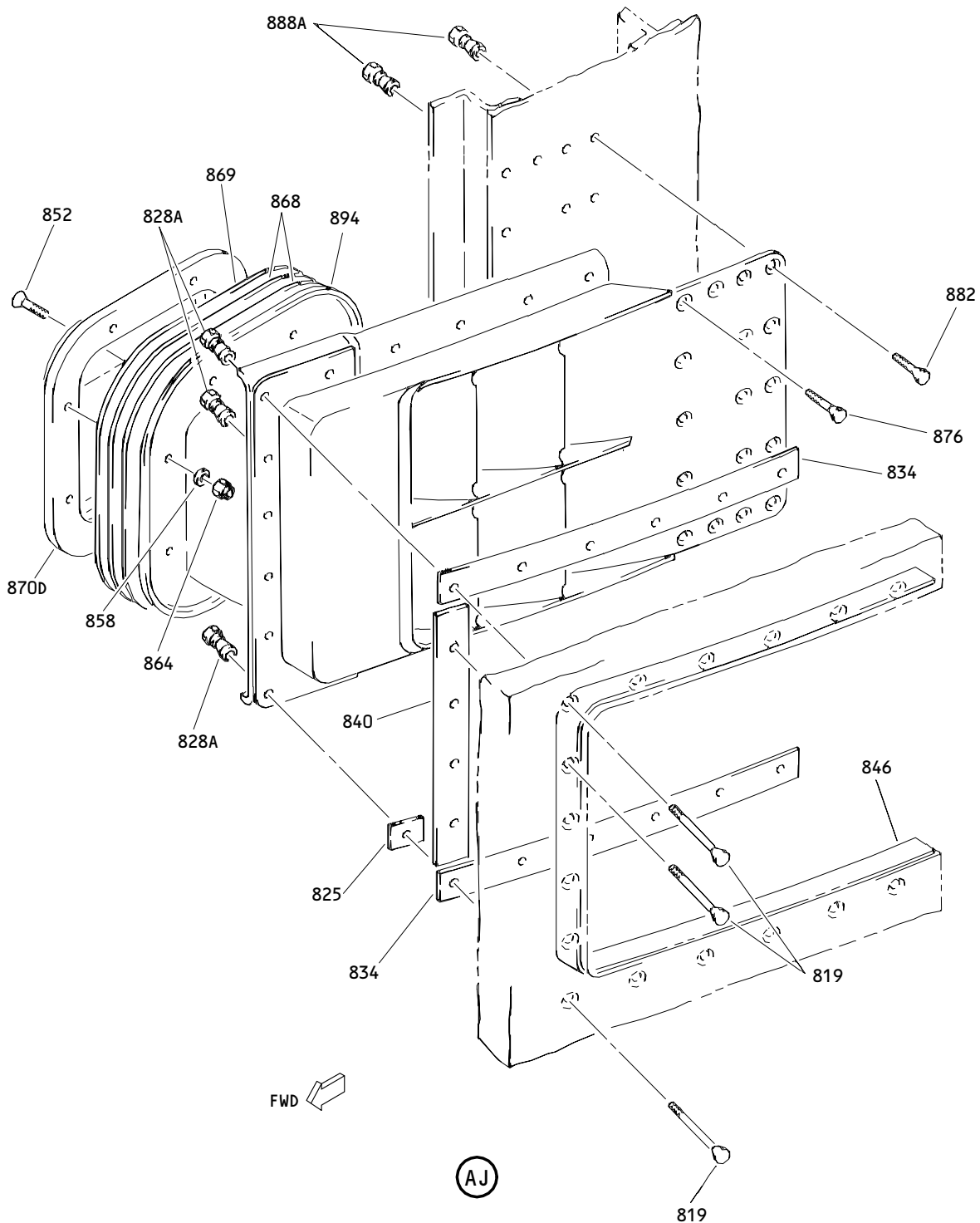


Engine Outboard and Inboard Side Fan Duct Cowling Assemblies  
Figure 1 (Sheet 17)

**71-11-31**

ILLUSTRATED PARTS LIST  
01.1 Page 10620  
Jul 01/03

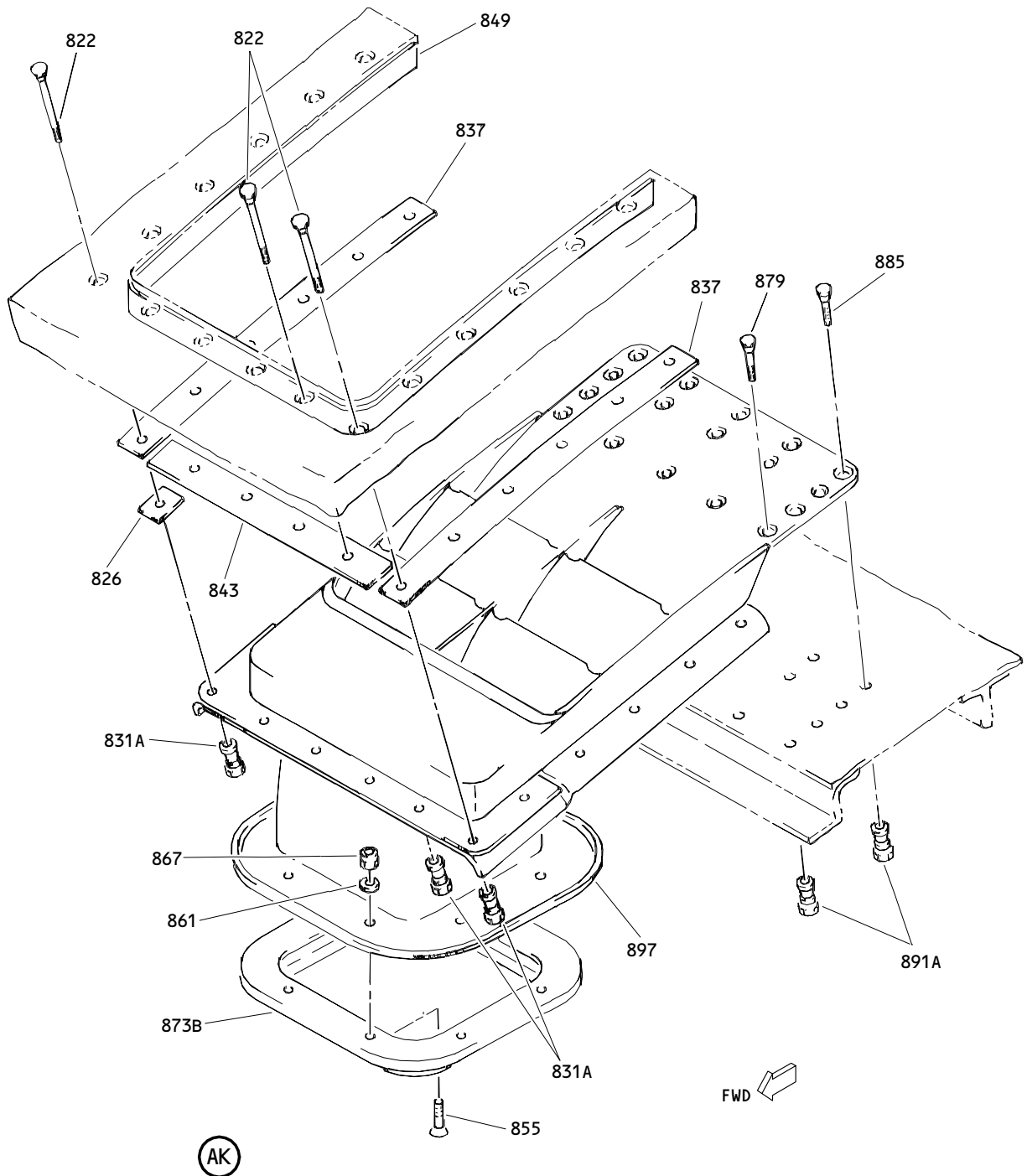




Engine Outboard and Inboard Side Fan Duct Cowling Assemblies  
 Figure 1 (Sheet 18)

**71-11-31**

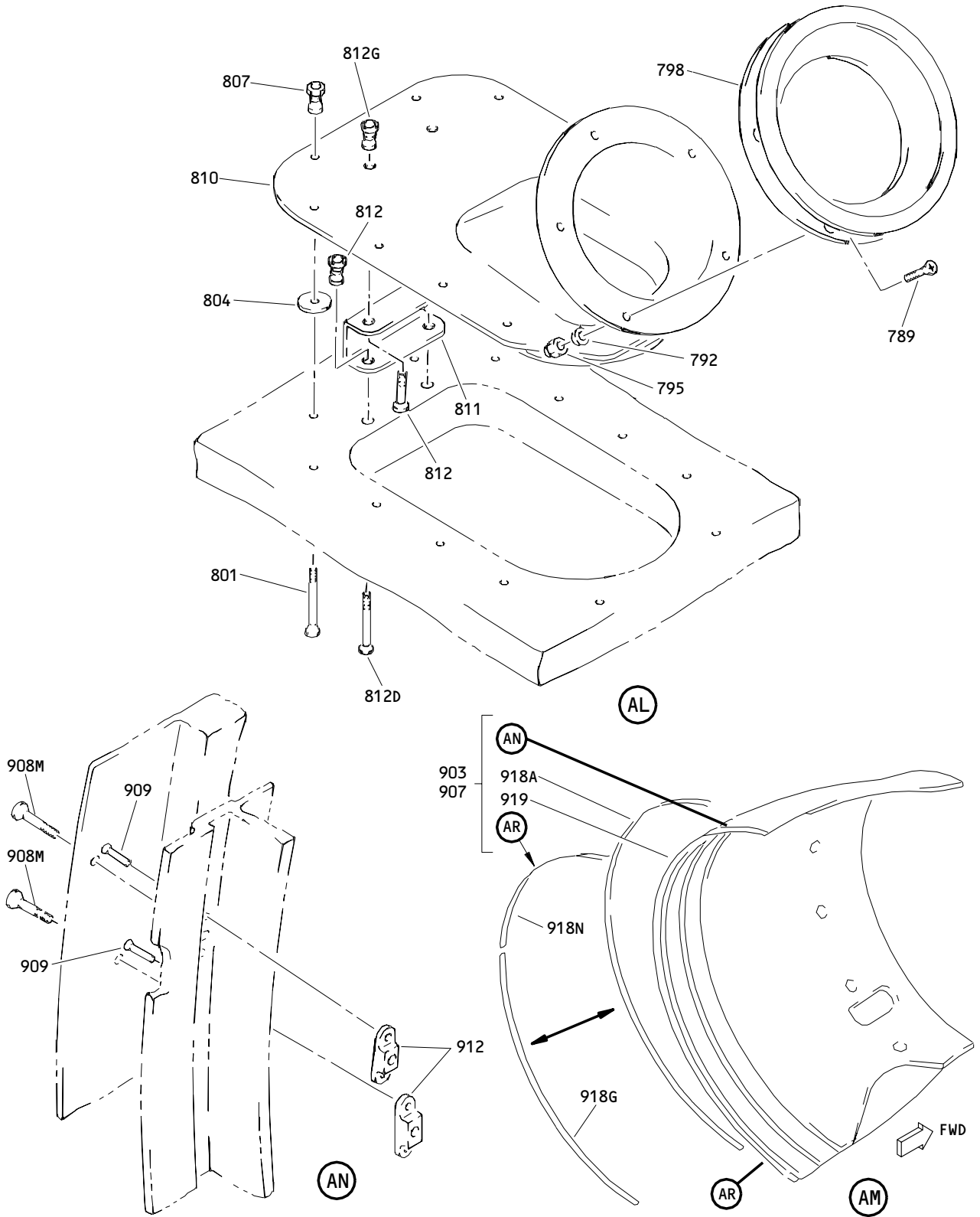
ILLUSTRATED PARTS LIST  
 01.1 Page 1062P  
 Jul 01/03



Engine Outboard and Inboard Side Fan Duct Cowling Assemblies  
Figure 1 (Sheet 19)

**71-11-31**

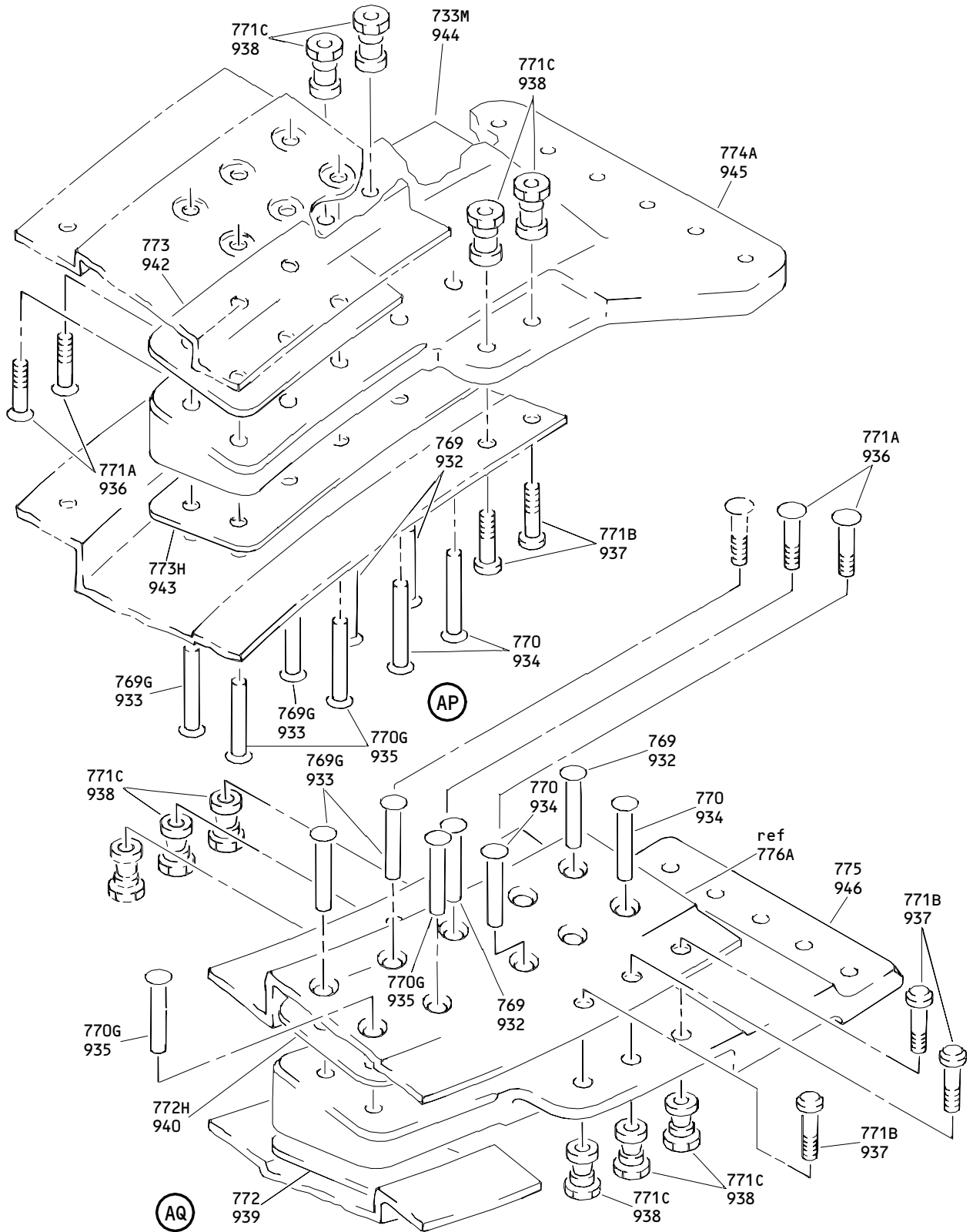
ILLUSTRATED PARTS LIST  
01.1 Page 1062Q  
Jul 01/03



Engine Outboard and Inboard Side Fan Duct Cowling Assemblies  
 Figure 1 (Sheet 20)

**71-11-31**

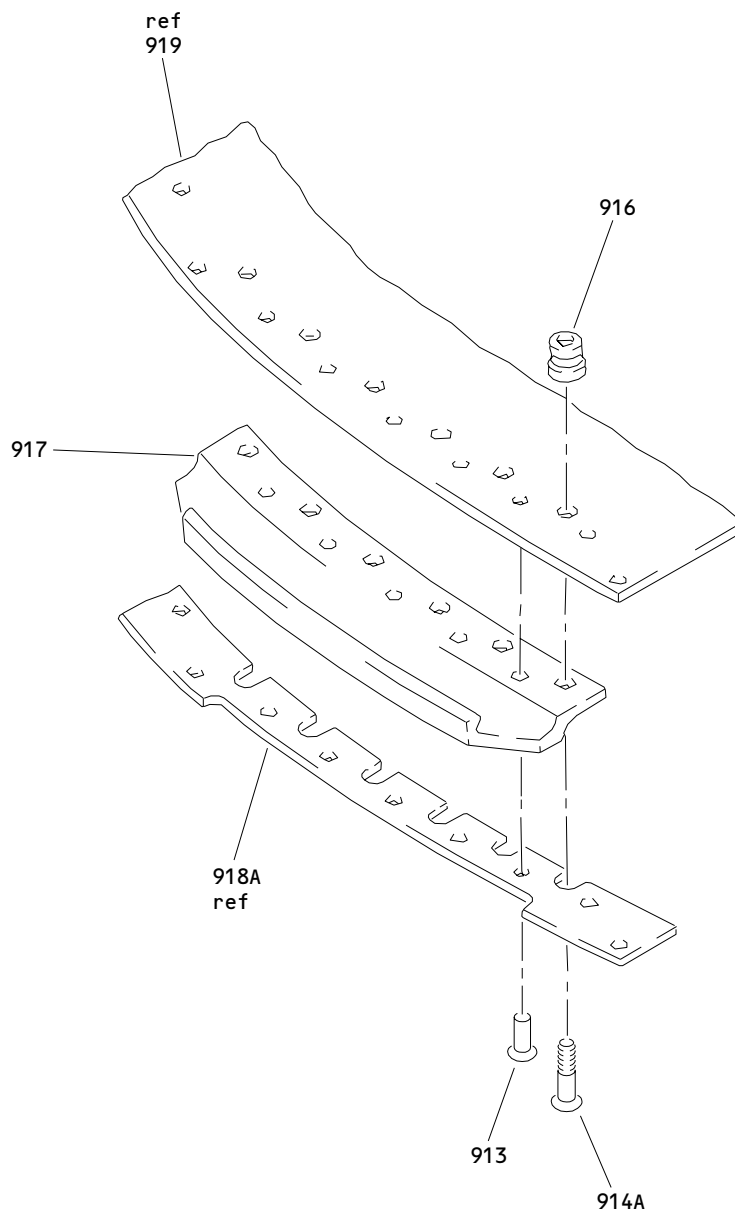
ILLUSTRATED PARTS LIST  
 01.1 Page 1062R  
 Jul 01/03



Engine Outboard and Inboard Side Fan Duct Cowling Assemblies  
Figure 1 (Sheet 21)

**71-11-31**

ILLUSTRATED PARTS LIST  
01.1 Page 1062S  
Jul 01/03



AR

Engine Outboard and Inboard Side Fan Duct Cowling Assembly  
Figure 1 (Sheet 22)

**71-11-31**

ILLUSTRATED PARTS LIST  
01.1 Page 1062T  
Jul 01/03


**BOEING**  
 COMPONENT  
 MAINTENANCE MANUAL

FIG. & ITEM	PART NO.	AIRLINE PART NUMBER	NOMENCLATURE 1234567	EFF CODE	QTY PER ASSY
01- -1	315T3002-25		COWL ASSY-ENG OUTBD SIDE FAN DUCT (LH) (REWORKED BY SB 767-75-0004)	A	RF
-1G	315T3002-33		COWL ASSY-ENG OUTBD SIDE FAN DUCT (LH) (REWORKED BY SB 767-75-0004)	E	RF
-1N	315T3002-39		DELETED		
-1P	315T3002-55		DELETED		
-1R	315T3002-43		COWL ASSY-ENG OUTBD SIDE FAN DUCT (LH) (REWORKED BY SB 767-75-0004)	L	RF
-1V	315T3002-47		COWL ASSY-ENG OUTBD SIDE FAN DUCT (LH) (REWORKED BY SB 767-75-0004)	M	RF
-5	315T3002-28		COWL ASSY-ENG OUTBD SIDE FAN DUCT (RH)	B	RF
-5G	315T3002-42		DELETED		
-5H	315T3002-54		DELETED		
-10	315T3002-26		COWL ASSY-ENG INBD SIDE FAN DUCT (LH)	C	RF
-10G	315T3002-40		DELETED		
-15	315T3002-27		COWL ASSY-ENG INBD SIDE FAN DUCT (RH) (REWORKED BY SB 767-75-0004)	D	RF
-15G	315T3002-35		COWL ASSY-ENG INBD SIDE FAN DUCT (RH) (REWORKED BY SB 767-75-0004)	J	RF
-15N	315T3002-41		DELETED		
-15R	315T3002-45		COWL ASSY-ENG INBD SIDE FAN DUCT (RH) (REWORKED BY SB 767-75-0004)	N	RF
-15V	315T3002-49		COWL ASSY-ENG INBD SIDE FAN DUCT (RH) (REWORKED BY SB 767-75-0004)	P	RF
-20	315T3002-5011		.COWL ASSY- (LIMITED)	A	1

71-11-31

 ILLUSTRATED PARTS LIST  
 01.1 Page 1062U  
 Jul 01/03

FIG. & ITEM	PART NO.	AIRLINE PART NUMBER	NOMENCLATURE 1234567	EFF CODE	QTY PER ASSY
01-					
-20A	315T3002-5009		.COWL ASSY- (LIMITED)	A	1
-20G	315T3002-5017		.COWL ASSY- (LIMITED)	E	1
-20H	315T3002-5021		.COWL ASSY- (LIMITED)	E	1
-20J	315T3002-5033		.COWL ASSY (LIMITED)	E	1
-20K	315T3002-5031		.COWL ASSY- (LIMITED)	M	1
-20L	315T3002-5055		.COWL ASSY- (LIMITED)	M	1
-20M	315T3002-5051		.COWL ASSY- (LIMITED)	M	1
-20N	315T3002-5037		DELETED		
-20P	315T3002-5061		DELETED		
-20Q	315T3002-5073		DELETED		
-20R	315T3002-5069		DELETED		
-20S	315T3002-5075		DELETED		
20T	315T3002-5089		.COWL ASSY-(REWORK) (LIMITED)	M	1
-23	315T3002-5047		.COWL ASSY	L	1
-25	315T3002-5016		.COWL ASSY- (LIMITED)	B	1
-25A	315T3002-5014		.COWL ASSY- (LIMITED)	B	1
-25B	315T3002-5024		.COWL ASSY- (LIMITED)	B	1
-25C	315T3002-5032		.COWL ASSY- (LIMITED)	B	1
-25D	315T3002-5046		.COWL ASSY- (LIMITED)	B	1
-25E	315T3002-5060		DELETED		
-25G	315T3002-5036		DELETED		
-25H	315T3002-5072		DELETED		
-25J	315T3002-5074		DELETED		
-25K	315T3002-5076		DELETED		
-28	315T3002-5049		.COWL ASSY	N	1
-30	315T3002-5012		.COWL ASSY- (LIMITED)	C	1
-30A	315T3002-5010		.COWL ASSY- (LIMITED)	C	1
-30B	315T3002-5022		.COWL ASSY- (LIMITED)	C	1
-30C	315T0002-5030		DELETED		

71-11-31

 ILLUSTRATED PARTS LIST  
 01.1 Page 1062V  
 Jul 01/03


**BOEING**  
 COMPONENT  
 MAINTENANCE MANUAL

FIG. & ITEM	PART NO.	AIRLINE PART NUMBER	NOMENCLATURE 1234567	EFF CODE	QTY PER ASSY
01- -30D	315T3002-5038		.COWL ASSY- (LIMITED)	C	1
-30E	315T3002-5058		DELETED		
-30F	315T3002-5030		.COWL ASSY- (LIMITED)	C	1
-30G	315T3002-5034		DELETED		
-30H	315T3002-5070		DELETED		
-35	315T3002-5015		.COWL ASSY- (LIMITED)	D	1
-35A	315T3002-5013		.COWL ASSY- (LIMITED)	D	1
-35G	315T3002-5019		.COWL ASSY- (LIMITED)	J	1
-35H	315T3002-5023		.COWL ASSY- (LIMITED)	J	1
-35J	315T0002-5035		DELETED		
-35K	315T0002-5045		DELETED		
-35L	315T0002-5057		DELETED		
-35M	315T0002-5053		DELETED		
-35N	315T3002-5039		DELETED		
-35P	315T3002-5063		DELETED		
-35Q	315T3002-5035		.COWL ASSY- (LIMITED)	J	1
-35R	315T3002-5045		.COWL ASSY- (LIMITED)	P	1
-35S	315T3002-5057		.COWL ASSY- (LIMITED)	P	1
-35T	315T3002-5053		.COWL ASSY- (LIMITED)	P	1
-35U	315T3002-5071		DELETED		
35V	315T3002-5091		.COWL ASSY-(REWORK) (LIMITED)	P	1
37	BACB30NR4K6		..BOLT	A,B,E L,M	42
38	BACB30NR4K6		..BOLT	C,D,J N,P	50
39	AN960KD416L		..WASHER	A,B,E L,M	42
39A	AN960KD416L		..WASHER	C,D,J N,P	50
40	BACB30NR4K8		..BOLT	A,B,E L,M	30
41	BACB30NR4K8		..BOLT	C,D,J N,P	34

71-11-31

ILLUSTRATED PARTS LIST

01.1 Page 1062W

Jul 01/03



FIG. & ITEM	PART NO.	AIRLINE PART NUMBER	NOMENCLATURE 1234567	EFF CODE	QTY PER ASSY
01-44	315T3210-3		..CASCADE ASSY-RADIAL FLOW (315T4210-1 T/W ITS ATTACHING PARTS I/W 315T3210-3 T/W ITS ATTACHING PARTS) (OPT ITEM 44A) (USED ON ITEMS 20G, 20H, 20M, 35G, 35H, 35T) (PRE SB 767-78-0020)	A,D,E ,J, L-P	1
-44A	315T3210-9		..CASCADE ASSY-RADIAL FLOW (315T4210-1 WITH ITS ATTACHING PARTS I/W 315T3210-9 TOGETHER WITH ITS ATTACHING PARTS) (OPT ITEM 44) (USED ON ITEMS 20G, 20H, 20M, 35G, 35H, 35T) (PRE SB 767-78-0020)	A,D,E ,J, L-P	1
-44B	315T4210-1		..CASCADE ASSY-RADIAL FLOW (315T4210-1 WITH ITS ATTACHING PARTS I/W 315T3210-3 OR -9 T/W ITS ATTACHING PARTS) (USED ON ITEMS 20G, 20H, 20M, 35G, 35H, 35T) (POST SB 767-78-0020)	A,D,E ,J, L-P	1
-44G	315T3210-9		..CASCADE ASSY-RADIAL FLOW (315T4210-1 WITH ITS ATTACHING PARTS I/W 315T3210-9 TOGETHER WITH ITS ATTACHING PARTS) (USED ON ITEMS 20J, 20K, 20L, 35Q, 35R, 35S) (PRE SB 767-78-0020) (PRE SB 767-78-0020)	E,J,M ,P	1
-44H	315T4210-1		..CASCADE ASSY-RADIAL FLOW (315T4210-1 WITH ITS ATTACHING PARTS I/W 315T3210-3 OR -9 T/W ITS ATTACHING PARTS) (USED ON ITEMS 20J, 20K, 20L, 35Q, 35R, 35S) (POST SB 767-78-0020)	E,J,M ,P	1

71-11-31

 ILLUSTRATED PARTS LIST  
 01.1 Page 1062X  
 Jul 01/03


**BOEING**  
 COMPONENT  
 MAINTENANCE MANUAL

FIG. & ITEM	PART NO.	AIRLINE PART NUMBER	NOMENCLATURE 1234567	EFF CODE	QTY PER ASSY
01-47	315T3210-4		..CASCADE ASSY-RADIAL FLOW (315T4210-2 WITH ITS ATTACHING PARTS I/W 315T3210-4 T/W ITS ATTACHING PARTS) (OPT ITEM 47A) (USED ON ITEMS 25, 25A, 25B, 30, 30A, 30B) (PRE SB 767-78-0020)	B,C	1
-47A	315T3210-10		..CASCADE ASSY-RADIAL FLOW (315T4210-2 WITH ITS ATTACHING PARTS I/W 315T3210-10 TOGETHER WITH ITS ATTACHING PARTS) (OPT ITEM 47) (USED ON ITEMS 25, 25A, 25B, 30, 30A, 30B) (PRE SB 767-78-0020)	B,C	1
-47B	315T4210-2		..CASCADE ASSY-RADIAL FLOW (315T4210-2 WITH ITS ATTACHING PARTS I/W 315T3210-4 OR -10 T/W ITS ATTACHING PARTS) (USED ON ITEMS 25, 25A, 25B, 30, 30A, 30B) (POST SB 767-78-0020)	B,C	1
-47G	315T3210-10		..CASCADE ASSY-RADIAL FLOW (315T3210-10 WITH ITS ATTACHING PARTS I/W 315T3210-10 TOGETHER WITH ITS ATTACHING PARTS) (USED ON ITEMS 25C, 25D, 30D, 30F) (PRE SB 767-78-0020)	B,C	1
-47H	315T4210-2		..CASCADE ASSY-RADIAL FLOW (315T4210-2 WITH ITS ATTACHING PARTS I/W 315T3210-4 OR -10 T/W ITS ATTACHING PARTS) (USED ON ITEMS 25C, 25D, 30D, 30F) (POST SB 767-78-0020)	B,C	1

71-11-31

 ILLUSTRATED PARTS LIST  
 01.1 Page 1062Y  
 Jul 01/03

FIG. & ITEM	PART NO.	AIRLINE PART NUMBER	NOMENCLATURE 1234567	EFF CODE	QTY PER ASSY
01-50	BACR15CE3B		...RIVET- (SIZE DETERMINE ON INST)		8
-51	315T4210-9		...SPACER-RADIUS FILLER (USED ON ITEMS 44B, 44H 47B, 47H)		2
-52	315T4210-10		...SPACER-RADIUS FILLER (USED ON ITEMS 44B, 44H 47B, 47H)		2
53	M13640-048		...NUTPLATE- (V80539) (USED ON ITEMS 44, 44A 44B, 47, 47A, 47B, 47G)		4
-54	BRF200C4D		...NUTPLATE- (V52828) (SPEC BACN10JR4CFD) (OPT K51602-4BAC (V15653)) (OPT NS202476-048 (V80539)) (OPT 102F9201-4 (V72962)) (OPT T8092C428CD (V11815)) (USED ON ITEMS 44B, 44H, 47B, 47H)		2
-55	BRF100C4D		...NUTPLATE- (V52828) (SPEC BACN10KB4CFD) (OPT F51604-4 (V15653)) (OPT 102F9207P4 (V72962)) (OPT F51604-4 (V15653)) (USED ON ITEMS 44B, 44H, 47B, 47H)		2

71-11-31

ILLUSTRATED PARTS LIST

01.1 Page 10622

Jul 01/03


**BOEING**  
 COMPONENT  
 MAINTENANCE MANUAL

FIG. & ITEM	PART NO.	AIRLINE PART NUMBER	NOMENCLATURE 1234567	EFF CODE	QTY PER ASSY
01-56	BACR15BB3B		...RIVET- (SIZE DETERMINE ON INST)		2
59	69B97503-1		...TAG-IDENT (USED ON ITEMS 44, 44A, 44G, 47, 47A, 47G)		1
-59A	315T4210-11		...TAG-IDENT (OPT ITEM 59B) (USED ON ITEMS 44B, 44H, 47B, 47H)		1
-59B	69B97503-1		...TAG-IDENT (OPT ITEM 59A) (USED ON ITEMS 44B, 44H, 47B, 47H)		1
60	315T3210-5		...CASCADE- (USED ON ITEM 44)	A,D,E ,J, L-P	1
-60A	315T3210-12		...CASCADE- (USED ON ITEMS 44A, 44G)	A,D,E ,J, L-P	1
-60B	315T4210-5		...CASCADE- (USED ON ITEMS 44B, 44H)	A,D,E ,J, L-P	1
61	315T3210-6		...CASCADE- (USED ON ITEM 47)	B,C	1
-61A	315T3210-12		DELETED		
-61B	315T3210-13		...CASCADE- (USED ON ITEMS 47A, 47G)	B,C	1
-61C	315T4210-6		...CASCADE- (USED ON ITEMS 47B, 47H)	B,C	1

71-11-31

 ILLUSTRATED PARTS LIST  
 01.1 Page 1063  
 Jul 01/03

FIG. & ITEM	PART NO.	AIRLINE PART NUMBER	NOMENCLATURE 1234567	EFF CODE	QTY PER ASSY
01-62	315T3210-1		..CASCADE ASSY-RADIAL FLOW (315T4210-3 T/W ITS ATTACHING PARTS I/W 315T3210-1 T/W ITS ATTACHING PARTS) (OPT ITEM 62A) (USED ON ITEMS 20G, 20H, 20M, 23, 25, 25A, 25B) (PRE SB 767-78-0020)	A,B,E ,L,M	5
-62A	315T3210-8		..CASCADE ASSY-RADIAL FLOW (315T4210-3 WITH ITS ATTACHING PARTS I/W 315T3210-8 TOGETHER WITH ITS ATTACHING PARTS) (OPT ITEM 62) (USED ON ITEMS 20G, 20H, 20M, 23, 25, 25A, 25B) (PRE SB 767-78-0020)	A,B,E ,L,M	5

71-11-31

 ILLUSTRATED PARTS LIST  
 01.1 Page 1064  
 Jul 01/03


**BOEING**  
 COMPONENT  
 MAINTENANCE MANUAL

FIG. & ITEM	PART NO.	AIRLINE PART NUMBER	NOMENCLATURE 1234567	EFF CODE	QTY PER ASSY
01- -62B	315T3210-8		..CASCADE ASSY-RADIAL (315T4210-3 WITH ITS ATTACHING PARTS I/W WITH 315T3210-8 TOGETHER WITH ITS ATTACHING PARTS) (USED ON ITEMS 20J, 20K, 20L, 25C, 25D) (PRE SB 767-78-0020)	B,E,M	5
-62C	315T4210-3		..CASCADE ASSY-RADIAL FLOW (315T4210-3 WITH ITS ATTACHING PARTS I/W 315T3210-1 OR -8 T/W ITS ATTACHING PARTS) (OPT ITEMS 62D, 62E) (USED ON ITEMS 20G, 20H, 20J, 20K, 20L, 20M, 25, 25A, 25B, 25C, 25D) (POST SB 767-78-0020)	A,B,E ,L,M	5
-62D	315T4212-3		..CASCADE ASSY-RADIAL FLOW (315T4212-3 T/W ITS ATTACHING PARTS I/W 315T3212-3 OR -13 T/W ITS ATTACHING PARTS) (OPT ITEMS 62C, 62E) (USED ON ITEMS 20G, 20H, 20J, 20K, 20L, 20M, 25, 25A, 25B, 25C, 25D) (POST SB 767-78-0020)	A,B,E ,L,M	5
-62E	315T4212-4		..CASCADE ASSY-RADIAL FLOW (315T4212-4 WITH ITS ATTACHING PARTS I/W 315T3212-4 OR -14 T/W ITS ATTACHING PARTS) (OPT ITEMS 62C, 62D) (USED ON ITEMS 20G, 20H, 20J, 20K, 20L, 20M, 25, 25A, 25B, 25C, 25D) (POST SB 767-78-0020)	A,B,E ,L,M	5

71-11-31

ILLUSTRATED PARTS LIST

01.1 Page 1064A

Jul 01/03

FIG. & ITEM	PART NO.	AIRLINE PART NUMBER	NOMENCLATURE 1234567	EFF CODE	QTY PER ASSY
01-65	315T3210-1		..CASCADE ASSY-RADIAL FLOW (315T4210-3 T/W ITS ATTACHING PARTS I/W 315T3210-1 T/W ITS ATTACHING PARTS) (OPT ITEM 65A) (USED ON ITEMS 28, 30, 30A, 30B, 35G, 35H, 35T) (PRE SB 767-78-0020)	C,D,J ,N,P	1
-65A	315T3210-8		..CASCADE ASSY-RADIAL FLOW (315T4210-3 WITH ITS ATTACHING PARTS I/W 315T3210-3 TOGETHER WITH ITS ATTACHING PARTS) (OPT ITEM 65) (USED ON ITEMS 28, 30, 30A, 30B, 35G, 35H, 35T) (PRE SB 767-78-0020)	C,D,J ,N,P	1
-65B	315T3210-8		..CASCADE ASSY-RADIAL FLOW (315T4210-3 WITH ITS ATTACHING PARTS I/W 315T3210-8 TOGETHER WITH ITS ATTACHING PARTS) (USED ON ITEMS 30D, 35F, 35Q, 35R, 35S) (PRE SB 767-78-0020)	C,J,P	1
-65C	315T4210-3		..CASCADE ASSY-RADIAL FLOW (315T4210-3 WITH ITS ATTACHING PARTS I/W 315T3210-1 OR -8 T/W ITS ATTACHING PARTS) (OPT ITEMS 65D, 65E) (USED ON ITEMS 30, 30A, 30B, 30D, 35G, 35H, 35Q, 35R, 35S, 35T) (POST SB 767-78-0020)	C,D,J ,N,P	1

71-11-31

 ILLUSTRATED PARTS LIST  
 01.1 Page 1064B  
 Jul 01/03


**BOEING**  
 COMPONENT  
 MAINTENANCE MANUAL

FIG. & ITEM	PART NO.	AIRLINE PART NUMBER	NOMENCLATURE 1234567	EFF CODE	QTY PER ASSY
01- -65D	315T4212-3		..CASCADE ASSY-RADIAL FLOW (315T4212-3 T/W ITS ATTACHING PARTS I/W 315T3212-3 OR -13 T/W ITS ATTACHING PARTS) (OPT ITEMS 65C, 65E) (USED ON ITEMS 30, 30A, 30B, 30D, 35G, 35H, 35Q, 35R, 35S, 35T) (POST SB 767-78-0020)	C,D,J ,N,P	1
-65E	315T4212-4		..CASCADE ASSY-RADIAL FLOW (315T4212-4 WITH ITS ATTACHING PARTS I/W 315T3212-4 OR -14 T/W ITS ATTACHING PARTS) (OPT ITEMS 65C, 65D) (USED ON ITEMS 30, 30A, 30B, 30D, 35G, 35H, 35Q, 35R, 35S, 35T) (POST SB 767-78-0020)	C,D,J ,N,P	1
68	BACR15CE3B		...RIVET- (SIZE DETERMINE ON INST)	A,B,E ,L,M	8
-69	315T4210-9		...SPACER-RADIUS FILLER (USED ON ITEMS 62C, 62D, 62E)	A,B,E ,L,M	2
-70	315T4210-10		...SPACER-RADIUS FILLER (USED ON ITEMS 62C, 62D, 62E)	A,B,E ,L,M	2
71	BACR15CE3B		...RIVET- (SIZE DETERMINE ON INST)	C,D,J ,N,P	8
-72	315T4210-9		...SPACER-RADIUS FILLER (USED ON ITEMS 65C, 65D, 65E)	C,D,J ,N,P	2
-73	315T4210-10		...SPACER-RADIUS FILLER (USED ON ITEMS 65C, 65D, 65E)	C,D,J ,N,P	2
74	M13640-048		...NUTPLATE- (V80539) (USED ON ITEMS 62, 62A, 62B)	A,B,E ,L,M	4

71-11-31

 ILLUSTRATED PARTS LIST  
 01.1 Page 1064C  
 Jul 01/03



FIG. & ITEM	PART NO.	AIRLINE PART NUMBER	NOMENCLATURE 1234567	EFF CODE	QTY PER ASSY
01- -75	BRF200C4D		...NUTPLATE- (V52828) (SPEC BACN10JR4CFD) (OPT K51602-4BAC (V15653)) (OPT NS202476-048 (V80539)) (OPT 102F9201-4 (V72962)) (OPT T8092C428CD (V11815)) (USED ON ITEMS 62C, 62D, 62E)	A,B,E ,L,M	2
-76	BRF100C4D		...NUTPLATE- (V52828) (SPEC BACN10KB4CFD) (OPT F51604-4 (V15653)) (OPT 102F9207P4 (V72962)) (OPT F51604-4 (V15653)) (USED ON ITEMS 62C, 62D, 62E)	A,B,E ,L,M	2
77	M13640-048		...NUTPLATE- (V80539) (USED ON ITEMS 65, 65A, 65B)	C,D,J ,N,P	4
-78	BRF200C4D		...NUTPLATE- (V52828) (SPEC BACN10JR4CFD) (OPT K51602-4BAC (V15653)) (OPT NS202476-048 (V80539)) (OPT 102F9201-4 (V72962)) (OPT T8092C428CD (V11815)) (USED ON ITEMS 65C, 65D, 65E)	C,D,J ,N,P	2

71-11-31

 ILLUSTRATED PARTS LIST  
 01.1 Page 1064D  
 Jul 01/03


**BOEING**  
 COMPONENT  
 MAINTENANCE MANUAL

FIG. & ITEM	PART NO.	AIRLINE PART NUMBER	NOMENCLATURE 1234567	EFF CODE	QTY PER ASSY
01- -79	BRF100C4D		...NUTPLATE- (V52828) (SPEC BACN10KB4CFD) (OPT F51604-4 (V15653)) (OPT 102F9207P4 (V72962)) (OPT F51604-4 (V15653)) (USED ON ITEMS 65C, 65D, 65E)	C,D,J ,N,P	2
80	BACR15BB3B		...RIVET- (SIZE DETERMINE ON INST)	A,B,E ,L,M	2
83	BACR15BB3B		...RIVET- (SIZE DETERMINE ON INST)	C,D,J ,N,P	2
86	69B97503-1		...TAG-IDENT (USED ON ITEMS 62, 62A, 62B)	A,B,E ,L,M	1
-86A	315T4210-11		DELETED		
-86B	315T4210-11		...TAG-IDENT (OPT ITEM 86C) (USED ON ITEMS 62C, 62D, 62E)	A,B,E ,L,M	1
-86C	69B97503-1		...TAG-IDENT (OPT ITEM 86B) (USED ON ITEMS 62C, 62D, 62E)	A,B,E ,L,M	1
89	69B97503-1		...TAG-IDENT (USED ON ITEMS 65, 65A, 65B)	C,D,J ,N,P	1
-89A	315T4210-11		DELETED		
-89B	315T4210-11		...TAG-IDENT (OPT ITEM 89C) (USED ON ITEMS 65C, 65D, 65E)	C,D,J ,N,P	1
-89C	69B97503-1		...TAG-IDENT (OPT ITEM 89B) (USED ON ITEMS 65C, 65D, 65E)	C,D,J ,N,P	1
90	315T3210-7		...CASCADE- (USED ON ITEM 62)	A,B,E ,L,M	1
-90A	315T3210-11		...CASCADE- (USED ON ITEMS 62A, 62B)	A,B,E ,L,M	1
-90B	315T4210-7		...CASCADE- (USED ON ITEM 62C)	A,B,E ,L,M	1

71-11-31

ILLUSTRATED PARTS LIST

01.1 Page 1064E

Jul 01/03

FIG. & ITEM	PART NO.	AIRLINE PART NUMBER	NOMENCLATURE 1234567	EFF CODE	QTY PER ASSY
01- -90C	315T4212-7		...CASCADE- (USED ON ITEM 62D)	A,B,E ,L,M	1
-90D	315T4212-8		...CASCADE- (USED ON ITEM 62E)	A,B,E ,L,M	1
91	315T3210-7		...CASCADE- (USED ON ITEM 65)	C,D,J ,N,P	1
-91A	315T3210-11		...CASCADE- (USED ON ITEMS 65A, 65B)	C,D,J ,M-P	1
-91B	315T4210-7		...CASCADE- (USED ON ITEM 65C)	C,D,J ,N,P	1
-91C	315T4212-7		...CASCADE- (USED ON ITEM 65D)	C,D,J ,N,P	1
-91D	315T4212-8		...CASCADE- (USED ON ITEM 65E)	C,D,J ,N,P	1
92	315T3212-3		..CASCADE ASSY-39.2 DEG SKEWED (315T4212-3 T/W ITS ATTACHING PARTS I/W 315T3212-3 T/W ITS ATTACHING PARTS) (OPT ITEM 92A) (USED ON ITEMS 20G, 20H, 20M) (PRE SB 767-78-0020)	A,E,L ,M	2
-92A	315T3212-13		..CASCADE ASSY-39.2 DEG SKEWED (315T4212-3 WITH ITS ATTACHING PARTS I/W 315T3212-13 TOGETHER WITH ITS ATTACHING PARTS) (OPT ITEM 92) (USED ON ITEMS 20G, 20H, 20M) (PRE SB 767-78-0020)	A,E,L ,M	2
-92B	315T3212-13		..CASCADE ASSY-39.2 DEG SKEWED (315T4212-3 WITH ITS ATTACHING PARTS I/W 315T3212-13 TOGETHER WITH ITS ATTACHING PARTS) (USED ON ITEMS 20J, 20K, 20L) (PRE SB 767-78-0020)	E,M	2

71-11-31

 ILLUSTRATED PARTS LIST  
 01.1 Page 1064F  
 Jul 01/03


**BOEING**  
 COMPONENT  
 MAINTENANCE MANUAL

FIG. & ITEM	PART NO.	AIRLINE PART NUMBER	NOMENCLATURE 1234567	EFF CODE	QTY PER ASSY
01- -92C	315T4212-3		..CASCADE ASSY-39.2 DEG. SKEWED (315T4212-3 T/W ITS ATTACHING PARTS I/W 315T3212-3 OR -13 T/W ITS ATTACHING PARTS) (OPT ITEM 92D) (USED ON ITEMS 20G, 20H, 20J, 20K, 20L, 20M) (POST SB 767-78-0020)	A,E,L ,M	2
-92D	315T4210-3		..CASCADE ASSY-39.2 DEG. SKEWED (315T4210-3 WITH ITS ATTACHING PARTS I/W 315T3210-1 OR -8 T/W ITS ATTACHING PARTS) (OPT ITEM 92C) (USED ON ITEMS 20G, 20H, 20J, 20K, 20L, 20M) (POST SB 767-78-0020)	A,E,L ,M	2
95	315T3212-3		..CASCADE ASSY-39.2 DEG SKEWED (315T4212-3 T/W ITS ATTACHING PARTS I/W 315T3212-3 T/W ITS ATTACHING PARTS) (OPT ITEM 95A) (USED ON ITEMS 35G, 35H, 35T) (PRE SB 767-78-0020)	D,J,N ,P	1
-95A	315T3212-13		..CASCADE ASSY-39.2 DEG SKEWED (315T4212-3 WITH ITS ATTACHING PARTS I/W 315T3212-13 TOGETHER WITH ITS ATTACHING PARTS) (OPT ITEM 95) (USED ON ITEMS 35G, 35H, 35T) (PRE SB 767-78-0020)	D,J,N ,P	1

71-11-31

ILLUSTRATED PARTS LIST

01.1 Page 1064G

Jul 01/03

FIG. & ITEM	PART NO.	AIRLINE PART NUMBER	NOMENCLATURE 1234567	EFF CODE	QTY PER ASSY
01- -95B	315T3212-13		..CASCADE ASSY-39.2 DEG SKEWED (315T4212-3 WITH ITS ATTACHING PARTS I/W 315T3212-13 TOGETHER WITH ITS ATTACHING PARTS) (USED ON ITEMS 35Q, 35R, 35S) (PRE SB 767-78-0020)	J,P	1
-95C	315T4212-3		..CASCADE ASSY-39.2 DEG. SKEWED (315T4212-3 T/W ITS ATTACHING PARTS I/W 315T3212-3 OR -13 T/W ITS ATTACHING PARTS) (OPT ITEM 95D) (USED ON ITEMS 35G, 35H, 35Q, 35R, 35S, 35T) (POST SB 767-78-0020)	D,J,N ,P	1
-95D	315T4210-3		..CASCADE ASSY-39.2 DEG. SKEWED (315T4210-3 WITH ITS ATTACHING PARTS I/W 315T3210-1 OR -8 T/W ITS ATTACHING PARTS) (OPT ITEM 95C) (USED ON ITEMS 35G, 35H, 35Q, 35R, 35S, 35T) (POST SB 767-78-0020)	D,J,N ,P	1
98	315T3212-4		..CASCADE ASSY-39.2 DEG SKEWED (315T4212-4 T/W ITS ATTACHING PARTS I/W 315T3212-4 T/W ITS ATTACHING PARTS) (OPT ITEM 98A) (USED ON ITEMS 25, 25A, 25B) (PRE SB 767-78-0020)	B	2

71-11-31

 ILLUSTRATED PARTS LIST  
 01.1 Page 1064H  
 Jul 01/03


**BOEING**  
 COMPONENT  
 MAINTENANCE MANUAL

FIG. & ITEM	PART NO.	AIRLINE PART NUMBER	NOMENCLATURE 1234567	EFF CODE	QTY PER ASSY
01- -98A	315T3212-14		..CASCADE ASSY-39.2 DEG SKEWED (315T4212-4 WITH ITS ATTACHING PARTS I/W 315T3212-14 TOGETHER WITH ITS ATTACHING PARTS) (OPT ITEM 98) (USED ON ITEMS 25, 25A, 25B) (PRE SB 767-78-0020)	B	2
-98B	315T3212-14		..CASCADE ASSY-39.2 DEG SKEWED (315T4212-4 WITH ITS ATTACHING PARTS I/W 315T3212-14 TOGETHER WITH ITS ATTACHING PARTS) (USED ON ITEMS 25C, 25D) (PRE SB 767-78-0020)	B	2
-98C	315T4212-4		..CASCADE ASSY-39.2 DEG SKEWED (315T4212-4 WITH ITS ATTACHING PARTS I/W 315T3212-4 OR -14 T/W ITS ATTACHING PARTS) (OPT ITEM 98D) (USED ON ITEMS 25, 25A, 25B, 25C, 25D) (POST SB 767-78-0020)	B	2
-98D	315T4210-3		..CASCADE ASSY-39.2 DEG. SKEWED (315T4210-3 WITH ITS ATTACHING PARTS I/W 315T3210-1 OR -8 T/W ITS ATTACHING PARTS) (OPT ITEM 98C) (USED ON ITEMS 25, 25A, 25B, 25C, 25D) (POST SB 767-78-0020)	B	2

71-11-31

 ILLUSTRATED PARTS LIST  
 01.1 Page 1064I  
 Jul 01/03

FIG. & ITEM	PART NO.	AIRLINE PART NUMBER	NOMENCLATURE 1234567	EFF CODE	QTY PER ASSY
01-101	315T3212-4		..CASCADE ASSY-39.2 DEG SKEWED (315T4212-4 T/W ITS ATTACHING PARTS I/W 315T3212-4 T/W ITS ATTACHING PARTS) (OPT ITEM 101A) (USED ON ITEMS 30, 30A, 30B) (PRE SB 767-78-0020)	C	1
-101A	315T3212-14		..CASCADE ASSY-39.2 DEG SKEWED (OPT ITEM 101) (315T4212-4 WITH ITS ATTACHING PARTS I/W 315T3212-14 TOGETHER WITH ITS ATTACHING PARTS) (USED ON ITEMS 30, 30A, 30B) (PRE SB 767-78-0020)	C	1
-101B	315T3212-14		..CASCADE ASSY-39.2 DEG SKEWED (315T4212-4 WITH ITS ATTACHING PARTS I/W 315T3212-14 TOGETHER WITH ITS ATTACHING PARTS) (USED ON ITEMS 30D, 30F) (PRE SB 767-78-0020)	C	1
-101C	315T4212-4		..CASCADE ASSY-39.2 DEG SKEWED (315T4212-4 WITH ITS ATTACHING PARTS I/W 315T3212-4 OR -14 T/W ITS ATTACHING PARTS) (OPT ITEM 101D) (USED ON ITEMS 30, 30A, 30B, 30D, 30F) (POST SB 767-78-0020)	C	1

# 71-11-31

 ILLUSTRATED PARTS LIST  
 01.1 Page 1064J  
 Jul 01/03


**BOEING**  
 COMPONENT  
 MAINTENANCE MANUAL

FIG. & ITEM	PART NO.	AIRLINE PART NUMBER	NOMENCLATURE 1234567	EFF CODE	QTY PER ASSY
01- -101D	315T4210-3		..CASCADE ASSY-39.2 DEG. SKEWED (315T4210-3 WITH ITS ATTACHING PARTS I/W 315T3210-1 OR -8 T/W ITS ATTACHING PARTS) (OPT ITEM 101C) (USED ON ITEMS 30, 30A, 30B, 30D, 30F) (POST SB 767-78-0020)	C	1
104	BACR15CE3B		...RIVET- (SIZE DETERMINE ON INST) (USED ON ITEMS 92, 92A, 92B, 98, 98A, 98B)	A,B,E ,L,M	4
104J	BACR15CE3B		...RIVET- (SIZE DETERMINE ON INST) (USED ON ITEMS 92C, 92D, 98C, 98D)	A,B,E ,L,M	8
-105	315T4210-9		...SPACER-RADIUS FILLER (USED ON ITEMS 92C, 92D, 98C, 98D)	A,B,E ,L,M	2
-106	315T4210-10		...SPACER-RADIUS FILLER (USED ON ITEMS 92C, 92D, 98C, 98D)	A,B,E ,L,M	2
107	BACR15CE3B		...RIVET- (SIZE DETERMINE ON INST) (USED ON ITEMS 95, 95A, 95B, 101, 101A, 101B)	C,D,J ,N,P	4
-107J	BACR15CE3B		...RIVET- (SIZE DETERMINE ON INST) (USED ON ITEMS 95C, 95D, 101C, 101D)	C,D,J ,N,P	8

71-11-31

 ILLUSTRATED PARTS LIST  
 01.1 Page 1064K  
 Jul 01/03



FIG. & ITEM	PART NO.	AIRLINE PART NUMBER	NOMENCLATURE 1234567	EFF CODE	QTY PER ASSY
01- -108	315T4210-9		...SPACER-RADIUS FILLER (USED ON ITEMS 95C, 95D, 101C, 101D)	C,D,J ,N,P	2
-109	315T4210-10		...SPACER-RADIUS FILLER (USED ON ITEMS 95C, 95D, 101C, 101D)	C,D,J ,N,P	2
110	M13640-048		...NUTPLATE- (V80539) (USED ON ITEMS 92, 92A, 92B, 98, 98A, 98B)	A,B,E ,L,M	2
-111	BRF200C4D		...NUTPLATE-RADIUS FILLER (V52828) (SPEC BACN10JR4CFD) (OPT K51602-4BAC (V15653)) (OPT NS202476-048 (V80539)) (OPT 102F9201-4 (V72962)) (OPT T8092C428CD (V11815)) (USED ON ITEMS 92C, 92D, 98C, 98D)	A,B,E ,L,M	2
-112	BRF100C4D		...NUTPLATE-RADIUS FILLER (V52828) (SPEC BACN10KB4CFD) (OPT F51604-4 (V15653)) (OPT 102F9207P4 (V72962)) (OPT F51604-4 (V15653)) (USED ON ITEMS 92C, 92D, 98C, 98D)	A,B,E ,L,M	2

71-11-31

 ILLUSTRATED PARTS LIST  
 01.1 Page 1064L  
 Jul 01/03


**BOEING**  
 COMPONENT  
 MAINTENANCE MANUAL

FIG. & ITEM	PART NO.	AIRLINE PART NUMBER	NOMENCLATURE 1234567	EFF CODE	QTY PER ASSY
01-113	M13640-048		...NUTPLATE- (V80539) (USED ON ITEMS 95, 95A, 95B, 101, 101A, 101B)	C,D,J ,N,P	2
-114	BRF200C4D		...NUTPLATE-RADIUS FILLER (V52828) (SPEC BACN10JR4CFD) (OPT K51602-4BAC (V15653)) (OPT NS202476-048 (V80539)) (OPT 102F9201-4 (V72962)) (OPT T8092C428CD (V11815)) (USED ON ITEMS 95C, 95D, 101C, 101D)	C,D,J ,N,P	2
-115	BRF100C4D		...NUTPLATE-RADIUS FILLER (V52828) (SPEC BACN10KB4CFD) (OPT F51604-4 (V15653)) (OPT 102F9207P4 (V72962)) (OPT F51604-4 (V15653)) (USED ON ITEMS 95C, 95D, 101C, 101D)	C,D,J ,N,P	2
116	BACR15BB3B		...RIVET- (SIZE DETERMINE ON INST)	A,B,E ,L,M	2
119	BACR15BB3B		...RIVET- (SIZE DETERMINE ON INST)	C,D,J ,N,P	2
122	69B97503-1		...TAG-IDENT (USED ON ITEMS 92, 92A, 92B, 98, 98A, 98B)	A,B,E ,L,M	1

71-11-31

 ILLUSTRATED PARTS LIST  
 01.1 Page 1064M  
 Jul 01/03

FIG. & ITEM	PART NO.	AIRLINE PART NUMBER	NOMENCLATURE 1234567	EFF CODE	QTY PER ASSY
01-					
-122A	315T4210-11		DELETED		
-122B	315T4210-11		...TAG-IDENT (OPT ITEM 122C) (USED ON ITEMS 92C, 92D, 98C, 98D)	A,B,E ,L,M	1
-122C	69B97503-1		...TAG-IDENT (OPT ITEM 122B) (USED ON ITEMS 92C, 92D, 98C, 98D)	A,B,E ,L,M	1
123	69B97503-1		...TAG-IDENT (USED ON ITEMS 95, 95A, 95B, 101, 101A, 101B)	C,D,J ,N,P	1
-123A	315T4210-11		DELETED		
-123B	315T4210-11		...TAG-IDENT (OPT ITEM 123C) (USED ON ITEMS 95C, 95D, 101C, 101D)	C,D,J ,N,P	1
-123C	69B97503-1		...TAG-IDENT (OPT ITEM 123B) (USED ON ITEMS 95C, 95D, 101C, 101D)	C,D,J ,N,P	1
124	315T3212-7		...CASCADE- (USED ON ITEM 92)	A,E,L ,M	1
-124A	315T3212-17		...CASCADE- (USED ON ITEMS 92A, 92B)	A,E,L ,M	1
-124B	315T4212-7		...CASCADE- (USED ON ITEM 92C)	A,E,L ,M	1
-124C	315T4210-7		...CASCADE- (USED ON ITEM 92D)	A,E,L ,M	1
125	315T3212-7		...CASCADE- (USED ON ITEM 95)	D,J,N ,P	1
-125A	315T3212-17		...CASCADE- (USED ON ITEMS 95A, 95B)	D,J,N ,P	1
-125B	315T4212-7		...CASCADE- (USED ON ITEMS 95C)	D,J,N ,P	1
-125C	315T4210-7		...CASCADE- (USED ON ITEMS 95D)	D,J,N ,P	1
126	315T3212-8		...CASCADE- (USED ON ITEM 98)	B	1
-126A	315T3212-18		...CASCADE- (USED ON ITEMS 98A, 98B)	B	1
-126B	315T4212-8		...CASCADE- (USED ON ITEMS 98C)	B	1
-126C	315T4210-7		...CASCADE- (USED ON ITEMS 98D)	B	1

71-11-31

 ILLUSTRATED PARTS LIST  
 01.1 Page 1064N  
 Jul 01/03


**BOEING**  
 COMPONENT  
 MAINTENANCE MANUAL

FIG. & ITEM	PART NO.	AIRLINE PART NUMBER	NOMENCLATURE 1234567	EFF CODE	QTY PER ASSY
01-127	315T3212-8		...CASCADE- (USED ON ITEM 101)	C	1
-127A	315T3212-18		...CASCADE- (USED ON ITEMS 101A, 101B)	C	1
-127B	315T4212-8		...CASCADE- (USED ON ITEMS 101C)	C	1
-127C	315T4210-7		...CASCADE- (USED ON ITEMS 101D)	C	1
128	315T3212-1		..CASCADE ASSY-39.2 DEG SKEWED (315T4212-1 T/W ITS ATTACHING PARTS I/W 315T3212-1 T/W ITS ATTACHING PARTS) (OPT ITEM 128A) (USED ON ITEMS 20G, 20H, 20M) (PRE SB 767-78-0020)	A,E,L ,M	1

71-11-31

 ILLUSTRATED PARTS LIST  
 01.1 Page 10640  
 Jul 01/03

FIG. & ITEM	PART NO.	AIRLINE PART NUMBER	NOMENCLATURE 1234567	EFF CODE	QTY PER ASSY
01- -128A	315T3212-11		..CASCADE ASSY-39.2 DEG SKEWED (315T4212-1 WITH ITS ATTACHING PARTS I/W 315T3212-11 TOGETHER WITH ITS ATTACHING PARTS) (OPT ITEM 128) (USED ON ITEMS 20G, 20H, 20M) (PRE SB 767-78-0020)	A,E,L ,M	1
-128B	315T3212-11		..CASCADE ASSY-39.2 DEG SKEWED (315T4212-1 WITH ITS ATTACHING PARTS I/W 315T3212-11 TOGETHER WITH ITS ATTACHING PARTS) (USED ON ITEMS 20J, 20K, 20L) (PRE SB 767-78-0020)	E,M	1
-128C	315T4212-1		..CASCADE ASSY-39.2 DEG SKEWED (315T4212-1 WITH ITS ATTACHING PARTS I/W 315T3212-1 OR -11 T/W ITS ATTACHING PARTS) (USED ON ITEMS 20G, 20H, 20J, 20K, 20L, 20M) (POST SB 767-78-0020)	A,E,L ,M	1

# 71-11-31

 ILLUSTRATED PARTS LIST  
 01.1 Page 1064P  
 Jul 01/03


**BOEING**  
 COMPONENT  
 MAINTENANCE MANUAL

FIG. & ITEM	PART NO.	AIRLINE PART NUMBER	NOMENCLATURE 1234567	EFF CODE	QTY PER ASSY
01-131	315T3212-2		..CASCADE ASSY-39.2 DEG SKEWED (315T4212-2 T/W ITS ATTACHING PARTS I/W 315T3212-2 T/W ITS ATTACHING PARTS) (OPT ITEM 131A) (USED ON ITEMS 25, 25A, 25B) (PRE SB 767-78-0020)	B	1
-131A	315T3212-12		..CASCADE ASSY-39.2 DEG SKEWED (315T4212-2 WITH ITS ATTACHING PARTS I/W 315T3212-13 TOGETHER WITH ITS ATTACHING PARTS) (OPT ITEM 131) (USED ON ITEMS 25, 25A, 25B) (PRE SB 767-78-0020)	B	1
-131B	315T3212-12		..CASCADE ASSY-39.2 DEG SKEWED (315T4212-2 WITH ITS ATTACHING PARTS I/W 315T3212-12 TOGETHER WITH ITS ATTACHING PARTS) (USED ON ITEMS 25C, 25D) (PRE SB 767-78-0020)	B	1
-131C	315T4212-2		..CASCADE ASSY-39.2 DEG SKEWED (315T4212-2 WITH ITS ATTACHING PARTS I/W 315T3212-2 OR -12 T/W ITS ATTACHING PARTS) (USED ON ITEMS 25, 25A, 25B, 25C, 25D) (POST SB 767-78-0020)	B	1

71-11-31

 ILLUSTRATED PARTS LIST  
 01.1 Page 1064Q  
 Jul 01/03

FIG. & ITEM	PART NO.	AIRLINE PART NUMBER	NOMENCLATURE 1234567	EFF CODE	QTY PER ASSY
01-134	BACR15CE3B		...RIVET- (SIZE DETERMINE ON INST) (USED ON ITEMS 128, 128A, 128B, 131, 131A, 131B)	A,B,E ,L,M	4
-134J	BACR15CE3B		...RIVET- (SIZE DETERMINE ON INST) (USED ON ITEMS 128C, 131C)	A,B,E ,L,M	8
-135	315T4210-9		...SPACER-RADIUS FILLER (USED ON ITEMS 128C, 131C)	A,B,E ,L,M	2
-136	315T4210-10		...SPACER-RADIUS FILLER (USED ON ITEMS 128C, 131C)	A,B,E ,L,M	2
137	M13640-048		...NUTPLATE- (V80539) (USED ON ITEMS 128, 128A, 128B, 131, 131A, 131B)	A,B,E ,L,M	2
-138	BRF200C4D		...NUTPLATE- (V52828) (SPEC BACN10JR4CFD) (OPT K51602-4BAC (V15653)) (OPT NS202476-048 (V80539)) (OPT 102F9201-4 (V72962)) (OPT T8092C428CD (V11815)) (USED ON ITEMS 128C, 131C)	A,B,E ,L,M	2

71-11-31

 ILLUSTRATED PARTS LIST  
 01.1 Page 1064R  
 Jul 01/03


**BOEING**  
 COMPONENT  
 MAINTENANCE MANUAL

FIG. & ITEM	PART NO.	AIRLINE PART NUMBER	NOMENCLATURE 1234567	EFF CODE	QTY PER ASSY
01- -139	BRF100C4D		...NUTPLATE- (V52828) (SPEC BACN10KB4CFD) (OPT F51604-4 (V15653)) (OPT 102F9207P4 (V72962)) (OPT F51604-4 (V15653)) (USED ON ITEMS 128C, 131C)	A,B,E ,L,M	2
140	BACR15BB3B		...RIVET- (SIZE DETERMINE ON INST)	A,B,E ,L,M	2
143	69B97503-1		...TAG-IDENT (USED ON ITEMS 128, 128A, 128B, 131, 131A, 131B)	A,B,E ,L,M	1
-143A	315T4210-11		...TAG-IDENT (OPT ITEM 143B) (USED ON ITEMS 128C, 131C)	A,B,E ,L,M	1
-143B	69B97503-1		...TAG-IDENT (OPT ITEM 143A) (USED ON ITEMS 128C, 131C)	A,B,E ,L,M	1
144	315T3212-5		...CASCADE- (USED ON ITEM 128)	A,E,L ,M	1
-144A	315T3212-15		...CASCADE- (USED ON ITEM 128A, 128B)	A,E,L ,M	1
-144B	315T4212-5		...CASCADE- (USED ON ITEM 128C)	A,E,L ,M	1

71-11-31

 ILLUSTRATED PARTS LIST  
 01.1 Page 1064S  
 Jul 01/03



FIG. & ITEM	PART NO.	AIRLINE PART NUMBER	NOMENCLATURE 1234567	EFF CODE	QTY PER ASSY
01-145	315T3212-6		...CASCADE- (USED ON ITEM 131)	B	1
-145A	315T3212-16		...CASCADE- (USED ON ITEMS 131A, 131B)	B	1
-145B	315T4212-6		...CASCADE- (USED ON ITEM 131C)	B	1
146	315T3259-1		..CASCADE ASSY-58.25 DEG CURVED STRONGBACK (OPT ITEM 146A) (USED ON ITEMS 30, 30A, 30B) (PRE SB 767-78-0020)	C	2
-146A	315T3259-7		..CASCADE ASSY-58.25 DEG CURVED STRONGBACK (315T4259-1 WITH ITS ATTACHING PARTS I/W 315T3259-7 TOGETHER WITH ITS ATTACHING PARTS) (OPT ITEM 146) (USED ON ITEMS 30, 30A, 30B) (PRE SB 767-78-0020)	C	2
-146B	315T3259-7		..CASCADE ASSY-58.25 DEG CURVED STRONGBACK (315T4259-1 WITH ITS ATTACHING PARTS I/W 315T3259-7 TOGETHER WITH ITS ATTACHING PARTS) (USED ON ITEMS 30D, 30F) (PRE SB 767-78-0020)	C	2

71-11-31

 ILLUSTRATED PARTS LIST  
 01.1 Page 1064T  
 Jul 01/03


**BOEING**  
 COMPONENT  
 MAINTENANCE MANUAL

FIG. & ITEM	PART NO.	AIRLINE PART NUMBER	NOMENCLATURE 1234567	EFF CODE	QTY PER ASSY
01- -146C	315T4259-1		..CASCADE ASSY-58.25 DEG CURVED STRONGBACK (315T4259-1 WITH ITS ATTACHING PARTS I/W 315T3259-7 T/W ITS ATTACHING PARTS) (USED ON ITEMS 30, 30A, 30B, 30D, 30F) (POST SB 767-78-0020) (PRE SB 767-78-0069)		2
-146D	315T4259-7		..CASCADE ASSY-58.25 DEG CURVED STRONGBACK (OPT ITEM 146E) (USED ON ITEMS 30, 30A, 30B, 30D, 30F) (POST SB 767-78-0069)	C	2
-146E	315T4259-9		..CASCADE ASSY-58.25 DEG CURVED STRONGBACK (OPT ITEM 146D) (USED ON ITEMS 30, 30A, 30B, 30D, 30F) (POST SB 767-78-0069)	C	2
149	315T3259-2		..CASCADE ASSY-58.25 DEG CURVED STRONGBACK (315T4259-2 T/W ITS ATTACHING PARTS I/W 315T3259-2 T/W ITS ATTACHING PARTS) (OPT ITEM 149A) (USED ON ITEMS 35G, 35H, 35T) (PRE SB 767-78-0020)	D, J, N , P	2
-149A	315T3259-8		..CASCADE ASSY-58.25 DEG CURVED STRONGBACK (315T4259-2 WITH ITS ATTACHING PARTS I/W 315T3259-8 TOGETHER WITH ITS ATTACHING PARTS) (OPT ITEM 149) (USED ON ITEMS 35G, 35H, 35T) (PRE SB 767-78-0020)	D, J, N , P	2

71-11-31

 ILLUSTRATED PARTS LIST  
 01.1 Page 1064U  
 Jul 01/03

FIG. & ITEM	PART NO.	AIRLINE PART NUMBER	NOMENCLATURE 1234567	EFF CODE	QTY PER ASSY
01- -149B	315T3259-8		..CASCADE ASSY-58.25 DEG CURVED STRONGBACK (315T4259-2 WITH ITS ATTACHING PARTS I/W 315T3259-8 TOGETHER WITH ITS ATTACHING PARTS) (USED ON ITEMS 35Q, 35R, 35S) (PRE SB 767-78-0020)	J,P	2
-149C	315T4259-2		..CASCADE ASSY-58.25 DEG CURVED STRONGBACK (315T4259-2 WITH ITS ATTACHING PARTS I/W 315T3259-2 OR -18 T/W ITS ATTACHING PARTS) (USED ON ITEMS 35G, 35H, 35Q, 35R, 35S, 35T) (POST SB 767-78-0020) (PRE SB 767-78-0069)		2
-149D	315T4259-8		..CASCADE ASSY-58.25 DEG CURVED STRONGBACK (OPT ITEM 149E) (USED ON ITEMS 35G, 35H, 35Q, 35R, 35S, 35T) (POST SB 767-78-0069)	D,J,N ,P	2
-149E	315T4259-10		..CASCADE ASSY-58.25 DEG CURVED STRONGBACK (OPT ITEM 149D) (USED ON ITEMS 35G, 35H, 35Q, 35R, 35S, 35T) (POST SB 767-78-0069)	D,J,N ,P	2
152	BACR15CE3B		...RIVET- (SIZE DETERMINE ON INST)	C,D,J ,N,P	8
-153	315T4210-9		...SPACER-RADIUS FILLER (USED ON ITEMS 146C, 146D, 146E, 149C, 149D, 149E)	C,D,J ,N,P	2
-154	315T4210-10		...SPACER-RADIUS FILLER (USED ON ITEMS 146C, 146D, 146E, 149C, 149D, 149E)	C,D,J ,N,P	2

71-11-31

 ILLUSTRATED PARTS LIST  
 01.1 Page 1064V  
 Jul 01/03



**BOEING**  
 COMPONENT  
 MAINTENANCE MANUAL

FIG. & ITEM	PART NO.	AIRLINE PART NUMBER	NOMENCLATURE	EFF CODE	QTY PER ASSY
			1234567		
01-155	M13640-048		...NUTPLATE- (V80539) (USED ON ITEMS 146, 146A, 146B, 149, 149A, 149B)	C,D,J ,N,P	4
-156	BRF200C4D		...NUTPLATE- (V52828) (SPEC BACN10JR4CFD) (OPT K51602-4BAC (V15653)) (OPT NS202476-048 (V80539)) (OPT 102F9201-4 (V72962)) (OPT T8092C428CD (V11815)) (USED ON ITEMS 146C, 146D, 146E, 149C, 149D 149E)	C,D,J ,N,P	2
-157	BRF100C4D		...NUTPLATE- (V52828) (SPEC BACN10KB4CFD) (OPT F51604-4 (V15653)) (OPT 102F9207P4 (V72962)) (OPT F51604-4 (V15653)) (USED ON ITEMS 146C, 146D, 146E, 149C, 149D 149E)	C,D,J ,N,P	2

71-11-31

ILLUSTRATED PARTS LIST  
 01.1 Page 1064W  
 Jul 01/03

FIG. & ITEM	PART NO.	AIRLINE PART NUMBER	NOMENCLATURE 1234567	EFF CODE	QTY PER ASSY
01-158	BACR15BB3B		...RIVET- (SIZE DETERMINE ON INST)	C,D,J ,N,P	2
161	69B97503-1		...TAG-IDENT	C,D,J ,N,P	1
162	315T3259-3		...CASCADE- (USED ON ITEM 146)	C	1
162A	315T3259-9		...CASCADE- (USED ON ITEMS 146A, 146B)	C	1
-162B	315T4259-3		...CASCADE- (USED ON ITEMS 146C, 146D)	C	1
-162C	315T4259-11		...CASCADE- (USED ON ITEMS 146E)	C	1
163	315T3259-4		...CASCADE- (USED ON ITEM 149)	D,J,N ,P	1
-163A	315T3259-10		...CASCADE- (USED ON ITEMS 149A, 149B)	D,J,N ,P	1
-163B	315T4259-4		...CASCADE- (USED ON ITEMS 149C, 149D)	D,J,N ,P	1
-163C	315T4259-12		...CASCADE- (USED ON ITEMS 149E)	D,J,N ,P	1

71-11-31

 ILLUSTRATED PARTS LIST  
 01.1 Page 1064X  
 Jul 01/03


**BOEING**  
 COMPONENT  
 MAINTENANCE MANUAL

FIG. & ITEM	PART NO.	AIRLINE PART NUMBER	NOMENCLATURE 1234567	EFF CODE	QTY PER ASSY
01- 164 164A	315T3211-1 315T3262-1		DELETED		
			..CASCADE ASSY-90 DEG RADIAL FLOW (315T4262-1 T/W ITS ATTACHING PARTS I/W 315T3262-1 T/W ITS ATTACHING PARTS) (OPT ITEM 164B) (USED ON ITEMS 30, 30A, 30B, 35G, 35H, 35T) (PRE SB 767-78-0020)	C,D,J ,N,P	2
-164B	315T3262-4		..CASCADE ASSY-90 DEG RADIAL FLOW (315T4262-1 WITH ITS ATTACHING PARTS I/W 315T3262-4 TOGETHER WITH ITS ATTACHING PARTS) (OPT ITEM 164A) (USED ON ITEMS 30, 30A, 30B, 35G, 35H, 35T) (PRE SB 767-78-0020)	C,D,J ,N,P	2
-164C	315T3262-4		..CASCADE ASSY-90 DEG RADIAL FLOW (315T4262-1 WITH ITS ATTACHING PARTS I/W 315T3262-4 TOGETHER WITH ITS ATTACHING PARTS) (USED ON ITEMS 30D, 30F, 35Q, 35R, 35S, 35T) (PRE SB 767-78-0020)	C,J,P	2
-164D	315T4262-1		..CASCADE ASSY-90 DEG RADIAL FLOW (315T4262-1 WITH ITS ATTACHING PARTS I/W 315T3262-4 OR -1 T/W ITS ATTACHING PARTS) (USED ON ITEMS 30, 30A, 30B, 30D, 30F, 35G, 35H, 35Q, 35R, 35S, 35T) (POST SB 767-78-0020)	C,D,J ,N,P	2

71-11-31

ILLUSTRATED PARTS LIST

01.1 Page 1064Y

Jul 01/03

FIG. & ITEM	PART NO.	AIRLINE PART NUMBER	NOMENCLATURE 1234567	EFF CODE	QTY PER ASSY
01-167	BACR15CE3B		...RIVET- (SIZE DETERMINE ON INST)	C,D,J ,N,P	8
-168	315T4210-9		...SPACER-RADIUS FILLER (USED ON ITEM 164D)	C,D,J ,N,P	2
-169	315T4210-10		...SPACER-RADIUS FILLER (USED ON ITEM 164D)	C,D,J ,N,P	2
170	M13640-048		...NUTPLATE- (V80539) (USED ON ITEMS 164A, 164B, 164C)	C,D,J ,N,P	4
-171	BRF200C4D		...NUTPLATE- (V52828) (SPEC BACN10JR4CFD) (OPT K51602-4BAC (V15653)) (OPT NS202476-048 (V80539)) (OPT 102F9201-4 (V72962)) (OPT T8092C428CD (V11815)) (USED ON ITEM 164D)	C,D,J ,N,P	2
-172	BRF100C4D		...NUTPLATE- (V52828) (SPEC BACN10KB4CFD) (OPT F51604-4 (V15653)) (OPT 102F9207P4 (V72962)) (OPT F51604-4 (V15653)) (USED ON ITEM 164D)	C,D,J ,N,P	2

71-11-31

 ILLUSTRATED PARTS LIST  
 01.1 Page 1064Z  
 Jul 01/03


**BOEING**  
 COMPONENT  
 MAINTENANCE MANUAL

FIG. & ITEM	PART NO.	AIRLINE PART NUMBER	NOMENCLATURE 1234567	EFF CODE	QTY PER ASSY
01-173	BACR15BB3B		...RIVET- (SIZE DETERMINE ON INST)	C,D,J ,N,P	2
176	69B97503-1		...TAG-IDENT	C,D,J ,N,P	1
177	315T3211-3		DELETED		
177A	315T3262-2		...CASCADE- (USED ON ITEM 164A)	C,D,J ,N,P	1
-177B	315T3262-5		...CASCADE- (USED ON ITEMS 164B, 164C)	C,D,J ,N,P	1
-177C	315T4262-2		...CASCADE- (USED ON ITEM 164D)	C,D,J ,N,P	1
179	315T3214-2		..CASCADE ASSY-CURVED STRONGBACK (315T4214-2 T/W ITS ATTACHING PARTS I/W 315T3214-2 T/W ITS ATTACHING PARTS IN POSITION NO. 18 ONLY) (315T4214-4 T/W ITS ATTACHING PARTS I/W 315T3214-2 T/W ITS ATTACHING PARTS IN POSITION NO. 24 ONLY) (OPT ITEM 179A) (USED ON ITEMS 30, 30A, 30B, 35G, 35H, 35T) (PRE SB 767-78-0020)	C,D,J ,N,P	2
-179A	315T3214-8		..CASCADE ASSY-CURVED STRONGBACK (315T4214-2 TOGETHER WITH ITS ATTACHING PARTS I/W 315T3214-8 TOGETHER WITH ITS ATTACHING PARTS IN POSITION NO. 18 ONLY) (315T4214-4 TOGETHER WITH ITS ATTACHING PARTS I/W 315T3214-8 TOGETHER WITH ITS ATTACHING PARTS) (OPT ITEM 179) (USED ON ITEMS 30, 30A, 30B, 35G, 35H, 35T) (PRE SB 767-78-0020)	C,D,J ,N,P	2

71-11-31

ILLUSTRATED PARTS LIST

01.1

Page 1065

Jul 01/03



FIG. & ITEM	PART NO.	AIRLINE PART NUMBER	NOMENCLATURE 1234567	EFF CODE	QTY PER ASSY
01- -179B	315T3214-8		..CASCADE ASSY-CURVED STRONGBACK (315T4214-2 TOGETHER WITH ITS ATTACHING PARTS I/W 315T3214-8 TOGETHER WITH ITS ATTACHING PARTS) (315T4214-4 TOGETHER WITH ITS ATTACHING PARTS I/W 315T3214-8 TOGETHER WITH ITS ATTACHING PARTS) (USED ON ITEMS 30D, 30F, 35Q, 35R, 35S) (PRE SB 767-78-0020)	C,J,P	2
-179C	315T4214-2		..CASCADE ASSY-CURVED STRONGBACK (315T4214-2 WITH ITS ATTACHING PARTS I/W 315T3214-8 OR -2 T/W ITS ATTACHING PARTS IN POSITION NO. 18 ONLY) (OPT ITEM 179D) (USED ON ITEMS 30, 30A, 30B, 30D, 30F, 35G, 35H, 35Q, 35R, 35S, 35T) (POST SB 767-78-0020)	C,D,J ,N,P	2
-179D	315T4214-4		..CASCADE ASSY-CURVED STRONGBACK (315T4214-4 WITH ITS ATTACHING PARTS I/W 315T3214-8 OR -2 T/W ITS ATTACHING PARTS IN POSITION NO. 24 ONLY) (OPT ITEM 179C) (USED ON ITEMS 30, 30A, 30B, 30D, 30F, 35G, 35H, 35Q, 35R, 35S, 35T) (POST SB 767-78-0020)	C,D,J ,N,P	2

71-11-31

 ILLUSTRATED PARTS LIST  
 01.1 Page 1066  
 Jul 01/03


**BOEING**  
 COMPONENT  
 MAINTENANCE MANUAL

FIG. & ITEM	PART NO.	AIRLINE PART NUMBER	NOMENCLATURE 1234567	EFF CODE	QTY PER ASSY
01-182	315T3214-1		..CASCADE ASSY-CURVED STRONGBACK (315T4214-1 T/W ITS ATTACHING PARTS I/W 315T3214-7 OR -1 T/W ITS ATTACHING PARTS IN POSITION NO. 27 ONLY) (315T4214-3 T/W ITS ATTACHING PARTS I/W 315T3214-1 T/W ITS ATTACHING PARTS) (OPT ITEM 182A) (USED ON ITEMS 30, 30A, 30B, 35G, 35H, 35T) (PRE SB 767-78-0020)	C,D,J ,N,P	2
-182A	315T3214-7		..CASCADE ASSY-CURVED STRONGBACK (315T4214-1 TOGETHER WITH ITS ATTACHING PARTS I/W 315T3214-7 TOGETHER WITH ITS ATTACHING PARTS IN POSITION NO. 27 ONLY) (315T4214-3 TOGETHER WITH ITS ATTACHING PARTS I/W 315T3214-7 TOGETHER WITH ITS ATTACHING PARTS IN POSITION NO. 15 ONLY) (OPT ITEM 182) (USED ON ITEMS 30, 30A, 30B, 35G, 35H, 35T) (PRE SB 767-78-0020)	C,D,J ,N,P	2

71-11-31

ILLUSTRATED PARTS LIST

01.1 Page 1066A

Jul 01/03

FIG. & ITEM	PART NO.	AIRLINE PART NUMBER	NOMENCLATURE 1234567	EFF CODE	QTY PER ASSY
01- -182B	315T3214-7		..CASCADE ASSY-CURVED STRONGBACK (315T4214-1 TOGETHER WITH ITS ATTACHING PARTS I/W 315T3214-7 TOGETHER WITH ITS ATTACHING PARTS IN POSITION NO. 27 ONLY) (315T4214-3 TOGETHER WITH ITS ATTACHING PARTS I/W 315T3214-7 TOGETHER WITH ITS ATTACHING PARTS IN POSITION NO. 15 ONLY) (USED ON ITEMS 30D, 30F, 35Q, 35R, 35S) (PRE SB 767-78-0020)	C,J,P	2
-182C	315T4214-1		..CASCADE ASSY-CURVED STRONGBACK (315T4214-1 T/W ITS ATTACHING PARTS I/W 315T3214-7 OR -1 T/W ITS ATTACHING PARTS IN POSITION NO. 27 ONLY) (OPT ITEM 182D) (USED ON ITEMS 30, 30A, 30B, 30D, 30F, 35G, 35H, 35Q, 35R, 35S, 35T) (POST SB 767-78-0020)	C,D,J ,N,P	2
-182D	315T4214-3		..CASCADE ASSY-CURVED STRONGBACK (315T4214-3 T/W ITS ATTACHING PARTS I/W 315T3214-7 OR -1 T/W ITS ATTACHING PARTS IN POSITION NO. 15 ONLY) (OPT ITEM 182C) (USED ON ITEMS 30, 30A, 30B, 30D, 30F, 35G, 35H, 35Q, 35R, 35S, 35T) (POST SB 767-78-0020)	C,D,J ,N,P	2
185	BACR15CE3B		...RIVET- (SIZE DETERMINE ON INST)	C,D,J ,N,P	8
-186	315T4210-9		...SPACER-RADIUS FILLER (USED ON ITEMS 179C, 179D, 182C, 182D)	C,D,J ,N,P	2

71-11-31

 ILLUSTRATED PARTS LIST  
 01.1 Page 1066B  
 Jul 01/03


**BOEING**  
 COMPONENT  
 MAINTENANCE MANUAL

FIG. & ITEM	PART NO.	AIRLINE PART NUMBER	NOMENCLATURE 1234567	EFF CODE	QTY PER ASSY
01- -187	315T4210-10		...SPACER-RADIUS FILLER (USED ON ITEMS 179C, 179D, 182C, 182D)	C,D,J ,N,P	2
188	M13640-048		...NUTPLATE- (V80539) (USED ON ITEMS 179, 179A, 179B, 182, 182A, 182B)	C,D,J ,N,P	4
-189	BRF200C4D		...NUTPLATE- (V52828) (SPEC BACN10JR4CFD) (OPT K51602-4BAC (V15653)) (OPT NS202476-048 (V80539)) (OPT 102F9201-4 (V72962)) (OPT T8092C428CD (V11815)) (USED ON ITEMS 179C, 179D, 182C, 182D)	C,D,J ,N,P	2
-190	BRF100C4D		...NUTPLATE- (V52828) (SPEC BACN10KB4CFD) (OPT F51604-4 (V15653)) (OPT 102F9207P4 (V72962)) (OPT F51604-4 (V15653)) (USED ON ITEMS 179C, 179D, 182C, 182D)	C,D,J ,N,P	2
191	BACR15BB3B		...RIVET- (SIZE DETERMINE ON INST)	C,D,J ,N,P	2
194	69B97503-1		...TAG-IDENT	C,D,J ,N,P	1
195	315T3214-6		...CASCADE- (USED ON ITEM 179)	C,D,J ,N,P	1
-195A	315T3214-10		...CASCADE- (USED ON ITEMS 179A, 179B)	C,D,J ,N,P	1
-195B	315T4214-6		...CASCADE- (USED ON ITEM 179C)	C,D,J ,N,P	1
-195C	315T4214-8		...CASCADE- (USED ON ITEM 179D)	C,D,J ,N,P	1

71-11-31

ILLUSTRATED PARTS LIST

01.1 Page 1066C

Jul 01/03

FIG. & ITEM	PART NO.	AIRLINE PART NUMBER	NOMENCLATURE 1234567	EFF CODE	QTY PER ASSY
01-196	315T3214-5		...CASCADE- (USED ON ITEM 182)	C,D,J ,N,P	1
-196A	315T3214-9		...CASCADE- (USED ON ITEMS 182A, 182B)	C,D,J ,N,P	1
-196B	315T4214-5		...CASCADE- (USED ON ITEM 182C)	C,D,J ,N,P	1
-196C	315T4214-7		...CASCADE- (USED ON ITEM 182D)	C,D,J ,N,P	1
197	BACR15BA3AD		..RIVET- (SIZE DETERMINE ON INST)		108
200	NS202495-048		..NUTPLATE- (V80539) (SPEC BACN10KE4DCD) (OPT F51753-4CD (V15653)) (OPT ITEM 200A)		54
-200A	NS103193SE048		..NUTPLATE- (V80539) (SPEC BACN10KE4DCM) (OPT F51753-4DL (V15653)) (OPT ITEM 200)		54
203	315T3305-107		..FAIRING INSTL-SKIN UPR TRACK	A,D,E ,J, L-P	1
203A	315T3305-107SP		DELETED		
-206	315T3305-108		..FAIRING INSTL-SKIN UPR TRACK	B,C	1
-206A	315T3305-108SP		DELETED		
207	315T3305-5001		...FAIRING INSTL- (REPLD BY ITEMS 207A, 207B, 207C, 207D)	A,D,E ,J, L-P	1
207A	315T3305-5003		...FAIRING INSTL- (REPLS ITEM 207) (REPLD BY ITEMS 207B, 207C, 207D)	A,D,E ,J, L-P	1
-207B	315T3305-5005		...FAIRING INSTL- (REPLS ITEMS 207, 207A) (REPLD BY ITEMS 207C, 207D)	A,D,E ,J, L-P	1

71-11-31

 ILLUSTRATED PARTS LIST  
 01.1 Page 1066D  
 Jul 01/03


**BOEING**  
 COMPONENT  
 MAINTENANCE MANUAL

FIG. & ITEM	PART NO.	AIRLINE PART NUMBER	NOMENCLATURE 1234567	EFF CODE	QTY PER ASSY
01- -207C	315T3305-5007		...FAIRING INSTL- (REPLS ITEMS 207, 207A, 207B) (REPLD BY ITEM 207C)	A,D,E ,J, L-P	1
-207D	315T3305-5009		...FAIRING INSTL- (REPLS ITEMS 207, 207A, 207B, 207C)	A,D,E ,J, L-P	1
-208	315T3305-5002		...FAIRING INSTL- (REPLD BY ITEMS 208A, 208B, 208C, 208D)	B,C	1
-208A	315T3305-5004		...FAIRING INSTL- (REPLS ITEM 208) (REPLD BY ITEMS 208B, 208C, 208D)	B,C	1
-208B	315T3305-5006		...FAIRING INSTL- (REPLS ITEMS 208, 208A) (REPLD BY ITEMS 208C, 208D)	B,C	1
-208C	315T3305-5008		...FAIRING INSTL- (REPLS ITEMS 208, 208A, 208B) (REPLD BY ITEM 208D)	B,C	1
-208D	315T3305-5010		...FAIRING INSTL- (REPLS ITEMS 208, 208A, 208B, 208C)	B,C	1
209	BACB30LL3-5		DELETED		
209A	BACB30VF3K5		....BOLT		25
210	BACR15FT5KE		....RIVET- (SIZE DETERMINE ON INST) (OPT ITEM 210L)		2

71-11-31

 ILLUSTRATED PARTS LIST  
 01.1 Page 1066E  
 Jul 01/03

FIG. & ITEM	PART NO.	AIRLINE PART NUMBER	NOMENCLATURE 1234567	EFF CODE	QTY PER ASSY
01-210L	BACB30MY5K		....BOLT- (SIZE DETERMINE ON INST) (OPT ITEM 210)		2
210S	KFN600-5		....NUT- (V56878) (SPEC BACN10XJ5) (OPT KFN600-5S (V15653)) (OPT BH00309-5 (V27238)) (OPT BH00309-5S (V27238)) (OPT KFN600-5 (V15653))		2
211	315T3305-125		....SUPPORT ASSY- (USED ON ITEM 207)	A,D,E J L-P B,C	1
-213	315T3305-126		....SUPPORT ASSY- (USED ON ITEM 208)		1
215	BACR15BA3AD		.....RIVET- (SIZE DETERMINE ON INST)		2
218	NS103194SE02-2		.....NUTPLATE- (V80539) (SPEC BACN10KE3E2CM) (OPT F51751-3-2DL (V15653)) (OPT 104F9216-2-3 (V72962)) (OPT BRFR120C3-2M (V52828))		1

71-11-31

 ILLUSTRATED PARTS LIST  
 01.1 Page 1066F  
 Jul 01/03


**BOEING**  
 COMPONENT  
 MAINTENANCE MANUAL

FIG. & ITEM	PART NO.	AIRLINE PART NUMBER	NOMENCLATURE 1234567	EFF CODE	QTY PER ASSY
01- 221 221A	315T3305-83 315T3305-115		DELETED ....SUPPORT ASSY- (USED ON ITEMS 207A, 207B)	A,D,E ,J, L-P	1
-224 -224A	315T3305-84 315T3305-116		DELETED ....SUPPORT ASSY- (USED ON ITEMS 208A, 208B)	B,C	1
227	BACR15BA3AD		.....RIVET- (SIZE DETERMINE ON INST)		2
230	NS103194SE02-2		.....NUTPLATE- (V80539) (SPEC BACN10KE3E2CM) (OPT F51751-3-2DL (V15653)) (OPT 104F9216-2-3 (V72962)) (OPT BRFR120C3-2M (V52828))		1
232	BACR15FT6KE		....RIVET- (SIZE DETERMINE ON INST) (OPT ITEM 232L)		10
232L	BACB30MY6K		....BOLT- (SIZE DETERMINE ON INST) (OPT ITEM 232)		10
232S	KFN600-6S		....NUT- (V15653) (SPEC BACN10XJ6) (OPT BH00309-6 (V27238)) (OPT BH00309-6S (V27238)) (OPT KFN600-6 (V15653)) (OPT KFN600-6 (V56878))		10

71-11-31

 ILLUSTRATED PARTS LIST  
 01.1 Page 1066G  
 Jul 01/03



FIG. & ITEM	PART NO.	AIRLINE PART NUMBER	NOMENCLATURE 1234567	EFF CODE	QTY PER ASSY
01-233	315T3305-79		....SUPPORT ASSY	A,D,E ,J, L-P	1
-236	315T3305-80		....SUPPORT ASSY	B,C	1
239	BACR15BA3AD		.....RIVET- (SIZE DETERMINE ON INST)		2
242	NS103191SE02-2		.....NUTPLATE- (V80539) (SPEC BACN10KE3B2CM) (OPT F51747-3-2DL (V15653)) (OPT 104F9213-2-3 (V72962)) (OPT 104F9213-2-3 (V72962))		1
245	315T3305-75		....SUPPORT ASSY	A,D,E ,J, L-P	1
-248	315T3305-76		....SUPPORT ASSY	B,C	1
251	BACR15BA3AD		.....RIVET- (SIZE DETERMINE ON INST)		4
254	NS103191SE02-2		.....NUTPLATE- (V80539) (SPEC BACN10KE3B2CM) (OPT F51747-3-2DL (V15653)) (OPT 104F9213-2-3 (V72962)) (OPT 104F9213-2-3 (V72962))		1
257	NS103194SE02-2		.....NUTPLATE- (V80539) (SPEC BACN10KE3E2CM) (OPT F51751-3-2DL (V15653)) (OPT 104F9216-2-3 (V72962)) (OPT BRFR120C3-2M (V52828))		1
260	315T3305-71		....SUPPORT ASSY	A,D,E ,J, L-P	1
-263	315T3305-72		....SUPPORT ASSY	B,C	1
266	BACR15BA3AD		.....RIVET- (SIZE DETERMINE ON INST)		4

71-11-31

 ILLUSTRATED PARTS LIST  
 01.1 Page 1066H  
 Jul 01/03

**BOEING**  
 COMPONENT  
 MAINTENANCE MANUAL

FIG. & ITEM	PART NO.	AIRLINE PART NUMBER	NOMENCLATURE 1234567	EFF CODE	QTY PER ASSY
01-269	NS103191SE02-2		.....NUTPLATE- (V80539) (SPEC BACN10KE3B2CM) (OPT F51747-3-2DL (V15653)) (OPT 104F9213-2-3 (V72962)) (OPT 104F9213-2-3 (V72962))		1
272	NS103194SE02-2		.....NUTPLATE- (V80539) (SPEC BACN10KE3E2CM) (OPT F51751-3-2DL (V15653)) (OPT 104F9216-2-3 (V72962)) (OPT BRFR120C3-2M (V52828))		1
275	315T3305-67		.....SUPPORT ASSY	A,D,E	1
-278	315T3305-68		....SUPPORT ASSY	J	1
281	BACR15BA3AD		.....RIVET- (SIZE DETERMINE ON INST)	L-P	4
284	NS103191SE02-2		.....NUTPLATE- (V80539) (SPEC BACN10KE3B2CM) (OPT F51747-3-2DL (V15653)) (OPT 104F9213-2-3 (V72962)) (OPT 104F9213-2-3 (V72962))	B,C	1
287	NS103194SE02-2		.....NUTPLATE- (V80539) (SPEC BACN10KE3E2CM) (OPT F51751-3-2DL (V15653)) (OPT 104F9216-2-3 (V72962)) (OPT BRFR120C3-2M (V52828))		1

**71-11-31**

ILLUSTRATED PARTS LIST  
 01.1 Page 1066I  
 Jul 01/03

FIG. & ITEM	PART NO.	AIRLINE PART NUMBER	NOMENCLATURE 1234567	EFF CODE	QTY PER ASSY
01-293	315T3305-63		....SUPPORT ASSY	A,D,E	1
-296	315T3305-64		....SUPPORT ASSY	J, L-P	1
299	BACR15BA3AD		.....RIVET- (SIZE DETERMINE ON INST)	B,C	4
302	NS103191SE02-2		.....NUTPLATE- (V80539) (SPEC BACN10KE3B2CM) (OPT F51747-3-2DL (V15653)) (OPT 104F9213-2-3 (V72962)) (OPT 104F9213-2-3 (V72962))		1
305	NS103194SE02-2		.....NUTPLATE- (V80539) (SPEC BACN10KE3E2CM) (OPT F51751-3-2DL (V15653)) (OPT 104F9216-2-3 (V72962)) (OPT BRFR120C3-2M (V52828))		1
306	315T3305-59		....SUPPORT ASSY	A,D,E	1
-307	315T3305-60		....SUPPORT ASSY	J, L-P	1
308	BACR15BA3AD		.....RIVET- (SIZE DETERMINE ON INST)	B,C	4
309	NS103191SE02-2		.....NUTPLATE- (V80539) (SPEC BACN10KE3B2CM) (OPT F51747-3-2DL (V15653)) (OPT 104F9213-2-3 (V72962)) (OPT 104F9213-2-3 (V72962))		1

71-11-31

 ILLUSTRATED PARTS LIST  
 01.1 Page 1066J  
 Jul 01/03


**BOEING**  
 COMPONENT  
 MAINTENANCE MANUAL

FIG. & ITEM	PART NO.	AIRLINE PART NUMBER	NOMENCLATURE 1234567	EFF CODE	QTY PER ASSY
01-310	NS103194SE02-2		.....NUTPLATE- (V80539) (SPEC BACN10KE3E2CM) (OPT F51751-3-2DL (V15653)) (OPT 104F9216-2-3 (V72962)) (OPT BRFR120C3-2M (V52828))		1
312	315T3307-23		..FAIRING INSTL-UPR BIFURCATION TRACK	A,D,E ,J, L-P	1
-313	315T3307-24		..FAIRING INSTL-UPR BIFURCATION TRACK	B,C	1
314	315T3307-5001		...FAIRING INSTL-(REWORK) (REPLD BY ITEMS 314A, 314B)	A,D,E ,J, L-P	1
-314A	315T3307-5003		...FAIRING INSTL- (REPLS ITEM 314) (REPLD BY ITEM 314B)	A,D,E ,J, L-P	1
-314B	315T3307-5005		...FAIRING INSTL- (REPLS ITEMS 314, 314A)	A,D,E ,J, L-P	1
-315	315T3307-5002		...FAIRING INSTL-(REWORK) (REPLD BY ITEMS 315A, 315B)	B,C	1
-315A	315T3307-5004		...FAIRING INSTL- (REPLS ITEM 315) (REPLD BY ITEM 315B)	B,C	1
-315B	315T3307-5006		...FAIRING INSTL- (REPLS ITEMS 315, 315A)	B,C	1

71-11-31

 ILLUSTRATED PARTS LIST  
 01.1 Page 1066K  
 Jul 01/03

FIG. & ITEM	PART NO.	AIRLINE PART NUMBER	NOMENCLATURE 1234567	EFF CODE	QTY PER ASSY
01-316	BAC15BA3AD		....RIVET- (SIZE DETERMINE ON INST) (USED ON ITEMS 314, 315)		2
317	BRF100C3D		....NUTPLATE- (V52828) (SPEC BACN10KB3CFD) (OPT F51604-3 (V15653)) (OPT 102F9207P3 (V72962)) (OPT F51604-3 (V15653)) (USED ON ITEMS 314, 315)		1
318	BACS40R07D011F		....SHIM		1
319	315T3307-25		....FAIRING ASSY- (USED ON ITEM 314)	A,D,E ,J, L-P	1
-319A	315T3307-43		....FAIRING ASSY- (USED ON ITEM 314A)	A,D,E ,J, L-P	1
-319B	315T3307-49		....FAIRING ASSY- (USED ON ITEM 314B)	A,D,E ,J, L-P	1
-320	315T3307-26		....FAIRING ASSY- (USED ON ITEM 315)	B,C	1
-320A	315T3307-44		....FAIRING ASSY- (USED ON ITEM 315A)	B,C	1
-320B	315T3307-50		....FAIRING ASSY- (USED ON ITEM 315B)	B,C	1
321	BACB30LR2-3		.....BOLT		1

71-11-31

 ILLUSTRATED PARTS LIST  
 01.1 Page 1066L  
 Jul 01/03


**BOEING**  
 COMPONENT  
 MAINTENANCE MANUAL

FIG. & ITEM	PART NO.	AIRLINE PART NUMBER	NOMENCLATURE 1234567	EFF CODE	QTY PER ASSY
01-323	BACB30LR2-2		.....BOLT- (OPT ITEM 323A)		10
-323A	BACB30LH2-2		.....BOLT- (OPT ITEM 323)		10
326	BACR15CE5KE		.....RIVET- (SIZE DETERMINE ON INST)		7
329	315T3307-38		.....STRIP-RUB		1
332	BACR15BA3AD		.....RIVET- (SIZE DETERMINE ON INST)		48
333	BACR15BA3AD		.....RIVET- (SIZE DETERMINE ON INST) (USED ON ITEM 319A, 320A)		2
335	BR2000C3M		.....NUTPLATE- (V52828) (SPEC BACN10JR3CM) (OPT K1001-3BAC (V15653)) (OPT NS103202SE02 (V80539)) (OPT T8089C1032 (V11815)) (OPT VN102D1-02 (V92215)) (OPT 109A9201-3 (V72962))		1
338	NS103191SE02-3		.....NUTPLATE- (V80539) (SPEC BACN10KE3B3CM) (OPT F51747-3-3DL (V15653)) (OPT BRFR220C3-3M (V52828)) (OPT 104F9213-3-3 (V72962))		12

71-11-31

 ILLUSTRATED PARTS LIST  
 01.1 Page 1066M  
 Jul 01/03

FIG. & ITEM	PART NO.	AIRLINE PART NUMBER	NOMENCLATURE 1234567	EFF CODE	QTY PER ASSY
01-341	109F9201M82		.....NUTPLATE- (V72962) (SPEC BACN10JN08CM) (OPT BRFM20C08M (V52828)) (OPT MF1001-08BAC (V15653)) (OPT NS103218SE82 (V80539)) (OPT VN252D82 (V92215)) (OPT 109F9201M82 (V72962)) (OPT T8125C08C (V11815))		11
342	BRF100C3D		.....NUTPLATE- (V52828) (SPEC BACN10KB3CFD) (OPT F51604-3 (V15653)) (OPT 102F9207P3 (V72962)) (OPT F51604-3 (V15653)) (USED ON ITEM 319A, 320A)		1
344	315T3010-3		DELETED		
347	315T3010-4		DELETED		
350	BACN10JC7		DELETED		
353	315T3013-1		DELETED		
356	315T3315-2		DELETED		

# 71-11-31

 ILLUSTRATED PARTS LIST  
 01.1 Page 1066N  
 Jul 01/03

**BOEING**  
 COMPONENT  
 MAINTENANCE MANUAL

FIG. & ITEM	PART NO.	AIRLINE PART NUMBER	NOMENCLATURE 1234567	EFF CODE	QTY PER ASSY
R 01- 359 360 361	VTB04531		DELETED		6
	315T3009-1		DELETED		
	HL11VAZ8-12		..BOLT- (V60516) (SPEC BACB30NW8K12) (OPT B30NW8K12 (V97928)) (OPT HL11VAZ8-12 (V73197)) (OPT HL11VAZ8-12 (V92215)) (OPT HL11VAZ8-12 (V97928)) (OPT L803-8K12 (V06725)) (OPT HL11VAZ8-12 (V0PTK6)) (OPT HL11VAZ8-12 (V56878))		
363	HL79-8		..COLLAR- (V5M902) (SPEC BACC30M8) (OPT HL79-8 (V73197)) (OPT HL79-8 (V92215)) (OPT 66014-8 (V56878)) (OPT HL79-8 (V56878))		6
366	315T3300-1		..BIFURCATION INSTL-UPR (FOR DETAILS SEE FIG. 2)	A,D,E ,J, L-P	1
-369	315T3300-2		..BIFURCATION INSTL-UPR (FOR DETAILS SEE FIG. 2)	B,C	1

**71-11-31**

ILLUSTRATED PARTS LIST  
 01.1 Page 10660  
 Jul 01/03



COMPONENT  
 MAINTENANCE MANUAL

FIG. & ITEM	PART NO.	AIRLINE PART NUMBER	NOMENCLATURE 1234567	EFF CODE	QTY PER ASSY
01-372	BACS40R11B61F		..SHIM		AR
375	NAS623-3-21		..SCREW	A,D,E	1
-375A	NAS623-3-20		..SCREW	J, L-P	1
376	BRH10C3M		..NUT- (V52828) (SPEC BACN10JC3CM) (OPT T6C1032JM (V11815)) (OPT 97E02 (V80539)) (OPT 109LH9075-3W (V72962)) (OPT VN303D02 (V92215)) (OPT NS202101SE02 (V80539)) (OPT H01-3BAC (V15653))	B,C	1
381	NAS623-3-20		..SCREW		1
384	AN960PD10		..WASHER		2
385	BRH10C3M		..NUT- (V52828) (SPEC BACN10JC3CM) (OPT T6C1032JM (V11815)) (OPT 97E02 (V80539)) (OPT 109LH9075-3W (V72962)) (OPT VN303D02 (V92215)) (OPT NS202101SE02 (V80539)) (OPT H01-3BAC (V15653))		1

**71-11-31**

ILLUSTRATED PARTS LIST

01.1 Page 1066P

Jul 01/03

**BOEING**  
 COMPONENT  
 MAINTENANCE MANUAL

FIG. & ITEM	PART NO.	AIRLINE PART NUMBER	NOMENCLATURE 1234567	EFF CODE	QTY PER ASSY
01-387	HL13VAZ6-19		..BOLT- (V56878) (SPEC BACB30NY6K19) (OPT HL13VAZ6-19 (V73197)) (OPT HL13VAZ6-19 (V92215)) (OPT HL13VAZ6-19 (V97928)) (OPT L801-6K19 (V06725)) (OPT HL13VAZ6-19 (V08524)) (OPT HL13V19 (V06725)) (OPT HL13VAZ6-19 (V17446))	A,D,E ,J, L-P	1
-388	HL13VAZ6-18		..BOLT- (V56878) (SPEC BACB30NY6K18) (OPT HL13VAZ6-18 (V73197)) (OPT HL13VAZ6-18 (V92215)) (OPT HL13VAZ6-18 (V97928)) (OPT L801-6K18 (V06725)) (OPT HL13VAZ6-18 (V08524)) (OPT HL13V18 (V06725)) (OPT HL13VAZ6-18 (V17446))	B,C	1

**71-11-31**

ILLUSTRATED PARTS LIST  
 01.1 Page 1066Q  
 Jul 01/03

FIG. & ITEM	PART NO.	AIRLINE PART NUMBER	NOMENCLATURE 1234567	EFF CODE	QTY PER ASSY
01-389	HL13VAZ6-18		..BOLT- (V56878) (SPEC BACB30NY6K18) (OPT HL13VAZ6-18 (V73197)) (OPT HL13VAZ6-18 (V92215)) (OPT HL13VAZ6-18 (V97928)) (OPT L801-6K18 (V06725)) (OPT HL13VAZ6-18 (V08524)) (OPT HL13V18 (V06725)) (OPT HL13VAZ6-18 (V17446))		2
390	HL79-6		..COLLAR- (V5M902) (SPEC BACC30M6) (OPT HL79-6 (V73197)) (OPT HL79-6 (V92215)) (OPT 66014-6 (V56878)) (OPT HL79-6 (V56878))		3
391	HL10VAZ6-19		..BOLT- (V60516) (SPEC BACB30MY6K19) (OPT B30MY6K19 (V97928))		14

# 71-11-31

 ILLUSTRATED PARTS LIST  
 01.1 Page 1066R  
 Jul 01/03


**BOEING**  
 COMPONENT  
 MAINTENANCE MANUAL

FIG. & ITEM	PART NO.	AIRLINE PART NUMBER	NOMENCLATURE 1234567	EFF CODE	QTY PER ASSY
01-392	HL10VAZ6-18		..BOLT- (V60516) (SPEC BACB30MY6K18) (OPT B30MY6K18 (V97928))		9
393	HL10VAZ6-17		..BOLT- (V60516) (SPEC BACB30MY6K17) (OPT B30MY6K17 (V97928))		6
394	HL10VAZ6-16		..BOLT- (V60516) (SPEC BACB30MY6K16) (OPT B30MY6K16 (V97928))		5
395	L8006-15		..BOLT- (V06725) (SPEC BACB30MY6K15) (OPT HL10VAZ6-15 (VOPTK6))		4
396	HL10VAZ6-14		..BOLT- (V60516) (SPEC BACB30MY6K14) (OPT B30MY6K14 (V97928))		2
R 397	HL11VAZ6-13		..BOLT- (V60516) (SPEC BACB30NW6K13) (OPT B30NW6K13 (V97928)) (OPT HL11VAZ6-13 (V73197)) (OPT HL11VAZ6-13 (V92215)) (OPT HL11VAZ6-13 (V97928)) (OPT L803-6K13 (V06725)) (OPT HL11VAZ6-13 (VOPTK6)) (OPT HL11VAZ6-13 (V56878))		2

71-11-31

ILLUSTRATED PARTS LIST

01.1 Page 1066S

Jul 01/03

FIG. & ITEM	PART NO.	AIRLINE PART NUMBER	NOMENCLATURE 1234567	EFF CODE	QTY PER ASSY
R 01-398	HL11VAZ6-12		..BOLT- (V60516) (SPEC BACB30NW6K12) (OPT B30NW6K12 (V97928)) (OPT HL11VAZ6-12 (V73197)) (OPT HL11VAZ6-12 (V92215)) (OPT HL11VAZ6-12 (V97928)) (OPT L803-6K12 (V06725)) (OPT HL11VAZ6-12 (V0PTK6)) (OPT HL11VAZ6-12 (V56878))		2
399	HL79-6		..COLLAR- (V5M902) (SPEC BACC30M6) (OPT HL79-6 (V73197)) (OPT HL79-6 (V92215)) (OPT 66014-6 (V56878)) (OPT HL79-6 (V56878))		16
400	HL82-6APBW		..COLLAR- (V5M902) (SPEC BACC30AG6) (OPT HL82-6APBW (V92215)) (OPT HL82-6APBW (V56878)) (OPT HL82-6APBW (V73197))		28

71-11-31

 ILLUSTRATED PARTS LIST  
 01.1 Page 1066T  
 Jul 01/03


**BOEING**  
 COMPONENT  
 MAINTENANCE MANUAL

FIG. & ITEM	PART NO.	AIRLINE PART NUMBER	NOMENCLATURE 1234567	EFF CODE	QTY PER ASSY
01-401	HL1012AZ6-19		..BOLT- (V97928) (SPEC BACB30NX6K19) (OPT HL12VAZ6-19 (V73197)) (OPT HL12VAZ6-19 (V92215)) (OPT HL12VAZ6-19 (V97928)) (OPT L802-6K19 (V06725)) (OPT HL12VAZ6-19 (V56878)) (OPT HL1012AZ6-19 (V0PTK6)) (OPT HL1012AZ6-19 (V06725)) (OPT HL1012AZ6-19 (V06950)) (OPT HL1012AZ6-19 (V17446)) (OPT HL1012AZ6-19 (V56878)) (OPT HL1012AZ6-19 (V60516)) (OPT HL1012AZ6-19 (V73197))		7

71-11-31

ILLUSTRATED PARTS LIST

01.1 Page 1066U

Jul 01/03

FIG. & ITEM	PART NO.	AIRLINE PART NUMBER	NOMENCLATURE 1234567	EFF CODE	QTY PER ASSY
01-401G	HL1012AZ6-13		..BOLT- (V97928) (SPEC BACB30NX6K13) (OPT HL12VAZ6-13 (V73197)) (OPT HL12VAZ6-13 (V92215)) (OPT HL12VAZ6-13 (V97928)) (OPT L802-6K13 (V06725)) (OPT HL1012AZ6-13 (V0PTK6)) (OPT HL1012AZ6-13 (V06725)) (OPT HL1012AZ6-13 (V06950)) (OPT HL1012AZ6-13 (V17446)) (OPT HL1012AZ6-13 (V56878)) (OPT HL1012AZ6-13 (V60516)) (OPT HL1012AZ6-13 (V73197)) (OPT HL12VAZ6-13 (V56878))		2
402	HL1187DUW6		..COLLAR- (V5M902) (SPEC BACC30X6SW) (OPT HL87DUW6 (V73197)) (OPT HL87DUW6 (V92215)) (OPT HL1187DUW6 (V56878)) (OPT HL1187DUW6 (V92215)) (OPT HL87DUW6 (V56878)) (OPT HL1187DUW6 (V73197))		9

71-11-31

 ILLUSTRATED PARTS LIST  
 01.1 Page 1066V  
 Jul 01/03


**BOEING**  
 COMPONENT  
 MAINTENANCE MANUAL

FIG. & ITEM	PART NO.	AIRLINE PART NUMBER	NOMENCLATURE 1234567	EFF CODE	QTY PER ASSY
01-403	HL1012AZ8-19		..BOLT- (V97928) (SPEC BACB30NX8K19) (OPT HL12VAZ8-19 (V73197)) (OPT HL12VAZ8-19 (V92215)) (OPT HL12VAZ8-19 (V97928)) (OPT L802-8K19 (V06725)) (OPT HL12VAZ8-19 (V56878)) (OPT HL1012AZ8-19 (V73197)) (OPT HL1012AZ8-19 (V60516)) (OPT HL1012AZ8-19 (V56878)) (OPT HL1012AZ8-19 (V17446)) (OPT HL1012AZ8-19 (V06950)) (OPT HL1012AZ8-19 (V06725)) (OPT HL1012AZ8-19 (V0PTK6))		4
404	HL1187DUW8		..COLLAR- (V5M902) (SPEC BACC30X8SW) (OPT HL87DUW8 (V73197)) (OPT HL87DUW8 (V92215)) (OPT HL1187DUW8 (V56878)) (OPT HL1187DUW8 (V92215)) (OPT HL87DUW8 (V56878)) (OPT HL1187DUW8 (V73197))		4

71-11-31

ILLUSTRATED PARTS LIST

01.1 Page 1066W

Jul 01/03



FIG. & ITEM	PART NO.	AIRLINE PART NUMBER	NOMENCLATURE 1234567	EFF CODE	QTY PER ASSY
01-405	HL10VAZ5-22		..BOLT- (V60516) (SPEC BACB30MY5K22) (OPT B30MY5K22 (V97928))		2
406	HL10VAZ5-21		..BOLT- (V60516) (SPEC BACB30MY5K21) (OPT B30MY5K21 (V97928))		1
407	HL10VAZ5-18		..BOLT- (V60516) (SPEC BACB30MY5K18) (OPT B30MY5K18 (V97928))		21
408	HL10VAZ5-17		..BOLT- (V60516) (SPEC BACB30MY5K17) (OPT B30MY5K17 (V97928))		17
409	HL10VAZ5-16		..BOLT- (V60516) (SPEC BACB30MY5K16) (OPT B30MY5K16 (V97928))		1
410	HL10VAZ5-15		..BOLT- (V60516) (SPEC BACB30MY5K15) (OPT B30MY5K15 (V97928))		2

# 71-11-31

 ILLUSTRATED PARTS LIST  
 01.1 Page 1066X  
 Jul 01/03


**BOEING**  
 COMPONENT  
 MAINTENANCE MANUAL

FIG. & ITEM	PART NO.	AIRLINE PART NUMBER	NOMENCLATURE 1234567	EFF CODE	QTY PER ASSY
01-411	HL10VAZ5-14		..BOLT- (V60516) (SPEC BACB30MY5K14) (OPT B30MY5K14 (V97928))		2
412	HL10VAZ5-13		..BOLT- (V60516) (SPEC BACB30MY5K13) (OPT B30MY5K13 (V97928))		2
413	HL10VAZ5-12		..BOLT- (V60516) (SPEC BACB30MY5K12) (OPT B30MY5K12 (V97928))		2
414	HL10VAZ5-11		..BOLT- (V60516) (SPEC BACB30MY5K11) (OPT B30MY5K11 (V97928))		2
415	HL10VAZ5-10		..BOLT- (V60516) (SPEC BACB30MY5K10) (OPT B30MY5K10 (V97928))		1
416	HL10VAZ5-5		..BOLT- (V60516) (SPEC BACB30MY5K5) (OPT B30MY5K5 (V97928))		1

71-11-31

 ILLUSTRATED PARTS LIST  
 01.1 Page 1066Y  
 Jul 01/03

FIG. & ITEM	PART NO.	AIRLINE PART NUMBER	NOMENCLATURE 1234567	EFF CODE	QTY PER ASSY
01-417	HL10VAZ5-3		..BOLT- (V60516) (SPEC BACB30MY5K3) (OPT B30MY5K3 (V97928))		5
418	HL10VAZ5-2		..BOLT- (V60516) (SPEC BACB30MY5K2) (OPT B30MY5K2 (V97928))		4
419	HL79-5		..COLLAR- (V5M902) (SPEC BACC30M5) (OPT HL70-5 (V73197)) (OPT HL70-5 (V92215)) (OPT 66014-5 (V56878)) (OPT HL70-5 (V56878))		49
420	HL82-5APBW		..COLLAR- (V73197) (SPEC BACC30AG5) (OPT HL82-5APBW (V56878))		14
421	NAS1398CW6-3		..RIVET		1
422	NAS1398CW5-3		..RIVET		1
423	BACR15CE6KE		..RIVET- (SIZE DETERMINE ON INST)		1
424	BACR15CE5KE		..RIVET- (SIZE DETERMINE ON INST)		1
425	315T3007-3		..FAIRING-FILLET (USED ON ITEMS 20A, 35A)	A,D,E ,J,M, P	1
-425A	315T3007-1		..FAIRING-FILLET (USED ON ITEMS 20, 35)	A,D,L ,N	1
-426	315T3007-4		..FAIRING-FILLET (USED ON ITEMS 25A, 25B, 25C, 25D, 30A, 30B, 30D, 30F)	B,C	1

71-11-31

 ILLUSTRATED PARTS LIST  
 01.1 Page 1066Z  
 Jul 01/03

**BOEING**  
 COMPONENT  
 MAINTENANCE MANUAL

FIG. & ITEM	PART NO.	AIRLINE PART NUMBER	NOMENCLATURE 1234567	EFF CODE	QTY PER ASSY
01-426A	315T3007-2		..FAIRING-FILLET (USED ON ITEMS 25, 30)	B,C	1
427	HL1012AZ6-14		..BOLT- (V97928) (SPEC BACB30NX6K14) (OPT HL12VAZ6-14 (V73197)) (OPT HL12VAZ6-14 (V92215)) (OPT HL12VAZ6-14 (V97928)) (OPT L802-6K14 (V06725)) (OPT HL1012AZ6-14 (V0PTK6)) (OPT HL1012AZ6-14 (V06725)) (OPT HL1012AZ6-14 (V06950)) (OPT HL1012AZ6-14 (V17446)) (OPT HL1012AZ6-14 (V56878)) (OPT HL1012AZ6-14 (V60516)) (OPT HL1012AZ6-14 (V73197)) (OPT HL12VAZ6-14 (V56878))		1

**71-11-31**

ILLUSTRATED PARTS LIST  
 01.1 Page 1067  
 Jul 01/03

FIG. & ITEM	PART NO.	AIRLINE PART NUMBER	NOMENCLATURE 1234567	EFF CODE	QTY PER ASSY
01-428	HL1012AZ6-13		..BOLT- (V97928) (SPEC BACB30NX6K13) (OPT HL12VAZ6-13 (V73197)) (OPT HL12VAZ6-13 (V92215)) (OPT HL12VAZ6-13 (V97928)) (OPT L802-6K13 (V06725)) (OPT HL1012AZ6-13 (V0PTK6)) (OPT HL1012AZ6-13 (V06725)) (OPT HL1012AZ6-13 (V06950)) (OPT HL1012AZ6-13 (V17446)) (OPT HL1012AZ6-13 (V56878)) (OPT HL1012AZ6-13 (V60516)) (OPT HL1012AZ6-13 (V73197)) (OPT HL12VAZ6-13 (V56878))		2
429	HL82-6APBW		..COLLAR- (V5M902) (SPEC BACC30AG6) (OPT HL82-6APBW (V92215)) (OPT HL82-6APBW (V56878)) (OPT HL82-6APBW (V73197))		3
430	315T3318-1		DELETED		
430A	315T3318-101		..SEAL INSTL-UPR BIFURCATION (USED ON ITEMS 20K, 20L, 20M, 35R, 35S, 35T) (FOR DETAILS SEE FIG. 8)	A,D,E J, L-P	1
-430B	315T3318-127		DELETED		
-430C	315T3318-133		..SEAL INSTL-UPR BIFURCATION	M,P	1

71-11-31

 ILLUSTRATED PARTS LIST  
 01.1 Page 1068  
 Jul 01/03


**BOEING**  
 COMPONENT  
 MAINTENANCE MANUAL

FIG. & ITEM	PART NO.	AIRLINE PART NUMBER	NOMENCLATURE 1234567	EFF CODE	QTY PER ASSY
01-					
-430G	315T3318-5005		DELETED		
-430H	315T3318-5007		...SEAL INSTL- (LIMITED) (USED ON ITEM 430C) (FOR DETAILS SEE FIG. 8)	M,P	1
-430J	315T3318-5009		...SEAL INSTL- (LIMITED) (USED ON ITEM 430C) (FOR DETAILS SEE FIG. 8)	M,P	1
-430K	315T3318-5011		...SEAL INSTL- (LIMITED) (USED ON ITEM 430C) (FOR DETAILS SEE FIG. 8)	M,P	1
-430L	315T3318-5013		...SEAL INSTL- (LIMITED) (USED ON ITEM 430C) (FOR DETAILS SEE FIG. 8)	M,P	1
-430M	315T3318-5015		...SEAL INSTL- (LIMITED) (USED ON ITEM 430C) (FOR DETAILS SEE FIG. 8)	M,P	1
-431	315T3318-2		DELETED		
-431A	315T3318-102		..SEAL INSTL-UPR BIFURCATION (USED ON ITEMS 25, 25A, 25B, 25C, 25D, 25K, 30, 30A, 30B, 30D, 30F, 30H) (FOR DETAILS SEE FIG. 8)	B,C	1
-431B	315T3318-128		DELETED		
-431C	315T3318-134		..SEAL INSTL-UPR BIFURCATION (USED ON ITEMS 25J, 30H)	B,C	1
-431G	315T3318-5006		DELETED		
-431H	315T3318-5008		...SEAL INSTL- (LIMITED) (USED ON ITEM 431C) (FOR DETAILS SEE FIG. 8)	B,C	1
-431J	315T3318-5010		...SEAL INSTL- (LIMITED) (USED ON ITEM 431C) (FOR DETAILS SEE FIG. 8)	B,C	1
-431K	315T3318-5014		...SEAL INSTL- (LIMITED) (USED ON ITEM 431C) (FOR DETAILS SEE FIG. 8)	B,C	1

71-11-31

 ILLUSTRATED PARTS LIST  
 01.1 Page 1068A  
 Jul 01/03

FIG. & ITEM	PART NO.	AIRLINE PART NUMBER	NOMENCLATURE 1234567	EFF CODE	QTY PER ASSY
01-432	315T3128-1		..SYSTEM INSTL-ZONE VENTILATION	A,D,E ,J	1
-432A	315T3128-14		..SYSTEM INSTL-ZONE VENTILATION (USED ON ITEMS 20K, 20L, 20M, 23, 28, 35R, 35S, 35T)	L-P	1
-432B	315T3128-16		..SYSTEM INSTL-ZONE VENTILATION (REWORK) (USED ON ITEMS 20T, 35V)	M,P	1
433	BACS12CK4U8		...SCREW	A,D,E ,J L-P	1
435	BRH10C4M		...NUT- (V52828) (SPEC BACN10JC4CM) (OPT T6C428JM (V11815)) (OPT 97E48 (V80539)) (OPT 109LH9075-4W (V72962)) (OPT VN303D048 (V92215)) (OPT 9NS202101SE048 (VA8053)) (OPT H01-4BAC (V15653))	A,D,E ,J L-P	1
R 438	HL11VAZ6-19		...BOLT- (V60516) (SPEC BACB30NW6K19) (OPT B30NW6K19 (V97928)) (OPT HL11VAZ6-19 (V73197)) (OPT HL11VAZ6-19 (V92215)) (OPT HL11VAZ6-19 (V97928)) (OPT L803-6K19 (V06725)) (OPT HL11VAZ6-19 (VOPTK6)) (OPT HL11VAZ6-19 (V56878))	A,D,E ,J L-P	1

71-11-31

 ILLUSTRATED PARTS LIST  
 01.1 Page 1068B  
 Jul 01/03


**BOEING**  
 COMPONENT  
 MAINTENANCE MANUAL

FIG. & ITEM	PART NO.	AIRLINE PART NUMBER	NOMENCLATURE 1234567	EFF CODE	QTY PER ASSY
01-441	HL79-6		...COLLAR- (V5M902) (SPEC BACC30M6) (OPT HL79-6 (V73197)) (OPT HL79-6 (V92215)) (OPT 66014-6 (V56878)) (OPT HL79-6 (V56878))	A,D,E ,J, L-P	1
444	BACJ40A21-8		...JUMPER ASSY	A,D,E ,J, L-P	1
447	14J29300		...CLAMP- (V5T400) (SPEC BACC10GY300) (OPT 4385AF300 (V94581)) (OPT PDVC1137300 (V14242)) (OPT NM102701300 (V8W928))	A,D,E ,J, L-P	2
450	AN960C10L		...WASHER	A,D,E ,J, L-P	4
453	NAS1716C48M		...CLAMP ASSY	A,D,E ,J, L-P	1
456	NAS1716C40M		...CLAMP ASSY	A,D,E ,J, L-P	1
459	BACS40R6W38		...SHIM	A,D,E ,J, L-P	2
462	BACS40R6W33		...SHIM	A,D,E ,J, L-P	2
465	BACS12CK3U8		...SCREW	A,D,E ,J, L-P	5

71-11-31

ILLUSTRATED PARTS LIST

01.1 Page 1068C

Jul 01/03



FIG. & ITEM	PART NO.	AIRLINE PART NUMBER	NOMENCLATURE 1234567	EFF CODE	QTY PER ASSY
01-468	BRH10C3M		...NUT- (V52828) (SPEC BACN10JC3CM) (OPT T6C1032JM (V11815)) (OPT 97E02 (V80539)) (OPT 109LH9075-3W (V72962)) (OPT VN303D02 (V92215)) (OPT NS202101SE02 (V80539)) (OPT H01-3BAC (V15653))	A,D,E ,J, L-P	1
471 471A	BACC10EP40 BACC10EP38		DELETED ...CLAMP	A,D,E ,J, L-P	AR
473	BACS12CK3U8		...SCREW	A,D,E ,J, L-P	7
476	NAS6703U4		...BOLT	A,D,E ,J, L-P	2
479	BRH10C3M		...NUT- (V52828) (SPEC BACN10JC3CM) (OPT T6C1032JM (V11815)) (OPT 97E02 (V80539)) (OPT 109LH9075-3W (V72962)) (OPT VN303D02 (V92215)) (OPT NS202101SE02 (V80539)) (OPT H01-3BAC (V15653))	A,D,E ,J, L-P	6
481 485 487	JP0030-4 JP0030-6 BACC10GT2-06		DELETED DELETED ...CLAMPSHELL- (V83930) (SPEC BACC10GT2-06)	A,D,E ,J, L-P	15

71-11-31

 ILLUSTRATED PARTS LIST  
 01.1 Page 1068D  
 Jul 01/03


**BOEING**  
 COMPONENT  
 MAINTENANCE MANUAL

FIG. & ITEM	PART NO.	AIRLINE PART NUMBER	NOMENCLATURE 1234567	EFF CODE	QTY PER ASSY
01- 490 490A	315T3128-9 315T3128-11		DELETED ...TUBE ASSY- (MFD FROM TUBING CRES 21-6-9 BMS7-185 F-25.01 0.375IN OD 0.020IN WALL 31.5IN LG)	A,D,E ,J, L-P	1
-492	DB0S13BX06H		....SLEEVE- (V14798) (SPEC BACS13BX06H) (OPT 2-02903-06H (V11328)) (OPT 35235V06 (V08199)) (OPT AP2097-06H (V01673)) (OPT AFP175V06 (V30974))	A,D,E ,J, L-P	1
-492A	MS21921-6J		....NUT	A,D,E ,J, L-P	1
-492B	DB0U24AB6H		...UNION- (V14798) (SPEC BACU24AB6H) (OPT 2-01027-6H (V11328)) (OPT 31875-6H (V14397)) (OPT 4671097H6 (V50948)) (OPT 35056V06 (V08199)) (OPT AP1004H06 (V01673)) (OPT AFP941H6 (V30974))	A,D,E ,J, L-P	1

71-11-31

 ILLUSTRATED PARTS LIST  
 01.1 Page 1068E  
 Jul 01/03

FIG. & ITEM	PART NO.	AIRLINE PART NUMBER	NOMENCLATURE 1234567	EFF CODE	QTY PER ASSY
01-495	315T3128-3		...TUBE ASSY- (MFD FROM TUBING CRES 21-6-9 BMS7-185 F-25.01 0.375IN OD 0.028IN WALL 55.0IN LG)	A,D,E ,J, L-P	1
-497	DB0S13BX06H		....SLEEVE- (V14798) (SPEC BACS13BX06H) (OPT 2-02903-06H (V11328)) (OPT 35235V06 (V08199)) (OPT AP2097-06H (V01673)) (OPT AFP175V06 (V30974))	A,D,E ,J, L-P	2
-497A	MS21921-6J		....NUT	A,D,E ,J, L-P	2
498	AN924-6J		...NUT	A,D,E ,J, L-P	1
499	AN960C916		...WASHER	A,D,E ,J, L-P	1
499G	AFP238-0604J		...UNION- (V30974) (SPEC BACU24AA0604J) (OPT ER832-0604J (V50948)) (OPT LER832-0604J (V11328)) (OPT 2-010890604J (V11328)) (OPT APX832-0604J (V01673)) (OPT DBOU24AA0604J (V61498)) (OPT FER1579-0604J (V14397)) (OPT US2113-0604J (V50808)) (OPT APX832J0604 (V01673))	A,D,E ,J, L-P	1

71-11-31

 ILLUSTRATED PARTS LIST  
 01.1 Page 1068F  
 Jul 01/03


**BOEING**  
 COMPONENT  
 MAINTENANCE MANUAL

FIG. & ITEM	PART NO.	AIRLINE PART NUMBER	NOMENCLATURE 1234567	EFF CODE	QTY PER ASSY
01-500	AS161E0150AAN		...HOSE- (V00624) (SPEC BACH5M0150AAN) (OPT B307BBB0150CN (V03925)) (OPT R8918M0150AAN (V06851)) (OPT 95850M0150AAN (V78570)) (OPT R89180150AAN (V06851)) (OPT R89180150AAN (V12157)) (OPT R89180150AAN (V50599)) (OPT AS118E0150AAN (V00624))	A,D,E ,J, L-P	1
505	315T3129-1		DELETED		
505A	315T3129-2		...GROMMET	A,D,E ,J, L-P	1
510	315T3120-10		DELETED		
510A	315T3120-12		DELETED		
510B	315T3120-15		...DUCT ASSY- (USED ON ITEM 432A) (PRE SB 767-75-0004)	A,D,E ,J, L-P	1
-510C	315T3120-16		...DUCT ASSY-(REWORK) (OPT ITEM 510D) (USED ON ITEM 432B)	M,P	1
-510D	315T3120-17		...DUCT ASSY- (OPT ITEM 510C) (USED ON ITEM 432B)	M,P	1
-510E	315T3120-17		...DUCT ASSY- (USED ON ITEM 432A) (POST SB 767-75-0004)	A,D,E ,J, L-P	1

71-11-31

 ILLUSTRATED PARTS LIST  
 01.1 Page 1068G  
 Jul 01/03

FIG. & ITEM	PART NO.	AIRLINE PART NUMBER	NOMENCLATURE 1234567	EFF CODE	QTY PER ASSY
01- 515 515A	2790605-101 2790605-103		DELETED ...VALVE-SHUTOFF (V92003) (SPEC S315T106-2)	A,D,E ,J	1
-515B -515C	S315T106-3 5830205-101		DELETED ...VALVE-SHUTOFF (V92003) (SPEC S315T106-3) (OPT 5830205-102 (V92003))	L-P	1
520	HL1012AZ6-3		...BOLT- (V97928) (SPEC BACB30NX6K3) (OPT HL12VAZ6-3 (V73197)) (OPT HL12VAZ6-3 (V92215)) (OPT HL12VAZ6-3 (V97928)) (OPT L802-6K3 (V06725)) (OPT HL12VAZ6-3 (V56878)) (OPT HL1012AZ6-3 (V0PTK6)) (OPT HL1012AZ6-3 (V06725)) (OPT HL1012AZ6-3 (V06950)) (OPT HL1012AZ6-3 (V17446)) (OPT HL1012AZ6-3 (V56878)) (OPT HL1012AZ6-3 (V60516)) (OPT HL1012AZ6-3 (V73197))	A,D,E ,J, L-P	3

71-11-31

 ILLUSTRATED PARTS LIST  
 01.1 Page 1068H  
 Jul 01/03

**BOEING**  
 COMPONENT  
 MAINTENANCE MANUAL

FIG. & ITEM	PART NO.	AIRLINE PART NUMBER	NOMENCLATURE 1234567	EFF CODE	QTY PER ASSY
01-522	BACB30FN6A19K		...BOLT	A,D,E ,J L-P	7
523A	HL97DU6		...COLLAR- (V73197) (SPEC BACC30AB6S) (OPT HL97DU6 (V92215)) (OPT HL97DU6 (V56878))	A,D,E ,J L-P	7
524	315T3127-7		...INLET ASSY- (REPLD BY ITEM 524B)	A,D,E ,J	1
524A	315T0127-12		DELETED		
524B	315T3127-12		...INLET ASSY- (REPLS ITEM 524)	A,D,E ,J	1
-524C	315T3127-7		...INLET ASSY- (OPT ITEM 524D)	L-P	1
-524D	315T3127-12		...INLET ASSY- (OPT ITEM 524C)	L-P	1
525	BACC30X6		DELETED		
R 530	HL11VAZ6-19		...BOLT- (V60516) (SPEC BACB30NW6K19) (OPT B30NW6K19 (V97928)) (OPT HL11VAZ6-19 (V73197)) (OPT HL11VAZ6-19 (V92215)) (OPT HL11VAZ6-19 (V97928)) (OPT L803-6K19 (V06725)) (OPT HL11VAZ6-19 (V0PTK6)) (OPT HL11VAZ6-19 (V56878))	A,D,E ,J L-P	3

**71-11-31**

ILLUSTRATED PARTS LIST  
 01.1 Page 1068I  
 Jul 01/03

FIG. & ITEM	PART NO.	AIRLINE PART NUMBER	NOMENCLATURE 1234567	EFF CODE	QTY PER ASSY
01-533	BACW10BN6SP		...WASHER	A,D,E ,J, L-P	3
536	HL79-6		...COLLAR- (V5M902) (SPEC BACC30M6) (OPT HL79-6 (V73197)) (OPT HL79-6 (V92215)) (OPT 66014-6 (V56878)) (OPT HL79-6 (V56878))	A,D,E ,J, L-P	3
540	315T3130-2		...BRACKET ASSY	A,D,E ,J, L-P	1
545	315T3130-12		...BRACKET ASSY	A,D,E ,J, L-P	1
550	BACR15CE3M		....RIVET- (SIZE DETERMINE ON INST)	A,D,E ,J, L-P	4
555	BRM100C3M		....NUTPLATE- (V52828) (SPEC BACN10JP3BCM) (OPT MK2001-3BAC (V15653)) (OPT NS103198SE02 (V80539)) (OPT T8081C1032 (V11815)) (OPT VN201D1-02 (V92215)) (OPT 109A9207M3 (V72962))	A,D,E ,J, L-P	2

71-11-31

ILLUSTRATED PARTS LIST

01.1 Page 1068J

Jul 01/03


**BOEING**  
 COMPONENT  
 MAINTENANCE MANUAL

FIG. & ITEM	PART NO.	AIRLINE PART NUMBER	NOMENCLATURE 1234567	EFF CODE	QTY PER ASSY
01-560	315T3130-7		....BRACKET- (USED ON ITEM 540)	A,D,E ,J, L-P	1
562	315T3130-11		....BRACKET- (USED ON ITEM 545)	A,D,E ,J, L-P	1
565	315T3202-73		..BOX INSTL-COWL REVERSER TORQUE (FOR DETAILS SEE FIG. 3)	A,D,E ,J, L-P	1
-570	315T3202-74		..BOX INSTL-COWL REVERSER TORQUE (FOR DETAILS SEE FIG. 3)	B,C	1
575	332T3074-1		..TUBE INSTL-DRAIN	B,C	1
580	BACS12CK3-8		DELETED		
580A	BACS12CK3-12		DELETED		
580B	HL10VAZ6-24		...BOLT- (V60516) (SPEC BACB30MY6K24) (OPT B30MY6K24 (V97928))	B,C	1
585	BACW10BN3SP		...WASHER	B,C	1
590	BRH10C3M		...NUT- (V52828) (SPEC BACN10JC3CM) (OPT T6C1032JM (V11815)) (OPT 97E02 (V80539)) (OPT 109LH9075-3W (V72962)) (OPT VN303D02 (V92215)) (OPT NS202101SE02 (V80539)) (OPT H01-3BAC (V15653))	B,C	1

71-11-31

 ILLUSTRATED PARTS LIST  
 01.1 Page 1068K  
 Jul 01/03



FIG. & ITEM	PART NO.	AIRLINE PART NUMBER	NOMENCLATURE 1234567	EFF CODE	QTY PER ASSY
01-595	JM44LC13WS6R		...CLAMP- (V22175) (SPEC BACC10GE6) (OPT S369WH6 (V18076)) (OPT TA12C32WS6 (V84971)) (OPT 509S6 (V83930))	B,C	1
597	NAS42DD6-13		DELETED		
597A	NAS42DD6-19		...SPACER	B,C	1
600	S258T16		...CLAMP- (V18076) (SPEC BACC10DW16S) (OPT TA4C44S16T (V84971)) (OPT 475CS16 (V83930)) (OPT 8084C16T (V72285))	B,C	1
605	BACS12CK3-24		...BOLT	B,C	2
610	BACW10BN3SP		...WASHER	B,C	2
615	BACS18AN16		...SPACER- (V07073) (SPEC BACS18AN16) (OPT BACS18AN16 (V15805)) (OPT BACS18AN16 (V99648))	B,C	1

# 71-11-31

 ILLUSTRATED PARTS LIST  
 01.1 Page 1068L  
 Jul 01/03



**BOEING**  
 COMPONENT  
 MAINTENANCE MANUAL

FIG. & ITEM	PART NO.	AIRLINE PART NUMBER	NOMENCLATURE 1234567	EFF CODE	QTY PER ASSY
01-620	BRH10C3M		...NUT- (V52828) (SPEC BACN10JC3CM) (OPT T6C1032JM (V11815)) (OPT 97E02 (V80539)) (OPT 109LH9075-3W (V72962)) (OPT VN303D02 (V92215)) (OPT NS202101SE02 (V80539)) (OPT H01-3BAC (V15653))	B,C	2
625	JM44SC17S16R		...CLAMP- (V22175) (SPEC BACC10GF16H) (OPT S386H16 (V18076)) (OPT TA12C34S16 (V84971)) (OPT 512S16 (V83930))	B,C	1
630	BACS12CK3-8		...SCREW	B,C	4
632	BACW10BN3SP		...WASHER	B,C	1
635	AN960C10L		...WASHER	B,C	3
640	BRH10C3M		...NUT- (V52828) (SPEC BACN10JC3CM) (OPT T6C1032JM (V11815)) (OPT 97E02 (V80539)) (OPT 109LH9075-3W (V72962)) (OPT VN303D02 (V92215)) (OPT NS202101SE02 (V80539)) (OPT H01-3BAC (V15653))	B,C	4
645	NAS514P1032-8P		...SCREW	B,C	5
651	NAS620C10L		...WASHER	B,C	5

**71-11-31**

ILLUSTRATED PARTS LIST  
 01.1 Page 1068M  
 Jul 01/03

FIG. & ITEM	PART NO.	AIRLINE PART NUMBER	NOMENCLATURE 1234567	EFF CODE	QTY PER ASSY
01-652	CR59083		...NUT- (V62554) (SPEC BACN10HR3CS) (OPT H39953-3 (V15653)) (OPT SL7059C1032 (V11815)) (OPT 109LH9031-3 (V72962)) (OPT 67832AS1032 (V56878)) (OPT BMN5024CPD3-3 (V08524)) (OPT BH00303-3 (V27238)) (OPT BMN10HRCPD3-3 (V97928)) (OPT BH003033 (V27238)) (OPT BMN5024CPD33 (V97928)) (OPT SL705093 (V11815)) (OPT 109LH90313 (V72962)) (OPT 67832AS3 (V56878))	B,C	5
653	D4848-1		...SEAL- (V75345) (SPEC 60B90602-1)	B,C	1
654	AP1008-06JL		...CAP- (V01673) (SPEC BACC14AD06JL) (OPT DBOC14AD6JL (V14798)) (OPT FER22661-06JL (V14397)) (OPT 2-02813-04JL (V11328)) (OPT 4690009-06JL (V50948)) (OPT AFP241-06JL (V30974)) (OPT US2103-06JL (V50808))	B,C	1

# 71-11-31

 ILLUSTRATED PARTS LIST  
 01.1 Page 1068N  
 Jul 01/03


**BOEING**  
 COMPONENT  
 MAINTENANCE MANUAL

FIG. & ITEM	PART NO.	AIRLINE PART NUMBER	NOMENCLATURE 1234567	EFF CODE	QTY PER ASSY
01-					
655	332T3071-1		DELETED		
655A	332T3071-22		...TUBE ASSY	B,C	1
656	NAS1398CW5-3		..RIVET		1
657	NAS1398CW5-2		..RIVET		1
658	BACR15FT5KE5		..RIVET		2
659	BACR15FT5KE2		..RIVET		23
660	BACR15CE6KE		..RIVET-		1
			(SIZE DETERMINE ON INST)		
661	BACR15CE5KE		..RIVET-		6
			(SIZE DETERMINE ON INST)		
662	BACR15BB5AD2		..RIVET		1
663	HL10VAZ5-17		..BOLT-		29
			(V60516)		
			(SPEC BACB30MY5K17)		
			(OPT B30MY5K17		
			(V97928))		
664	HL10VAZ5-4		..BOLT-		3
			(V60516)		
			(SPEC BACB30MY5K4)		
			(OPT B30MY5K4		
			(V97928))		
665	HL10VAZ5-3		..BOLT-		3
			(V60516)		
			(SPEC BACB30MY5K3)		
			(OPT B30MY5K3		
			(V97928))		
666	HL79-5		..COLLAR-		33
			(V5M902)		
			(SPEC BACC30M5)		
			(OPT HL70-5		
			(V73197))		
			(OPT HL70-5		
			(V92215))		
			(OPT 66014-5		
			(V56878))		
			(OPT HL70-5		
			(V56878))		

71-11-31

 ILLUSTRATED PARTS LIST  
 01.1 Page 10680  
 Jul 01/03

FIG. & ITEM	PART NO.	AIRLINE PART NUMBER	NOMENCLATURE 1234567	EFF CODE	QTY PER ASSY
01-666C	BRH10C08M		..NUT- (V52828) (SPEC BACN10JC08CM) (OPT T6C832JM (V11815)) (OPT 97E82 (V80539)) (OPT 109LH9075-82W (V72962)) (OPT VN303D82 (V92215)) (OPT NS202101SE82 (V80539)) (OPT H01-08BAC (V15653))		2
666G	HL10VAZ6-20		..BOLT- (V60516) (SPEC BACB30MY6K20) (OPT B30MY6K20 (V97928))		2
666M	HL79-6		..COLLAR- (V5M902) (SPEC BACC30M6) (OPT HL79-6 (V73197)) (OPT HL79-6 (V92215)) (OPT 66014-6 (V56878)) (OPT HL79-6 (V56878))		2
667	315T3008-1		..FAIRING-FILLET	A,D,E ,J, L-P B,C	1
-668	315T3008-2		..FAIRING-FILLET		1
669	NAS1398CW5-3		..RIVET		1
670	BACR15BB5AD3		..RIVET		1
671	BACR15CE6KE		..RIVET- (SIZE DETERMINE ON INST)		8
672	HL10VAZ6-21		..BOLT- (V60516) (SPEC BACB30MY6K21) (OPT B30MY6K21 (V97928))		1

71-11-31

ILLUSTRATED PARTS LIST

01.1 Page 1068P

Jul 01/03


**BOEING**  
 COMPONENT  
 MAINTENANCE MANUAL

FIG. & ITEM	PART NO.	AIRLINE PART NUMBER	NOMENCLATURE 1234567	EFF CODE	QTY PER ASSY
01-673	HL10VAZ6-20		..BOLT- (V60516) (SPEC BACB30MY6K20) (OPT B30MY6K20 (V97928))		9
674	HL10VAZ6-18		..BOLT- (V60516) (SPEC BACB30MY6K18) (OPT B30MY6K18 (V97928))		20
675	HL13VAZ6-21		..BOLT- (V56878) (SPEC BACB30NY6K21) (OPT HL13VAZ6-21 (V73197)) (OPT HL13VAZ6-21 (V92215)) (OPT HL13VAZ6-21 (V97928)) (OPT L801-6K21 (V06725)) (OPT HL13VAZ6-21 (V08524)) (OPT HL13V21 (V06725)) (OPT HL13VAZ6-21 (V17446))		1
676	HL79-6		..COLLAR- (V5M902) (SPEC BACC30M6) (OPT HL79-6 (V73197)) (OPT HL79-6 (V92215)) (OPT 66014-6 (V56878)) (OPT HL79-6 (V56878))		31

71-11-31

ILLUSTRATED PARTS LIST

01.1 Page 1068Q

Jul 01/03



COMPONENT  
MAINTENANCE MANUAL

FIG. & ITEM	PART NO.	AIRLINE PART NUMBER	NOMENCLATURE 1234567	EFF CODE	QTY PER ASSY
01-677	HL1012AZ8-10		..BOLT- (VOPTK6) (SPEC BACB30NX8K10) (OPT HL12VAZ8-10 (V73197)) (OPT HL12VAZ8-10 (V92215)) (OPT HL12VAZ8-10 (V97928)) (OPT L802-8K10 (V06725)) (OPT HL12VAZ8-10 (V56878)) (OPT HL1012AZ8-10 (V06725)) (OPT HL1012AZ8-10 (V06950)) (OPT HL1012AZ8-10 (V17446)) (OPT HL1012AZ8-10 (V56878)) (OPT HL1012AZ8-10 (V60516)) (OPT HL1012AZ8-10 (V73197)) (OPT HL1012AZ8-10 (V97928))		4
678	HL1187DUW8		..COLLAR- (V5M902) (SPEC BACC30X8SW) (OPT HL87DUW8 (V73197)) (OPT HL87DUW8 (V92215)) (OPT HL1187DUW8 (V56878)) (OPT HL1187DUW8 (V92215)) (OPT HL87DUW8 (V56878)) (OPT HL1187DUW8 (V73197))		4

71-11-31

 **BOEING**  
 COMPONENT  
 MAINTENANCE MANUAL

FIG. & ITEM	PART NO.	AIRLINE PART NUMBER	NOMENCLATURE 1234567	EFF CODE	QTY PER ASSY
01-679	HL1012AZ6-10		..BOLT- (V97928) (SPEC BACB30NX6K10) (OPT HL12VAZ6-10 (V73197)) (OPT HL12VAZ6-10 (V92215)) (OPT HL12VAZ6-10 (V97928)) (OPT L802-6K10 (V06725)) (OPT HL12VAZ6-10 (V56878)) (OPT HL1012AZ6-10 (V0PTK6)) (OPT HL1012AZ6-10 (V06725)) (OPT HL1012AZ6-10 (V06950)) (OPT HL1012AZ6-10 (V17446)) (OPT HL1012AZ6-10 (V56878)) (OPT HL1012AZ6-10 (V60516)) (OPT HL1012AZ6-10 (V73197))		2
680	HL1187DUW6		..COLLAR- (V5M902) (SPEC BACC30X6SW) (OPT HL87DUW6 (V73197)) (OPT HL87DUW6 (V92215)) (OPT HL1187DUW6 (V56878)) (OPT HL1187DUW6 (V92215)) (OPT HL87DUW6 (V56878)) (OPT HL1187DUW6 (V73197))		2

**71-11-31**

ILLUSTRATED PARTS LIST  
 01.1 Page 1068S  
 Jul 01/03



FIG. & ITEM	PART NO.	AIRLINE PART NUMBER	NOMENCLATURE 1234567	EFF CODE	QTY PER ASSY
01-681	HL13VAZ6-10		..BOLT- (V56878) (SPEC BACB30NY6K10) (OPT HL13VAZ6-10 (V73197)) (OPT HL13VAZ6-10 (V92215)) (OPT HL13VAZ6-10 (V97928)) (OPT L801-6K10 (V06725)) (OPT HL13VAZ6-10 (V08524)) (OPT HL13V10 (V06725)) (OPT HL13VAZ6-10 (V17446))		1
682	HL13VAZ6-9		..BOLT- (V56878) (SPEC BACB30NY6K9) (OPT HL13VAZ6-9 (V73197)) (OPT HL13VAZ6-9 (V92215)) (OPT HL13VAZ6-9 (V97928)) (OPT L801-6K9 (V06725)) (OPT HL13VAZ6-9 (V08524)) (OPT HL13V9 (V06725)) (OPT HL13VAZ6-9 (V17446))		1

# 71-11-31

 ILLUSTRATED PARTS LIST  
 01.1 Page 1068T  
 Jul 01/03


**BOEING**  
 COMPONENT  
 MAINTENANCE MANUAL

FIG. & ITEM	PART NO.	AIRLINE PART NUMBER	NOMENCLATURE 1234567	EFF CODE	QTY PER ASSY
01-683	HL13VAZ6-5		..BOLT- (V56878) (SPEC BACB30NY6K5) (OPT HL13VAZ6-5 (V73197)) (OPT HL13VAZ6-5 (V92215)) (OPT HL13VAZ6-5 (V97928)) (OPT L801-6K5 (V06725)) (OPT HL13VAZ6-5 (V08524)) (OPT HL13V5 (V06725)) (OPT HL13VAZ6-5 (V17446))		2
684	HL1187DU6		..COLLAR- (V5M902) (SPEC BACC30X6S) (OPT HL87DU6 (V73197)) (OPT HL87DU6 (V92215)) (OPT HL1187DU6 (V56878)) (OPT HL1187DU6 (V92215)) (OPT HL87DU6 (V56878)) (OPT HL1187DU6 (V73197))		4

71-11-31

ILLUSTRATED PARTS LIST

01.1 Page 1068U

Jul 01/03

FIG. & ITEM	PART NO.	AIRLINE PART NUMBER	NOMENCLATURE 1234567	EFF CODE	QTY PER ASSY
01-685	ASPF PDT6-17		..PIN- (V17446)		2
686	ASPF SDT6		..SLEEVE- (V17446)		2
688	ASPLC2AC6		..COLLAR- (V17446)		2
689	BACB30MY6F18		..BOLT		3
690	H10-3BAC		..NUT- (V15653) (SPEC BACN10JC3) (OPT NS202101-02 (V80539)) (OPT RMLH9075-3W (V72962)) (OPT T6S1032J (V71087)) (OPT VN303A02 (V92215)) (OPT 96-02 (V80539)) (OPT BRH10A3 (V52828))		3
691	315T3400-1		DELETED		
691A	315T3400-207		..BIFURCATION ASSY-LWR (REWORK) (USED ON ITEMS 20G, 35G) (FOR DETAILS SEE FIG. 4)	A, D, E , J, L, N	1
-691B	315T3400-209		DELETED		
691C	315T3400-207SP		DELETED		
-691D	315T3400-209SP		DELETED		

71-11-31

 ILLUSTRATED PARTS LIST  
 01.1 Page 1068V  
 Jul 01/03


**BOEING**  
 COMPONENT  
 MAINTENANCE MANUAL

FIG. & ITEM	PART NO.	AIRLINE PART NUMBER	NOMENCLATURE 1234567	EFF CODE	QTY PER ASSY
01-					
-692	315T3400-2		DELETED		
-692A	315T3400-182		DELETED		
-692B	315T3400-200		..BIFURCATION ASSY-LWR (REWORK) (USED ON ITEMS 25, 30) (FOR DETAILS SEE FIG. 4)	B,C	1
-692C	315T3400-208		..BIFURCATION ASSY-LWR (REWORK) (USED ON ITEMS 30A, 25A) (FOR DETAILS SEE FIG. 4)	B,C	1
-692D	315T3400-200SP		DELETED		
-692E	315T3400-208SP		DELETED		
-692F	315T3400-220SP		DELETED		
-692G	315T3400-210		DELETED		
-692H	315T3400-210SP		DELETED		
-692J	315T3400-219SP		DELETED		
-692K	315T3400-220		..BIFURCATION ASSY-LWR (REWORK) (USED ON ITEMS 25D, 30D) (FOR DETAILS SEE FIG. 4)	B,C	1
-692L	315T3400-219		..BIFURCATION ASSY-LWR (REWORK) (USED ON ITEMS 20K, 35R) (FOR DETAILS SEE FIG. 9)	M,P	1
693	315T3707-1		..BIFURCATION ASSY-LWR (REWORK) (USED ON ITEMS 20H, 20J, 20L, 20M, 35H, 35Q, 35S, 35T)	E,J,M ,P	1
-693G	315T3707-2		..BIFURCATION ASSY-LWR (REWORK) (USED ON ITEMS 25B, 25C, 30B, 30F)	B,C	1
693M	315T3400-207SP		DELETED		
-693N	315T3400-208SP		DELETED		
693P	315T3400-207		...BIFURCATION ASSY- (FOR DETAILS SEE FIG. 4)	E,J,M ,P	1
-693Q	315T3400-208		...BIFURCATION ASSY- (FOR DETAILS SEE FIG. 4)	B,C	1

71-11-31

 ILLUSTRATED PARTS LIST  
 01.1 Page 1068W  
 Jul 01/03

FIG. & ITEM	PART NO.	AIRLINE PART NUMBER	NOMENCLATURE 1234567	EFF CODE	QTY PER ASSY
01- 694 695 696	BACB30LH3-20 AN960-10 BRH10C3M		..BOLT ..WASHER ..NUT- (V52828) (SPEC BACN10JC3CM) (OPT T6C1032JM (V11815)) (OPT 97E02 (V80539)) (OPT 109LH9075-3W (V72962)) (OPT VN303D02 (V92215)) (OPT NS202101SE02 (V80539)) (OPT H01-3BAC (V15653))		1 1 1
697 698 699	BACB30LJ4-18 NAS1805-4N HL13VAZ6-20		..BOLT ..NUT ..BOLT- (V56878) (SPEC BACB30NY6K20) (OPT HL13VAZ6-20 (V73197)) (OPT HL13VAZ6-20 (V92215)) (OPT HL13VAZ6-20 (V97928)) (OPT L801-6K20 (V06725)) (OPT HL13VAZ6-20 (V08524)) (OPT HL13V20 (V06725)) (OPT HL13VAZ6-20 (V17446))		2 2 2
702	HL10VAZ6-5		..BOLT- (V60516) (SPEC BACB30MY6K5) (OPT B30MY6K5 (V97928))		4

71-11-31

ILLUSTRATED PARTS LIST

01.1 Page 1068X

Jul 01/03

**BOEING**  
 COMPONENT  
 MAINTENANCE MANUAL

FIG. & ITEM	PART NO.	AIRLINE PART NUMBER	NOMENCLATURE 1234567	EFF CODE	QTY PER ASSY
01-705	HL79-6		..COLLAR- (V5M902) (SPEC BACC30M6) (OPT HL79-6 (V73197)) (OPT HL79-6 (V92215)) (OPT 66014-6 (V56878)) (OPT HL79-6 (V56878))		6
708	HL13VAZ8-20		..BOLT- (V56878) (SPEC BACB30NY8K20) (OPT HL13VAZ8-20 (V73197)) (OPT HL13VAZ8-20 (V92215)) (OPT HL13VAZ8-20 (V97928)) (OPT L801-8K20 (V06725)) (OPT HL13VAZ8-20 (V08524)) (OPT HL13V20 (V06725)) (OPT HL13VAZ8-20 (V17446))		2
711	HL79-8		..COLLAR- (V5M902) (SPEC BACC30M8) (OPT HL79-8 (V73197)) (OPT HL79-8 (V92215)) (OPT 66014-8 (V56878)) (OPT HL79-8 (V56878))		2
714	315T3256-3		..PLATE-SPLICE	A,D,E ,J, L-P	1
-717	315T3256-4		..PLATE-SPLICE	B,C	1
720	315T3002-16		..STRAP		1

**71-11-31**

ILLUSTRATED PARTS LIST  
 01.1 Page 1068Y  
 Jul 01/03

FIG. & ITEM	PART NO.	AIRLINE PART NUMBER	NOMENCLATURE 1234567	EFF CODE	QTY PER ASSY
01-723	BACS40R10C17F		..SHIM		1
738	315T3409-1		..PAD ASSY-CPRSN FWD (OPT ITEM 738A) (USED ON ITEMS 20, 35)	A,D,L ,N	1
-738A	315T3409-7		..PAD ASSY-CPRSN FWD (OPT ITEM 738) (USED ON ITEMS 20, 35)	A,D,L ,N	1
-738B	315T3409-1		..PAD ASSY-CPRSN FWD (USED ON ITEMS 20A, 35A)	A,D,E ,J,M, P	1
-741	315T3409-2		..PAD ASSY-CPRSN FWD (OPT ITEM 741A) (USED ON ITEMS 25, 30)	B,C	1
-741A	315T3409-8		..PAD ASSY-CPRSN FWD (OPT ITEM 741) (USED ON ITEMS 25, 30)	B,C	1
-741B	315T3409-2		..PAD ASSY-CPRSN FWD (USED ON ITEMS 25A, 25B, 25C, 25D, 30A, 30B, 30D, 30F)	B,C	1
744	MS21209C0820P		...INSERT		2
747	315T3409-3		...FITTING-PAD (USED ON ITEMS 738, 738B)	A,D,E ,J, L-P	1
-747A	315T3409-9		...FITTING-PAD (USED ON ITEM 738A)	A,D,L ,N	1
-750	315T3409-4		...FITTING-PAD (USED ON ITEMS 741, 741B)	B,C	1
-750A	315T3409-10		...FITTING-PAD (USED ON ITEM 741A)	B,C	1
750G	315T3578-1		..SIGNAL INSTL-LATCH (USED ON ITEMS 25, 30)	B,C	1

71-11-31

 ILLUSTRATED PARTS LIST  
 01.1 Page 1068Z  
 Jul 01/03


**BOEING**  
 COMPONENT  
 MAINTENANCE MANUAL

FIG. & ITEM	PART NO.	AIRLINE PART NUMBER	NOMENCLATURE 1234567	EFF CODE	QTY PER ASSY
01-					
751	NAS509-4C		...NUT	B,C	2
751A	AN960C416L		...WASHER	B,C	1
751G	315T1452-2		...ROD	B,C	1
751J	315T3577-1		...SPRING	B,C	1
751L	315T1450-2		...FILLER	B,C	1
752	315T1451-2		...HANDLE ASSY	B,C	1
753	315T3204-3		DELETED		
-753A	315T3204-5		DELETED		
-753B	315T3204-7		..RING ASSY- (OPT ITEM 922) (USED ON ITEMS 20H, 20J, 35H, 35Q)	E,J,M ,P	1
-753C	315T3204-7		..RING ASSY- (USED ON ITEM 35G)	A,D,E ,J,L, N	1
-756	315T3204-4		DELETED		
-756A	315T3204-6		DELETED		
-756B	315T3204-8		..RING ASSY- (OPT ITEM 923) (USED ON ITEMS 25B, 25C, 25D, 25J, 25K, 30B, 30D, 30F)	B,C	1
-756C	315T3204-8		..RING ASSY- (USED ON ITEMS 25, 25A, 30, 30A)	B,C	1
759	BACR15CE6KE7		...RIVET		4
762	315T3222-2		...BUSHING		1
765	HL13VAZ6-4		...BOLT- (V56878) (SPEC BACB30NY6K4) (OPT HL13VAZ6-4 (V73197)) (OPT HL13VAZ6-4 (V92215)) (OPT HL13VAZ6-4 (V97928)) (OPT L801-6K4 (V06725)) (OPT HL13VAZ6-4 (V08524)) (OPT HL13V4 (V06725)) (OPT HL13VAZ6-4 (V17446))		72

71-11-31

ILLUSTRATED PARTS LIST

01.1

Page 1069

Jul 01/03



FIG. & ITEM	PART NO.	AIRLINE PART NUMBER	NOMENCLATURE 1234567	EFF CODE	QTY PER ASSY
R 01-766	HL11VAZ6-3		...BOLT- (V60516) (SPEC BACB30NW6K3) (OPT B30NW6K3 (V97928)) (OPT HL11VAZ6-3 (V73197)) (OPT HL11VAZ6-3 (V92215)) (OPT HL11VAZ6-3 (V97928)) (OPT L803-6K3 (V06725)) (OPT HL11VAZ6-3 (V0PTK6)) (OPT HL11VAZ6-3 (V56878))		66
767	HL79-6		...COLLAR- (V5M902) (SPEC BACC30M6) (OPT HL79-6 (V73197)) (OPT HL79-6 (V92215)) (OPT 66014-6 (V56878)) (OPT HL79-6 (V56878))		138
768	BACB30NW6K3		DELETED		
768A	315T3220-1		...STRIP-RUB		6
769	BACR15CE8KE20		...RIVET		5
769G	BACR15BA8KE22		...RIVET		5
770	BACR15CE8KE17		...RIVET		5

71-11-31

 ILLUSTRATED PARTS LIST  
 01.1 Page 1070  
 Jul 01/03


**BOEING**  
 COMPONENT  
 MAINTENANCE MANUAL

FIG. & ITEM	PART NO.	AIRLINE PART NUMBER	NOMENCLATURE 1234567	EFF CODE	QTY PER ASSY
R	01- 770G	BACR15BA8KE19	...RIVET DELETED		5
	771	BACC30M6			
	771A	HL11VAZ6-5	...BOLT- (V60516) (SPEC BACB30NW6K5) (OPT HL11V6-5 (V92215)) (OPT HL11V6-5 (V97928)) (OPT L803-6-5 (V06725)) (OPT B30NW6K5 (V97928)) (OPT HL11VAZ6-5 (V73197)) (OPT HL11VAZ6-5 (V92215)) (OPT HL11VAZ6-5 (V56878))		4
	771B	HL10VAZ6-4	...BOLT- (V60516) (SPEC BACB30MY6K4) (OPT B30MY6K4 (V97928))		5
	771C	HL79-6	...COLLAR- (V5M902) (SPEC BACC30M6) (OPT HL79-6 (V73197)) (OPT HL79-6 (V92215)) (OPT 66014-6 (V56878)) (OPT HL79-6 (V56878))		9
	772	BACS40R21B29F	...SHIM		AR
	772G	BACS40R22B65F	DELETED		
	772H	BACS40R22C65F	...SHIM		AR
	772M	BACS40R11B2833F	...SHIM		AR
	773	BACS40R21B35F	...SHIM		AR

71-11-31

 ILLUSTRATED PARTS LIST  
 01.1 Page 1070A  
 Jul 01/03

FIG. & ITEM	PART NO.	AIRLINE PART NUMBER	NOMENCLATURE 1234567	EFF CODE	QTY PER ASSY
01-					
773G	BACS40R22B58F		DELETED		
773H	BACS40R22C58F		...SHIM		AR
773M	BACS40R11B28F		...SHIM		AR
774	315T3220-1		DELETED		
774A	315T3216-1		...FITTING	A,D,E ,J, L-P	1
-774B	315T3216-2		...FITTING	B,C	1
775	315T3203-1		...FITTING	A,D,E ,J, L-P	1
-775A	315T3203-2		...FITTING	B,C	1
-776	315T3664-1		...BUSHING INSTL-(REWORK) (USED ON ITEM 753B, 753C)	A,D,E ,J, L-P	1
-776A	315T3664-2		...BUSHING INSTL-(REWORK) (USED ON ITEM 756B, 756C)	B,C	1
777	315T3240-1		DELETED		
778	315T3222-3		...BUSHING		1
779	BACR15CE6KE7		...RIVET		4
779A	BACR15CE6KE7		DELETED		
-780	315T3240-2		DELETED		
781	315T3240-1		..SEAL INSTL-THRUST REVERSER AERODYN (FOR DETAILS SEE FIG. 5)	A,D,E ,J, L-P	1
-782	315T3240-2		..SEAL INSTL-THRUST REVERSER AERODYN (FOR DETAILS SEE FIG. 5)	B,C	1
783	315T3122-1		..DUCT INSTL-INLET FTG	A,D,E ,J, L-P	1
789	NAS514P1032-8P		...SCREW	A,D,E ,J, L-P	5

71-11-31

 ILLUSTRATED PARTS LIST  
 01.1 Page 1070B  
 Jul 01/03


**BOEING**  
 COMPONENT  
 MAINTENANCE MANUAL

FIG. & ITEM	PART NO.	AIRLINE PART NUMBER	NOMENCLATURE 1234567	EFF CODE	QTY PER ASSY
01-792	AN960PD10L		...WASHER	A,D,E ,J, L-P	5
795	H10-3BAC		...NUT- (V15653) (SPEC BACN10JC3) (OPT NS202101-02 (V80539)) (OPT RMLH9075-3W (V72962)) (OPT T6S1032J (V71087)) (OPT VN303A02 (V92215)) (OPT 96-02 (V80539)) (OPT BRH10A3 (V52828))	A,D,E ,J, L-P	5
798	D4848-1		...SEAL- (V75345) (SPEC 60B90602-1)	A,D,E ,J, L-P	1
801	HL505-6-17		...BOLT- (V60516) (SPEC BACB30HA6R17) (OPT HL505-6-17 (V92215)) (OPT HL505-6-17 (V73197))	A,D,E ,J, L-P	12
804	315T3122-3		...SHIM	A,D,E ,J, L-P	12
807	HL77-6		...COLLAR- (V5M902) (SPEC BACC30P6) (OPT HL77-6 (V73197)) (OPT HL77-6 (V92215)) (OPT 66015-6 (V56878)) (OPT HL77-6 (V56878))	A,D,E ,J, L-P	12

71-11-31

 ILLUSTRATED PARTS LIST  
 01.1 Page 1070C  
 Jul 01/03

FIG. & ITEM	PART NO.	AIRLINE PART NUMBER	NOMENCLATURE 1234567	EFF CODE	QTY PER ASSY
01-810	315T3121-1		...DUCT ASSY	A,D,E ,J, L-P	1
811	315T3121-7		....STIFFENER	A,D,E ,J, L-P	1
812	BACB30MB5		ATTACHING PARTS ....BOLT- (SIZE DETERMINE ON INST)	A,D,E ,J, L-P	2
812D	BACB30JC5A		....BOLT- (SIZE DETERMINE ON INST)	A,D,E ,J, L-P	2
812G	HL1187-5		....COLLAR- (V5M902) (SPEC BACC30X5) (OPT HL87-5 (V73197)) (OPT HL87-5 (V92215)) (OPT HL86PB5 (V73197)) (OPT HL86PB5 (V56878)) (OPT HL86PB5 (V92215)) (OPT HL1187-5 (V56878)) (OPT HL1187-5 (V92215)) (OPT HL87-5 (V56878)) (OPT HL1187-5 (V73197)) -----*	A,D,E ,J, L-P	4
812K	315T3121-2		....DUCT	A,D,E ,J, L-P	1

71-11-31

 ILLUSTRATED PARTS LIST  
 01.1 Page 1070D  
 Jul 01/03

**BOEING**  
 COMPONENT  
 MAINTENANCE MANUAL

FIG. & ITEM	PART NO.	AIRLINE PART NUMBER	NOMENCLATURE 1234567	EFF CODE	QTY PER ASSY
01-813	315T3124-5		..DUCT INSTL-EXH	A,D,E	1
R 816	315T3124-6		..DUCT INSTL-EXH	J, L-P	1
R 819	HL11VAZ6-19		...BOLT- (V60516) (SPEC BACB30NW6K19) (OPT B30NW6K19 (V97928)) (OPT HL11VAZ6-19 (V73197)) (OPT HL11VAZ6-19 (V92215)) (OPT HL11VAZ6-19 (V97928)) (OPT L803-6K19 (V06725)) (OPT HL11VAZ6-19 (V0PTK6)) (OPT HL11VAZ6-19 (V56878))	B,C	16
R 822	HL11VAZ6-19		...BOLT- (V60516) (SPEC BACB30NW6K19) (OPT B30NW6K19 (V97928)) (OPT HL11VAZ6-19 (V73197)) (OPT HL11VAZ6-19 (V92215)) (OPT HL11VAZ6-19 (V97928)) (OPT L803-6K19 (V06725)) (OPT HL11VAZ6-19 (V0PTK6)) (OPT HL11VAZ6-19 (V56878))	B,C	16

**71-11-31**

ILLUSTRATED PARTS LIST  
 01.1 Page 1070E  
 Jul 01/03

FIG. & ITEM	PART NO.	AIRLINE PART NUMBER	NOMENCLATURE 1234567	EFF CODE	QTY PER ASSY
01-					
825	BACS40R7B10F		...SHIM		AR
826	BACS40R7B10F		...SHIM	B,C	AR
828	BACC30AB6		DELETED		
828A	HL97DU6		...COLLAR- (V73197) (SPEC BACC30AB6S) (OPT HL97DU6 (V92215)) (OPT HL97DU6 (V56878))		16
831	BACC30AB6		DELETED		
831A	HL97DU6		...COLLAR- (V73197) (SPEC BACC30AB6S) (OPT HL97DU6 (V92215)) (OPT HL97DU6 (V56878))	B,C	16
834	315T3135-1		...GASKET		2
837	315T3135-1		...GASKET	B,C	2
840	315T3135-2		...GASKET		1
843	315T3135-2		...GASKET	B,C	1
846	315T3135-3		...GASKET		1
849	315T3135-3		...GASKET	B,C	1
852	NAS514P1032-8P		...SCREW- (REPLS ITEM 852A)		8
-852A	NAS514P1032-12P		...SCREW- (REPLD BY ITEM 852)		8
855	NAS514P1032-8P		...SCREW- (REPLS ITEM 855A)	B,C	8
-855A	NAS514P1032-12P		...SCREW- (REPLD BY ITEM 855)	B,C	8
858	AN960XC10		...WASHER		8

71-11-31

 ILLUSTRATED PARTS LIST  
 01.1 Page 1070F  
 Jul 01/03

**BOEING**  
 COMPONENT  
 MAINTENANCE MANUAL

FIG. & ITEM	PART NO.	AIRLINE PART NUMBER	NOMENCLATURE 1234567	EFF CODE	QTY PER ASSY
01- 861 864	AN960XC10 BRH10C3		...WASHER ...NUT- (V52828) (SPEC BACN10JC3C) (OPT T6C1032J (V11815)) (OPT 97-02 (V80539)) (OPT 101LH9075-3W (V72962)) (OPT VN303B02 (V92215)) (OPT NS202101S02 (V80539)) (OPT H31-3BAC (V15653))	B,C	8 8
867	BRH10C3		...NUT- (V52828) (SPEC BACN10JC3C) (OPT T6C1032J (V11815)) (OPT 97-02 (V80539)) (OPT 101LH9075-3W (V72962)) (OPT VN303B02 (V92215)) (OPT NS202101S02 (V80539)) (OPT H31-3BAC (V15653))	B,C	8

**71-11-31**

ILLUSTRATED PARTS LIST  
 01.1 Page 1070G  
 Jul 01/03



FIG. & ITEM	PART NO.	AIRLINE PART NUMBER	NOMENCLATURE	EFF CODE	QTY PER ASSY
			1234567		
01-868	315T3124-7		...SHIM- (LIMITED) (MFD FROM SH AIAI 301 7.9 X 7.9 X .100 PER MIL-S-5059) (USED WITH ITEMS 852A, 870D)		2
869	315T3124-7		...SHIM- (LIMITED) (MFD FROM SH AIAI 301 7.9 X 7.9 X .100 PER MIL-S-5059) (USED WITH ITEMS 855, 873B)	B,C	1
870	BOE2040		DELETED		
870B	BOE2040		DELETED		
-870C	BOE2040-0004		DELETED		

# 71-11-31

 ILLUSTRATED PARTS LIST  
 01.1 Page 1070H  
 Jul 01/03


**BOEING**  
 COMPONENT  
 MAINTENANCE MANUAL

FIG. & ITEM	PART NO.	AIRLINE PART NUMBER	NOMENCLATURE 1234567	EFF CODE	QTY PER ASSY
01-870D	BOE2040		...SEAL- (REPLD BY ITEM 870E) (V16632) (SPEC S332T308-1) (BOE2040-0004 I/W BOE2040 AT SURGE BLEED PORT NO. 1) (BOE2040-0004 I/W BOE2040 TOGETHER WITH 3 EACH 315T3124-7 SHIMS AT SURGE BLEED PORT NO. 2) (BOE2040-0004 I/W BOE2040 TOGETHER WITH 2 EACH 315T3124-7 SHIMS AT SURGE BLEED PORT NO. 4)		1
-870E	BOE2040-0004		...SEAL- (REPLS ITEM 870D) (V16632) (SPEC S332T308-4) (BOE2040-0004 I/W BOE2040 AT SURGE BLEED PORT NO. 1) (BOE2040-0004 I/W BOE2040 TOGETHER WITH 3 EACH 315T3124-7 SHIMS AT SURGE BLEED PORT NO. 2) (BOE2040-0004 I/W BOE2040 TOGETHER WITH 2 EACH 315T3124-7 SHIMS AT SURGE BLEED PORT NO. 4)		1
873	BOE2040		DELETED		

71-11-31

 ILLUSTRATED PARTS LIST  
 01.1 Page 1070I  
 Jul 01/03

FIG. & ITEM	PART NO.	AIRLINE PART NUMBER	NOMENCLATURE 1234567	EFF CODE	QTY PER ASSY
01-873B	BOE2040		...SEAL- (REPLD BY ITEM 873C) (V16632) (SPEC S332T308-1) (BOE2040-0004 I/W BOE2040 AT SURGE BLEED PORT NO. 1) (BOE2040-0004 I/W BOE2040 TOGETHER WITH 3 EACH 315T3124-7 SHIMS AT SURGE BLEED PORT NO. 2) (BOE2040-0004 I/W BOE2040 TOGETHER WITH 2 EACH 315T3124-7 SHIMS AT SURGE BLEED PORT NO. 4)	B,C	1
-873C	BOE2040-0004		...SEAL- (REPLS ITEM 873B) (V16632) (SPEC S332T308-4) (BOE2040-0004 I/W BOE2040 AT SURGE BLEED PORT NO. 1) (BOE2040-004 I/W BOE2040 TOGETHER WITH 3 EACH 315T3124-7 SHIMS AT SURGE BLEED PORT NO. 2) (BOE2040-0004 I/W BOE2040 TOGETHER WITH EACH 315T3124-7 SHIMS AT SURGE BLEED PORT NO. 4)	B,C	1

# 71-11-31

 ILLUSTRATED PARTS LIST  
 01.1 Page 1070J  
 Jul 01/03



**BOEING**  
 COMPONENT  
 MAINTENANCE MANUAL

FIG. & ITEM	PART NO.	AIRLINE PART NUMBER	NOMENCLATURE 1234567	EFF CODE	QTY PER ASSY
R 01-876	HL11VAZ6-4		...BOLT- (V60516) (SPEC BACB30NW6K4) (OPT HL11V6-4 (V92215)) (OPT HL11V6-4 (V97928)) (OPT L803-6-4 (V06725)) (OPT B30NW6K4 (V97928)) (OPT HL11VAZ6-4 (V73197)) (OPT HL11VAZ6-4 (V92215)) (OPT HL11VAZ6-4 (V56878))		5
R 879	HL11VAZ6-4		...BOLT- (V60516) (SPEC BACB30NW6K4) (OPT HL11V6-4 (V92215)) (OPT HL11V6-4 (V97928)) (OPT L803-6-4 (V06725)) (OPT B30NW6K4 (V97928)) (OPT HL11VAZ6-4 (V73197)) (OPT HL11VAZ6-4 (V92215)) (OPT HL11VAZ6-4 (V56878))	B,C	5

**71-11-31**

ILLUSTRATED PARTS LIST  
 01.1 Page 1070K  
 Jul 01/03

FIG. & ITEM	PART NO.	AIRLINE PART NUMBER	NOMENCLATURE 1234567	EFF CODE	QTY PER ASSY
R 01-882	HL11VAZ6-3		...BOLT- (V60516) (SPEC BACB30NW6K3) (OPT B30NW6K3 (V97928)) (OPT HL11VAZ6-3 (V73197)) (OPT HL11VAZ6-3 (V92215)) (OPT HL11VAZ6-3 (V97928)) (OPT L803-6K3 (V06725)) (OPT HL11VAZ6-3 (V0PTK6)) (OPT HL11VAZ6-3 (V56878))		12
R 885	HL11VAZ6-3		...BOLT- (V60516) (SPEC BACB30NW6K3) (OPT B30NW6K3 (V97928)) (OPT HL11VAZ6-3 (V73197)) (OPT HL11VAZ6-3 (V92215)) (OPT HL11VAZ6-3 (V97928)) (OPT L803-6K3 (V06725)) (OPT HL11VAZ6-3 (V0PTK6)) (OPT HL11VAZ6-3 (V56878))	B,C	12

# 71-11-31

 ILLUSTRATED PARTS LIST  
 01.1 Page 1070L  
 Jul 01/03


**BOEING**  
 COMPONENT  
 MAINTENANCE MANUAL

FIG. & ITEM	PART NO.	AIRLINE PART NUMBER	NOMENCLATURE 1234567	EFF CODE	QTY PER ASSY
01- 888 888A	BACC30AB6 HL97DU6		DELETED ...COLLAR- (V73197) (SPEC BACC30AB6S) (OPT HL97DU6 (V92215)) (OPT HL97DU6 (V56878))		17
891 891A	BACC30AB6 HL97DU6		DELETED ...COLLAR- (V73197) (SPEC BACC30AB6S) (OPT HL97DU6 (V92215)) (OPT HL97DU6 (V56878))	B,C	17
894	315T3123-24		...DUCT ASSY- (OPT ITEM 894B)	B,C	1
-894A	315T3123-37		...DUCT ASSY	A,D,E ,J,L, P	1
-894B	315T3123-37		...DUCT ASSY- (OPT ITEM 894)	B,C	1
897 900	315T3114-20 315T3126-1		...DUCT ASSY ..DUCT INSTL-INLET PRECOOLER	B,C B,C	1 1
903	315T3100-43		(FOR DETAILS SEE FIG. 6) ..WALL ASSY-INNER DUCT	A,D,L ,N	1
-903A	315T3100-55		..WALL ASSY-INNER DUCT (USED ON ITEMS 20G, 20H, 20M, 35G, 35H, 35T)	E,J,M ,P	1
-903B	315T3100-57		..WALL ASSY-INNER DUCT (USED ON ITEMS 20J, 20K, 20L, 35Q, 35R, 35S)	E,J,M ,P	1
-906	315T3100-44		..WALL ASSY-INNER DUCT (USED ON ITEMS 25, 25A, 25B, 30, 30A, 30B)	B,C	1
-906A	315T3100-58		..WALL ASSY-INNER DUCT (USED ON ITEMS 25C, 25D, 30D, 30F)	B,C	1

71-11-31

 ILLUSTRATED PARTS LIST  
 01.1 Page 1070M  
 Jul 01/03

FIG. & ITEM	PART NO.	AIRLINE PART NUMBER	NOMENCLATURE 1234567	EFF CODE	QTY PER ASSY
01-907	315T3100-5001		...WALL ASSY- (LIMITED)	A,D,L ,N	1
-907A	315T3100-5003		...WALL ASSY- (LIMITED)	A,D,L ,N	1
-907G	315T3100-5005		...WALL ASSY- (LIMITED) (USED ON ITEM 903A)	E,J,M ,P	1
-907H	315T3100-5009		...WALL ASSY- (LIMITED) (USED ON ITEM 903A)	E,J,M ,P	1
-907N	315T3100-5007		DELETED		
-907P	315T3100-5011		...WALL ASSY- (USED ON ITEM 903B)	E,J,M ,P	1
-908	315T3100-5002		...WALL ASSY- (LIMITED) (USED ON ITEM 906)	B,C	1
-908A	315T3100-5004		...WALL ASSY- (LIMITED) (USED ON ITEM 906)	B,C	1
-908B	315T3100-5010		...WALL ASSY- (LIMITED) (USED ON ITEM 906)	B,C	1
-908G	315T3100-5008		DELETED		
-908H	315T3100-5012		...WALL ASSY- (USED ON ITEM 906A)	B,C	1
908M	BACB30LL4-4		DELETED		
908N	BACB30VF4K5		....BOLT- (USED ON ITEMS 907P, 908H)	B,C,E ,J,M, P	2
-908P	BACB30VF4K4		....BOLT- (USED ON ITEMS 907, 907A, 907G, 907H, 908, 908A, 908B)		2
909	BACR15CE3KE		....RIVET- (SIZE DETERMINE ON INST)		4
912	NS103190-048		....NUTPLATE- (V80539) (SPEC BACN10KE4A) (OPT F51750-4-1 (V15653)) (OPT RMF9212-4 (V72962)) (OPT BRFR220A4-1 (V52828))		2

71-11-31

 ILLUSTRATED PARTS LIST  
 01.1 Page 1070N  
 Jul 01/03


**BOEING**  
 COMPONENT  
 MAINTENANCE MANUAL

FIG. & ITEM	PART NO.	AIRLINE PART NUMBER	NOMENCLATURE 1234567	EFF CODE	QTY PER ASSY
01-913	BACR15CE4B		....RIVET- (SIZE DETERMINE ON INST)		AR
914	BACR15CE3KE		DELETED		
914A	BACB30NW6K		....BOLT- (SIZE DETERMINE ON INST)		6
915	BACN10KF3		DELETED		
916	HL79-6		....COLLAR- (V5M902) (SPEC BACC30M6) (OPT HL79-6 (V73197)) (OPT HL79-6 (V92215)) (OPT 66014-6 (V56878)) (OPT HL79-6 (V56878))		6
917	315T3554-2		....CATCH-COWL		1
918	315T3100-34		DELETED		
918A	315T3100-59		....STRIP-RUB (OPT ITEMS 918G, 918N)	A,D,E ,J, L-P	1
918G	315T3100-63		....STRIP-RUB (OPT ITEM 918A USED WITH ITEM 918N)	A,D,E ,J, L-P	1
918N	315T3100-65		....STRIP-RUB (OPT ITEM 918A USED WITH ITEM 918G)	A,D,E ,J, L-P	1
919	315T3100-3		....BOND ASSY-RIVET (USED ON ITEM 907)	A,D,L ,N	1
-919A	315T3100-45		....BOND ASSY-RIVET (USED ON ITEMS 907A, 907G)	A,D,E ,J, L-P	1
-919B	315T3100-75		....BOND ASSY-RIVET (USED ON ITEMS 907H, 907P)	E,J,M ,P	1
-919G	315T3100-4		....BOND ASSY-RIVET (USED ON ITEM 908)	B,C	1
-919H	315T3100-46		....BOND ASSY-RIVET (USED ON ITEM 908A)	B,C	1
-919J	315T3100-76		....BOND ASSY-RIVET (USED ON ITEMS 908B, 908H)	B,C	1

71-11-31

 ILLUSTRATED PARTS LIST  
 01.1 Page 10700  
 Jul 01/03



FIG. & ITEM	PART NO.	AIRLINE PART NUMBER	NOMENCLATURE 1234567	EFF CODE	QTY PER ASSY
01-					
-920	315T3101-1		....PANEL ASSY-ACOUSTIC (USED ON ITEM 907)	A,D,L ,N	1
-920A	315T3101-125		....PANEL ASSY-ACOUSTIC (USED ON ITEM 907A)	A,D,L ,N	1
-920B	315T3101-151		....PANEL ASSY-ACOUSTIC (USED ON ITEMS 907G, 907H)	E,J,M ,P	1
-920C	315T3101-153		....PANEL ASSY-ACOUSTIC (USED ON ITEM 907P)	E,J,M ,P	1
-920L	315T3101-2		....PANEL ASSY-ACOUSTIC (USED ON ITEM 908)	B,C	1
-920M	315T3101-126		....PANEL ASSY-ACOUSTIC (USED ON ITEMS 908A, 908B)	B,C	1
-920N	315T3101-170		....PANEL ASSY-ACOUSTIC (USED ON ITEM 908H)	B,C	1
-921	315T3100-35		DELETED		
-921A	315T3100-60		....STRIP-RUB (OPT ITEMS 921G, 921N)	B,C	1
-921G	315T3100-64		....STRIP-RUB (OPT ITEM 921A USED WITH ITEM 921N)	B,C	1
-921N	315T3100-66		....STRIP-RUB (OPT ITEM 921A USED WITH ITEM 921G)	B,C	1
922	315T3204-5		..RING ASSY- (OPT ITEM 753B) (USED ON ITEMS 20H, 20J, 35H, 35J) (PRE SB 767-78A0089)	E,J,M ,P	1
-922A	315T3204-21		..RING ASSY- (USED ON ITEMS 20H, 20J, 35H, 35J) (POST SB 767-78A0089)	E,J,M ,P	1

71-11-31

 ILLUSTRATED PARTS LIST  
 01.1 Page 1070P  
 Jul 01/03


**BOEING**  
 COMPONENT  
 MAINTENANCE MANUAL

FIG. & ITEM	PART NO.	AIRLINE PART NUMBER	NOMENCLATURE 1234567	EFF CODE	QTY PER ASSY
01- -923	315T3204-6		..RING ASSY- (OPT ITEM 756B) (USED ON ITEMS 25B, 25C, 25D, 30B, 30D) (PRE SB 767-78A0089)	B,C	1
-923A	315T3204-22		..RING ASSY- (USED ON ITEMS 25B, 25C, 25D, 30B, 30D) (POST SB 767-78A0089) (FOR DETAILS SEE FIG. 10)	B,C	1
-924	315T3204-5001		...RING ASSY- (LIMITED)	E,J,M ,P	1
-924A	315T3204-5003		...RING ASSY- (LIMITED)	E,J,M ,P	1
-924B	315T3204-5005		...RING ASSY- (LIMITED)	E,J,M ,P	1
-924C	315T3204-5007		...RING ASSY- (LIMITED)	E,J,M ,P	1
-924D	315T3204-5009		...RING ASSY- (LIMITED)	E,J,M ,P	1
-925	315T3204-5002		...RING ASSY- (LIMITED)	B,C	1
-925A	315T3204-5004		...RING ASSY- (LIMITED)	B,C	1
-925B	315T3204-5006		...RING ASSY- (LIMITED)	B,C	1
-925C	315T3204-5008		...RING ASSY- (LIMITED)	B,C	1
-925D	315T3204-5010		...RING ASSY- (LIMITED)	B,C	1

71-11-31

 ILLUSTRATED PARTS LIST  
 01.1 Page 1070Q  
 Jul 01/03

FIG. & ITEM	PART NO.	AIRLINE PART NUMBER	NOMENCLATURE 1234567	EFF CODE	QTY PER ASSY
01-926	BACR15CE6KE7		....RIVET- (PRE SB 767-78A0089)		4
-926A	MS90353-0603		....RIVET- (POST SB 767-78A0089)		4
927	315T3222-4		....BUSHING- (USED ON ITEMS 924, 924A, 924B, 924C, 925, 925A, 925B, 925C) (PRE SB 767-78A0089)		1
-927A	315T3222-5		....BUSHING- (USED ON ITEMS 924D, 925D) (PRE SB 767-78A0089)		1
927M	315T3222-10		....BUSHING- (POST SB 767-78A0089)		1
928	HL13VAZ6-4		....BOLT- (V56878) (SPEC BACB30NY6K4) (OPT HL13VAZ6-4 (V73197)) (OPT HL13VAZ6-4 (V92215)) (OPT HL13VAZ6-4 (V97928)) (OPT L801-6K4 (V06725)) (OPT HL13VAZ6-4 (V08524)) (OPT HL13V4 (V06725)) (OPT HL13VAZ6-4 (V17446))		72

71-11-31

 ILLUSTRATED PARTS LIST  
 01.1 Page 1070R  
 Jul 01/03

**BOEING**  
 COMPONENT  
 MAINTENANCE MANUAL

FIG. & ITEM	PART NO.	AIRLINE PART NUMBER	NOMENCLATURE 1234567	EFF CODE	QTY PER ASSY
R 01-929	HL11VAZ6-3		....BOLT- (V60516) (SPEC BACB30NW6K3) (OPT B30NW6K3 (V97928)) (OPT HL11VAZ6-3 (V73197)) (OPT HL11VAZ6-3 (V92215)) (OPT HL11VAZ6-3 (V97928)) (OPT L803-6K3 (V06725)) (OPT HL11VAZ6-3 (V0PTK6)) (OPT HL11VAZ6-3 (V56878))		66
930	HL79-6		....COLLAR- (V5M902) (SPEC BACC30M6) (OPT HL79-6 (V73197)) (OPT HL79-6 (V92215)) (OPT 66014-6 (V56878)) (OPT HL79-6 (V56878))		138
931	315T3220-1		....STRIP-RUB		6
932	BACR15CE8KE20		....RIVET		5
933	BACR15BA8KE22		....RIVET		5
934	BACR15CE8KE17		....RIVET		5
935	BACR15BA8KE19		....RIVET		5

**71-11-31**

ILLUSTRATED PARTS LIST  
 01.1 Page 1070S  
 Jul 01/03

FIG. & ITEM	PART NO.	AIRLINE PART NUMBER	NOMENCLATURE 1234567	EFF CODE	QTY PER ASSY
R 01-936	HL11VAZ6-5		....BOLT- (V60516) (SPEC BACB30NW6K5) (OPT HL11V6-5 (V92215)) (OPT HL11V6-5 (V97928)) (OPT L803-6-5 (V06725)) (OPT B30NW6K5 (V97928)) (OPT HL11VAZ6-5 (V73197)) (OPT HL11VAZ6-5 (V92215)) (OPT HL11VAZ6-5 (V56878))		4
937	HL10VAZ6-4		....BOLT- (V60516) (SPEC BACB30MY6K4) (OPT B30MY6K4 (V97928))		5
938	HL79-6		....COLLAR- (V5M902) (SPEC BACC30M6) (OPT HL79-6 (V73197)) (OPT HL79-6 (V92215)) (OPT 66014-6 (V56878)) (OPT HL79-6 (V56878))		9

# 71-11-31

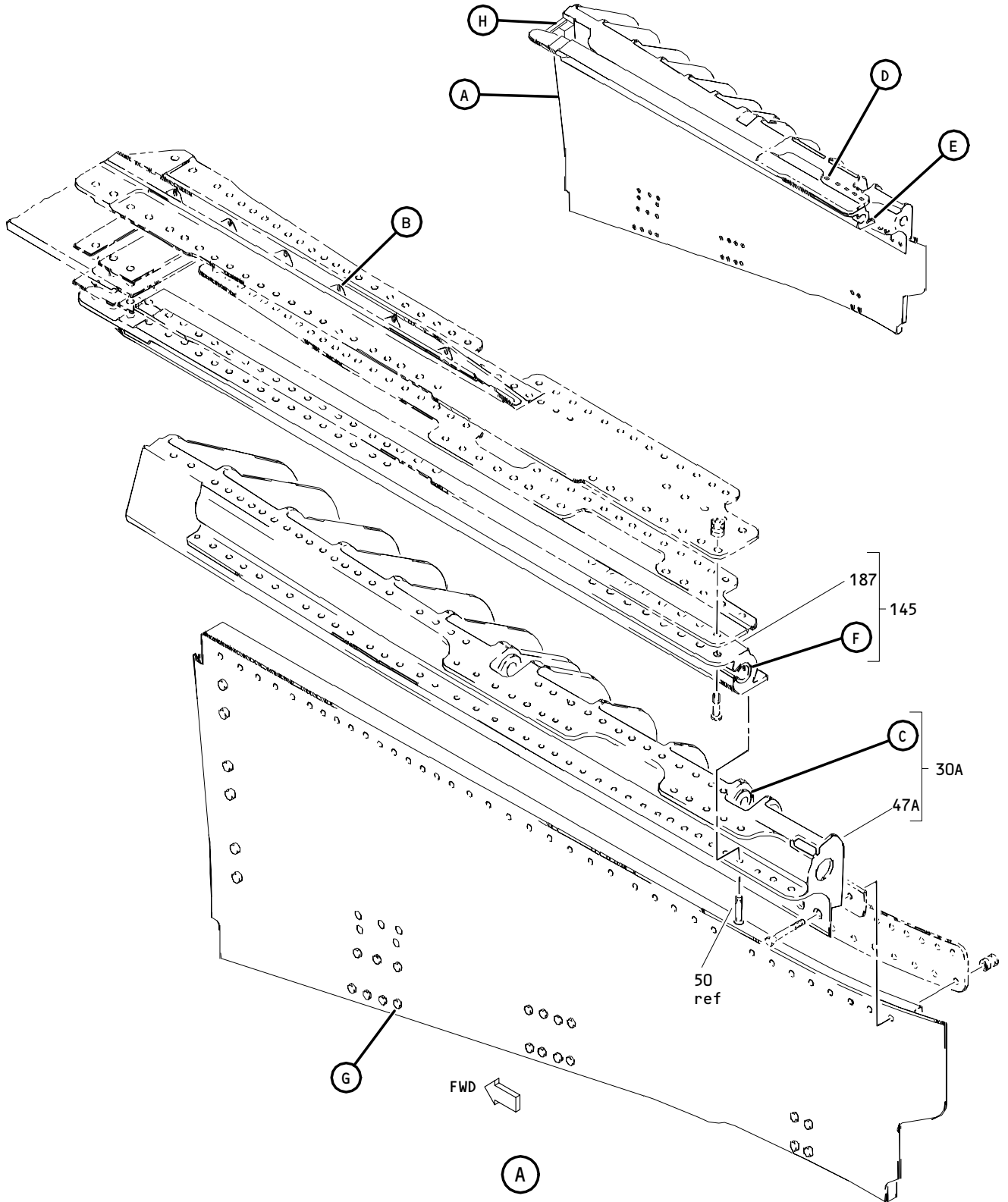
 ILLUSTRATED PARTS LIST  
 01.1 Page 1070T  
 Jul 01/03

**BOEING**  
 COMPONENT  
 MAINTENANCE MANUAL

FIG. & ITEM	PART NO.	AIRLINE PART NUMBER	NOMENCLATURE 1234567	EFF CODE	QTY PER ASSY
01-					
939	BACS40R21B29F		....SHIM		AR
940	BACS40R22C65F		....SHIM		AR
941	BACS40R11B2833F		....SHIM		AR
942	BACS40R21B35F		....SHIM		AR
943	BACS40R22C58F		....SHIM		AR
944	BACS40R11B28F		....SHIM		AR
945	315T3216-3		....FITTING- (USED ON ITEMS 924, 924A, 924B)	E,J,M ,P	1
-945A	315T3216-4		....FITTING- (USED ON ITEMS 925, 925A, 925B)	B,C	1
-945B	315T3216-7		....FITTING- (USED ON ITEM 924C, 924D)	E,J,M ,P	1
-945C	315T3216-8		....FITTING- (USED ON ITEM 925C, 925D)	B,C	1
946	315T3203-3		....FITTING	E,J,M ,P	1
-946A	315T3203-4		....FITTING	B,C	1

R

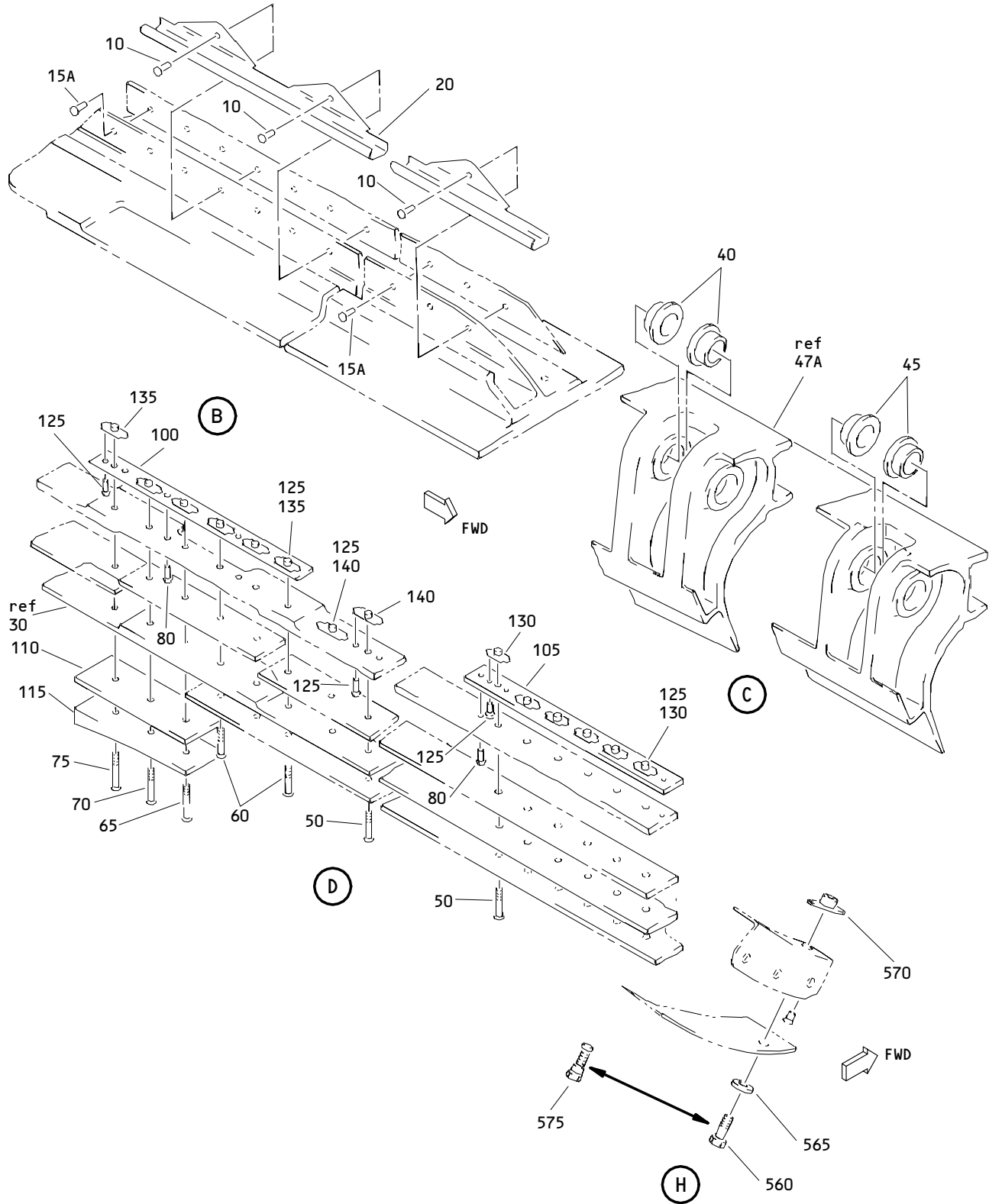
- Item Not Illustrated



Engine Outboard and Inboard Side Fan Duct Upper Bifurcation Installation  
Figure 2 (Sheet 1)

**71-11-31**

ILLUSTRATED PARTS LIST  
01.1 Page 1070W  
Jul 01/03

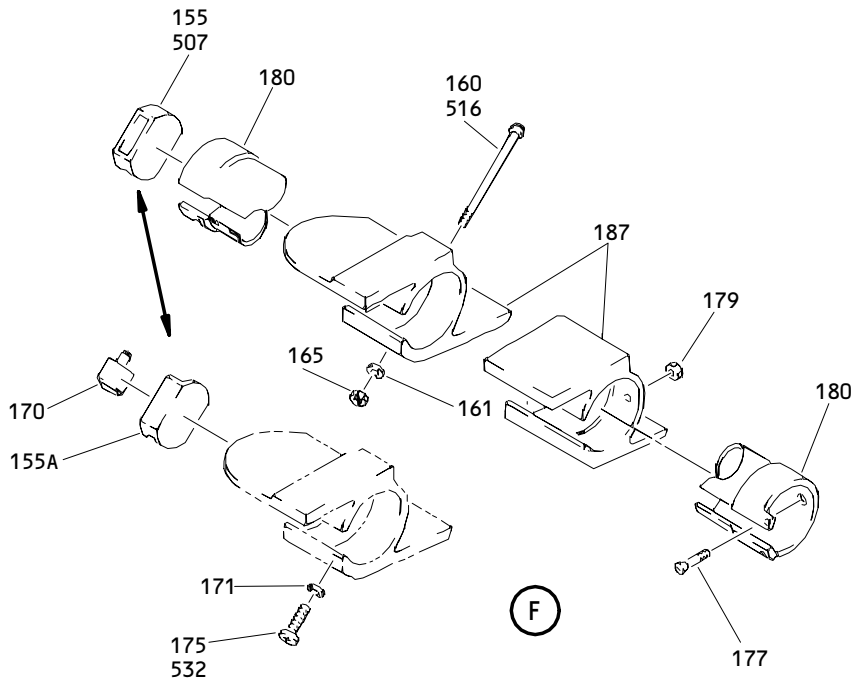
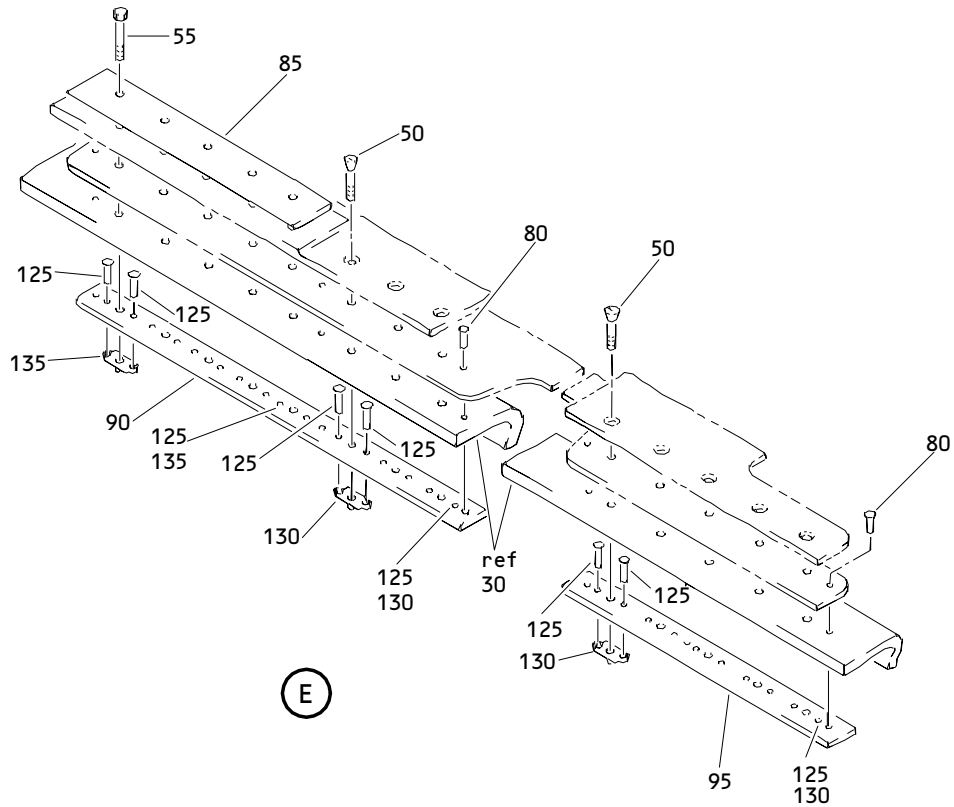


Engine Outboard and Inboard Side Fan Duct Upper Bifurcation Installation  
 Figure 2 (Sheet 2)

**71-11-31**

ILLUSTRATED PARTS LIST  
 01.1 Page 1070X  
 Jul 01/03

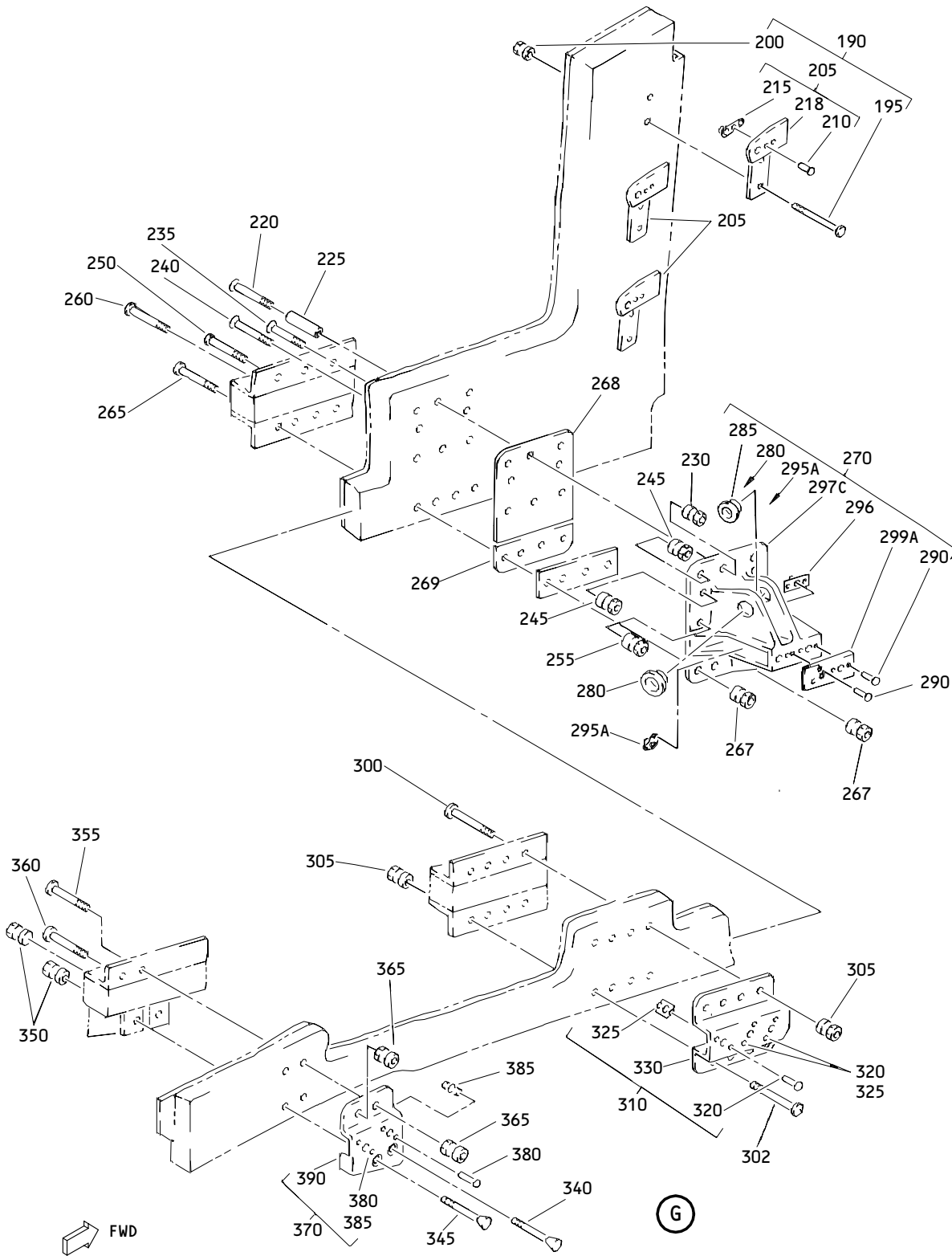




Engine Outboard and Inboard Side Fan Duct Upper Bifurcation Installation  
Figure 2 (Sheet 3)

**71-11-31**

ILLUSTRATED PARTS LIST  
01.1 Page 1070Y  
Jul 01/03



Engine Outboard and Inboard Side Fan Duct Upper Bifurcation Installation  
 Figure 2 (Sheet 4)

**71-11-31**

ILLUSTRATED PARTS LIST  
 01.1 Page 1070Z  
 Jul 01/03


**BOEING**  
 COMPONENT  
 MAINTENANCE MANUAL

FIG. & ITEM	PART NO.	AIRLINE PART NUMBER	NOMENCLATURE 1234567	EFF CODE	QTY PER ASSY
02- -1	315T3300-1		BIFURCATION INSTL-ENG OUTBD AND INBD SIDE FAN DUCT UPR	A,D,E ,J, L-P	RF
-5	315T3300-2		BIFURCATION INSTL-ENG OUTBD AND INBD SIDE FAN DUCT UPR	B,C	RF
-6	315T3300-5001		.BIFURCATION INSTL- (LIMITED)	A,D,E ,J, L-P	1
-6A	315T3300-5003		.BIFURCATION INSTL- (LIMITED)	A,D,E ,J, L-P	1
-6B	315T3300-5005		.BIFURCATION INSTL- (LIMITED)	A,D,E ,J, L-P	1
-6C	315T3300-5009		.BIFURCATION INSTL- (LIMITED)	A,D,E ,J, L-P	1
-6D	315T3300-5019		.BIFURCATION INSTL- (LIMITED)	A,D,E ,J, L-P	1
-6E	315T3300-5021		DELETED		
-6F	315T3300-5023		.BIFURCATION INSTL- (LIMITED)	A,D,E ,J, L-P	1
-7	315T3300-5002		.BIFURCATION INSTL- (LIMITED)	B,C	1
-7A	315T3300-5004		.BIFURCATION INSTL- (LIMITED)	B,C	1
-7B	315T3300-5006		.BIFURCATION INSTL- (LIMITED)	B,C	1
-7C	315T3300-5010		.BIFURCATION INSTL- (LIMITED)	B,C	1
-7D	315T3300-5020		.BIFURCATION INSTL- (LIMITED)	B,C	1
-7E	315T3300-5022		DELETED		
-7F	315T3300-5024		.BIFURCATION INSTL- (LIMITED)	B,C	1

71-11-31

 ILLUSTRATED PARTS LIST  
 01.1 Page 1071  
 Jul 01/03

FIG. & ITEM	PART NO.	AIRLINE PART NUMBER	NOMENCLATURE 1234567	EFF CODE	QTY PER ASSY
02-10	MS20615-5MP		..RIVET- (SIZE DETERMINE ON INST)		6
15	BACR15FT5KE		DELETED		
15A	BACR15FT5D		..RIVET- (SIZE DETERMINE ON INST)		13
20	315T3406-3		..LINER-AUX TRACK	A,D,E ,J, L-P	1
-25	315T3406-4		..LINER-AUX TRACK	B,C	1
30	315T3303-1		DELETED		
30A	315T3303-9		..FITTING ASSY-HINGE (USED ON ITEMS 6, 6A, 6B, 6C)	A,D,E ,J, L-P	1
-30B	315T3303-13		..FITTING ASSY-HINGE (LIMITED) (USED ON ITEM 6F)	A,D,E ,J, L-P	1
-30C	315T3303-17		..FITTING ASSY-HINGE (LIMITED) (USED ON ITEM 6D)	A,D,E ,J, L-P	1
-30D	315T3303-17		DELETED		
-35	315T3303-2		DELETED		
-35A	315T3303-10		..FITTING ASSY-HINGE (USED ON ITEMS 7, 7A, 7B, 7C)	B,C	1
-35B	315T3303-14		..FITTING ASSY-HINGE (LIMITED) (USED ON ITEM 7F)	B,C	1
-35C	315T3303-18		..FITTING ASSY-HINGE (LIMITED) (USED ON ITEM 7D)	B,C	1
-35D	315T3303-18		DELETED		

71-11-31

 ILLUSTRATED PARTS LIST  
 01.1 Page 1072  
 Jul 01/03


**BOEING**  
 COMPONENT  
 MAINTENANCE MANUAL

FIG. & ITEM	PART NO.	AIRLINE PART NUMBER	NOMENCLATURE 1234567	EFF CODE	QTY PER ASSY
02-					
40	BACB28W12B042		...BUSHING		2
45	BACB28W12B076		...BUSHING		2
47	315T3303-3		DELETED		
47A	315T3303-11		...FITTING- (USED ON ITEM 30A)	A,D,E ,J, L-P	1
47B	315T3303-15		...FITTING- (USED ON ITEM 30B)	A,D,E ,J, L-P	1
47C	315T3303-19		...FITTING- (USED ON ITEM 30C)	A,D,E ,J, L-P	1
-49	315T3303-4		DELETED		
-49A	315T3303-12		...FITTING- (USED ON ITEM 35A)	B,C	1
-49B	315T3303-16		...FITTING- (USED ON ITEM 35B)	B,C	1
-49C	315T3303-20		...FITTING- (USED ON ITEM 35C)	B,C	1
50	BACB30NU3K8		..BOLT		16
55	BACB30NR4K10		..BOLT		5
60	BACB30NU4K10		..BOLT		3
65	BACB30NU4K11		..BOLT		1
70	BACB30NU4K12		..BOLT		1
75	BACB30NU4K14		..BOLT		1
80	BACR15BA3AD		..RIVET- (SIZE DETERMINE ON INST)		10
85	315T3300-6		..FILLER-RADIUS		1
90	315T3300-5		..FILLER-RADIUS		1
95	BACF3F007G063NN		..FILLER		1
100	315T3300-11		..FILLER-RADIUS		1
105	BACF3F008G062NN		..FILLER		1

71-11-31

 ILLUSTRATED PARTS LIST  
 01.1 Page 1072A  
 Jul 01/03

FIG. & ITEM	PART NO.	AIRLINE PART NUMBER	NOMENCLATURE 1234567	EFF CODE	QTY PER ASSY
02-110	BACS40R12C35F		..SHIM		1
115	315T3537-1		..FILLER-TAPERED	A,D,E	1
-120	315T3537-2		..FILLER-TAPERED	J, L-P	1
125	BACR15BA3AD		..RIVET- (SIZE DETERMINE ON INST)	B,C	54
130	BRFM20C3M		..NUTPLATE- (V52828) (SPEC BACN10JN3CM) (OPT MF1001-3BAC (V15653)) (OPT NS103218SE02 (V80539)) (OPT VN252D02 (V92215)) (OPT 109F9201M3 (V72962)) (OPT T8125C3C (V11815)) (OPT 109F9201M3 (V72962)) (OPT MF53050-3DL (V15653))		14
135	BRFM20C4M		..NUTPLATE- (V52828) (SPEC BACN10JN4CM) (OPT MF1001-4BAC (V15653)) (OPT NS103218SE048 (V80539)) (OPT VN252D048 (V92215)) (OPT 109F9201M4 (V72962)) (OPT T8125C4C (V11815)) (OPT T8125C4C (V11815))		11

71-11-31

 ILLUSTRATED PARTS LIST  
 01.1 Page 1072B  
 Jul 01/03


**BOEING**  
 COMPONENT  
 MAINTENANCE MANUAL

FIG. & ITEM	PART NO.	AIRLINE PART NUMBER	NOMENCLATURE 1234567	EFF CODE	QTY PER ASSY
02-140	BRF200C3M		..NUTPLATE- (V52828) (SPEC BACN10JR3CFM) (OPT F5001-3BAC (V15653)) (OPT NS103203SE02 (V80539)) (OPT T8092C1032 (V11815)) (OPT VN152D1-02 (V92215)) (OPT 109F9201-3 (V72962))		2
145	315T3302-1		..TRACK ASSY-UPR (USED ON ITEMS 6, 6B)	A,D,E ,J, L-P	1
-145A	315T3302-9		DELETED		
-150	315T3302-2		..TRACK ASSY-UPR (USED ON ITEMS 7, 7B)	B,C	1
-150A	315T3302-10		DELETED		
155	315T3317-1		...RETAINER-LINER (ITEMS 155, 160 AND 165 OPT TO ITEMS 155A, 170 AND 175)		1
155A	315T3257-1		...RETAINER-PIN (ITEMS 155, 160 AND 165 OPT TO ITEMS 155A, 170 AND 175)		1

71-11-31

 ILLUSTRATED PARTS LIST  
 01.1 Page 1072C  
 Jul 01/03

FIG. & ITEM	PART NO.	AIRLINE PART NUMBER	NOMENCLATURE 1234567	EFF CODE	QTY PER ASSY
02-160	NAS623-3-26		...SCREW- (ITEMS 155, 160 AND 165 OPT TO ITEMS 155A, 170 AND 175)		1
165	H10-3BAC		...NUT- (V15653) (SPEC BACN10JC3) (OPT NS202101-02 (V80539)) (OPT RMLH9075-3W (V72962)) (OPT T6S1032J (V71087)) (OPT VN303A02 (V92215)) (OPT 96-02 (V80539)) (OPT BRH10A3 (V52828)) (ITEMS 155, 160 AND 165 OPT TO ITEMS 155A, 170 AND 175)		1
170	315T3257-2		...PIN- (ITEMS 155, 160 AND 165 OPT TO ITEMS 155A, 170 AND 175)		1
171	AN960PD10L		...WASHER		1
175	NAS6703H12		...BOLT- (ITEMS 155, 160 AND 165 OPT TO ITEMS 155A, 170 AND 175)		1
177	BACB30LL3-3		...BOLT		1

71-11-31

 ILLUSTRATED PARTS LIST  
 01.1 Page 1072D  
 Jul 01/03




**BOEING**  
 COMPONENT  
 MAINTENANCE MANUAL

FIG. & ITEM	PART NO.	AIRLINE PART NUMBER	NOMENCLATURE 1234567	EFF CODE	QTY PER ASSY
02-179	H10-3BAC		...NUT- (V15653) (SPEC BACN10JC3) (OPT NS202101-02 (V80539)) (OPT RMLH9075-3W (V72962)) (OPT T6S1032J (V71087)) (OPT VN303A02 (V92215)) (OPT 96-02 (V80539)) (OPT BRH10A3 (V52828))		1
180	315T3415-8		...LINER	A,D,E ,J, L-P	1
-185	315T3415-9		...LINER	B,C	1
187	315T3302-3		...TRACK- (USED ON ITEM 145)	A,D,E ,J, L-P	1
-187A	315T3302-11		DELETED		
-188	315T3302-4		...TRACK- (USED ON ITEM 150)	B,C	1
-188A	315T3302-12		DELETED		
190	315T3301-69		..PANEL ASSY-WALL (OPT ITEM 190A)	A,D,E ,J, L-P	1
-190A	315T3301-65		..PANEL ASSY-WALL (OPT ITEM 190)	A,D,E ,J, L-P	1
-191	315T3301-66		..PANEL ASSY-WALL (OPT ITEM 191A)	B,C	1
-191A	315T3301-70		..PANEL ASSY-WALL (OPT ITEM 191)	B,C	1
192	BACR15BB3AD		...RIVET- (SIZE DETERMINE ON INST)		13
193	315T3301-45		...RETAINER		1
194	315T3301-60		...RETAINER		1

71-11-31

 ILLUSTRATED PARTS LIST  
 01.1 Page 1072E  
 Jul 01/03

FIG. & ITEM	PART NO.	AIRLINE PART NUMBER	NOMENCLATURE 1234567	EFF CODE	QTY PER ASSY
R 02-195	HL11VAZ5-19		...BOLT- (V60516) (SPEC BACB30NW5K19) (OPT B30NW5K19 (V97928)) (OPT HL11VAZ5-19 (V73197)) (OPT HL11VAZ5-19 (V92215)) (OPT HL11VAZ5-19 (V97928)) (OPT L803-5K19 (V06725)) (OPT HL11VAZ5-19 (V0PTK6)) (OPT HL11VAZ5-19 (V56878))	A,D,E ,J, L-P	6
200	HL79-5		...COLLAR- (V5M902) (SPEC BACC30M5) (OPT HL70-5 (V73197)) (OPT HL70-5 (V92215)) (OPT 66014-5 (V56878)) (OPT HL70-5 (V56878))	A,D,E ,J, L-P	6
205	315T3130-10		...BRACKET ASSY	A,D,E ,J, L-P	3
210	BACR15CE3M		....RIVET- (SIZE DETERMINE ON INST)	A,D,E ,J, L-P	2

71-11-31

 ILLUSTRATED PARTS LIST  
 01.1 Page 1072F  
 Jul 01/03


**BOEING**  
 COMPONENT  
 MAINTENANCE MANUAL

FIG. & ITEM	PART NO.	AIRLINE PART NUMBER	NOMENCLATURE 1234567	EFF CODE	QTY PER ASSY
02-215	BRM100C3M		....NUTPLATE- (V52828) (SPEC BACN10JP3BCM) (OPT MK2001-3BAC (V15653)) (OPT NS103198SE02 (V80539)) (OPT T8081C1032 (V11815)) (OPT VN201D1-02 (V92215)) (OPT 109A9207M3 (V72962))	A,D,E ,J, L-P	1
218	315T3130-9		....BRACKET	A,D,E ,J, L-P	1
220	ASPF FDT8-20		..PIN- (V29666)		1
225	ASPFSDT8		..SLEEVE- (V29666)		1
230	ASPLC2AC8		..COLLAR- (V29666)		1
235	HL13VAZ8-20		..BOLT- (V56878) (SPEC BACB30NY8K20) (OPT HL13VAZ8-20 (V73197)) (OPT HL13VAZ8-20 (V92215)) (OPT HL13VAZ8-20 (V97928)) (OPT L801-8K20 (V06725)) (OPT HL13VAZ8-20 (V08524)) (OPT HL13V20 (V06725)) (OPT HL13VAZ8-20 (V17446))		2

71-11-31

 ILLUSTRATED PARTS LIST  
 01.1 Page 1072G  
 Jul 01/03

FIG. & ITEM	PART NO.	AIRLINE PART NUMBER	NOMENCLATURE 1234567	EFF CODE	QTY PER ASSY
02-240	HL13VAZ8-21		..BOLT- (V56878) (SPEC BACB30NY8K21) (OPT HL13VAZ8-21 (V73197)) (OPT HL13VAZ8-21 (V92215)) (OPT HL13VAZ8-21 (V97928)) (OPT L801-8K21 (V06725)) (OPT HL13VAZ8-21 (V08524)) (OPT HL13V21 (V06725)) (OPT HL13VAZ8-21 (V17446))		2
245	HL79-8		..COLLAR- (V5M902) (SPEC BACC30M8) (OPT HL79-8 (V73197)) (OPT HL79-8 (V92215)) (OPT 66014-8 (V56878)) (OPT HL79-8 (V56878))		4

# 71-11-31

 ILLUSTRATED PARTS LIST  
 01.1 Page 1072H  
 Jul 01/03


**BOEING**  
 COMPONENT  
 MAINTENANCE MANUAL

FIG. & ITEM	PART NO.	AIRLINE PART NUMBER	NOMENCLATURE 1234567	EFF CODE	QTY PER ASSY
02-250	HL1012AZ8-23		..BOLT- (VOPTK6) (SPEC BACB30NX8K23) (OPT HL12VAZ8-23 (V73197)) (OPT HL12VAZ8-23 (V92215)) (OPT HL12VAZ8-23 (V97928)) (OPT L802-8K23 (V06725)) (OPT HL12VAZ8-23 (V56878)) (OPT HL1012AZ8-23 (V06725)) (OPT HL1012AZ8-23 (V06950)) (OPT HL1012AZ8-23 (V17446)) (OPT HL1012AZ8-23 (V56878)) (OPT HL1012AZ8-23 (V60516)) (OPT HL1012AZ8-23 (V73197)) (OPT HL1012AZ8-23 (V97928))		3
255	HL1187DUW8		..COLLAR- (V5M902) (SPEC BACC30X8SW) (OPT HL87DUW8 (V73197)) (OPT HL87DUW8 (V92215)) (OPT HL1187DUW8 (V56878)) (OPT HL1187DUW8 (V92215)) (OPT HL87DUW8 (V56878)) (OPT HL1187DUW8 (V73197))		3

71-11-31

ILLUSTRATED PARTS LIST

01.1 Page 1072I

Jul 01/03

FIG. & ITEM	PART NO.	AIRLINE PART NUMBER	NOMENCLATURE 1234567	EFF CODE	QTY PER ASSY
02-260	HL10VAZ6-23		..BOLT- (V60516) (SPEC BACB30MY6K23) (OPT B30MY6K23 (V97928))		2
265	HL10VAZ6-22		..BOLT- (V60516) (SPEC BACB30MY6K22) (OPT B30MY6K22 (V97928))		2
267	HL79-6		..COLLAR- (V5M902) (SPEC BACC30M6) (OPT HL79-6 (V73197)) (OPT HL79-6 (V92215)) (OPT 66014-6 (V56878)) (OPT HL79-6 (V56878))		4
268	BACS40R37C46F		..SHIM- (USED ON ITEMS 6B, 7B)		1
-268A	315T3300-12		..SHIM- (USED ON ITEMS 6, 6A, 6C, 6F, 7, 7A, 7C, 7F)		1
269	BACS40R10C38F		..SHIM- (USED ON ITEMS 6B, 7B)		1
-269A	315T3300-13		..SHIM- (USED ON ITEMS 6, 6A, 6C, 6F, 7, 7A, 7C, 7F)		1

71-11-31

 ILLUSTRATED PARTS LIST  
 01.1 Page 1072J  
 Jul 01/03


**BOEING**  
 COMPONENT  
 MAINTENANCE MANUAL

FIG. & ITEM	PART NO.	AIRLINE PART NUMBER	NOMENCLATURE 1234567	EFF CODE	QTY PER ASSY
02-270	315T3308-25		..ATTACH ASSY-ACTR (USED ON ITEM 6B)	A,D,E ,J, L-P	1
-270A	315T3308-21		DELETED		
-270B	315T3308-33		..ATTACH ASSY-ACTR (USED ON ITEMS 6, 6A, 6C, 6D, 6F)	A,D,E ,J, L-P	1
-275	315T3308-26		..ATTACH ASSY-ACTR (USED ON ITEM 7B)	B,C	1
-275A	315T3308-22		DELETED		
-275B	315T3308-34		..ATTACH ASSY-ACTR (USED ON ITEMS 7, 7A, 7C, 7D, 7F)	B,C	1
280	BACB28AM09B021A		...BUSHING		1
285	BACB28AP06P021		...BUSHING		1
290	BACR15BA3AD		...RIVET- (SIZE DETERMINE ON INST)		4
295	BACN10JP08BCM		DELETED		
295A	BRM300C08M		...NUTPLATE- (V52828) (SPEC BACN10JP08CCM) (OPT MK3001-08BAC (V15653)) (OPT NS103199SE82 (V80539)) (OPT T8082C832 (V11815)) (OPT VN203D1-82 (V92215)) (OPT 109A9205M82 (V72962))		1

71-11-31

ILLUSTRATED PARTS LIST

01.1 Page 1072K

Jul 01/03

FIG. & ITEM	PART NO.	AIRLINE PART NUMBER	NOMENCLATURE 1234567	EFF CODE	QTY PER ASSY
02- 296	109F9201M82		...NUTPLATE- (V72962) (SPEC BACN10JN08CM) (OPT BRFM20C08M (V52828)) (OPT MF1001-08BAC (V15653)) (OPT NS103218SE82 (V80539)) (OPT VN252D82 (V92215)) (OPT 109F9201M82 (V72962)) (OPT T8125C08C (V11815))		1
297	315T3308-17		DELETED		
-297A	315T3308-13		DELETED		
297C	315T3308-27		...PAD- (USED ON ITEM 270)	A,D,E ,J, L-P	1
-297D	315T3308-23		...PAD- (USED ON ITEM 270B)	A,D,E ,J, L-P	1
-298	315T3308-18		DELETED		
-298A	315T3308-14		DELETED		
-298C	315T3308-28		...PAD- (USED ON ITEM 275)	B,C	1
-298D	315T3308-24		...PAD- (USED ON ITEM 275B)	B,C	1
299	315T3308-19		DELETED		
299A	315T3308-29		...SHIM- (USED ON ITEMS 270, 275)		1

71-11-31

 ILLUSTRATED PARTS LIST  
 01.1 Page 1072L  
 Jul 01/03




**BOEING**  
 COMPONENT  
 MAINTENANCE MANUAL

FIG. & ITEM	PART NO.	AIRLINE PART NUMBER	NOMENCLATURE 1234567	EFF CODE	QTY PER ASSY
02- -299B	315T3308-35		...SHIM- (USED ON ITEMS 270B, 275B)		1
300	HL10VAZ6-20		..BOLT- (V60516) (SPEC BACB30MY6K20) (OPT B30MY6K20 (V97928))		4
302	HL10VAZ6-21		..BOLT- (V60516) (SPEC BACB30MY6K21) (OPT B30MY6K21 (V97928))		4
305	HL79-6		..COLLAR- (V5M902) (SPEC BACC30M6) (OPT HL79-6 (V73197)) (OPT HL79-6 (V92215)) (OPT 66014-6 (V56878)) (OPT HL79-6 (V56878))		8
310	315T3310-5		..PAD ASSY-CPRSN	A,D,E J L-P	1
-315 320	315T3310-6 BACR15BA3AD		..PAD ASSY-CPRSN ...RIVET- (SIZE DETERMINE ON INST)	B,C	1 6

71-11-31

 ILLUSTRATED PARTS LIST  
 01.1 Page 1072M  
 Jul 01/03

FIG. & ITEM	PART NO.	AIRLINE PART NUMBER	NOMENCLATURE 1234567	EFF CODE	QTY PER ASSY
02-325	109F9201M82		...NUTPLATE- (V72962) (SPEC BACN10JN08CM) (OPT BRFM20C08M (V52828)) (OPT MF1001-08BAC (V15653)) (OPT NS103218SE82 (V80539)) (OPT VN252D82 (V92215)) (OPT 109F9201M82 (V72962)) (OPT T8125C08C (V11815))		3
330	315T3310-7		...PAD	A,D,E	1
-335	315T3310-8		...PAD	J	1
340	HL13VAZ6-22		..BOLT- (V56878) (SPEC BACB30NY6K22) (OPT HL13VAZ6-22 (V73197)) (OPT HL13VAZ6-22 (V92215)) (OPT HL13VAZ6-22 (V97928)) (OPT L801-6K22 (V06725)) (OPT HL13VAZ6-22 (V08524)) (OPT HL13V22 (V06725)) (OPT HL13VAZ6-22 (V17446))	L-P B,C	1 1

71-11-31

 ILLUSTRATED PARTS LIST  
 01.1 Page 1072N  
 Jul 01/03


**BOEING**  
 COMPONENT  
 MAINTENANCE MANUAL

FIG. & ITEM	PART NO.	AIRLINE PART NUMBER	NOMENCLATURE 1234567	EFF CODE	QTY PER ASSY
02-345	HL13VAZ6-21		..BOLT- (V56878) (SPEC BACB30NY6K21) (OPT HL13VAZ6-21 (V73197)) (OPT HL13VAZ6-21 (V92215)) (OPT HL13VAZ6-21 (V97928)) (OPT L801-6K21 (V06725)) (OPT HL13VAZ6-21 (V08524)) (OPT HL13V21 (V06725)) (OPT HL13VAZ6-21 (V17446))		1
350	HL1187DUW6		..COLLAR- (V5M902) (SPEC BACC30X6SW) (OPT HL87DUW6 (V73197)) (OPT HL87DUW6 (V92215)) (OPT HL1187DUW6 (V56878)) (OPT HL1187DUW6 (V92215)) (OPT HL87DUW6 (V56878)) (OPT HL1187DUW6 (V73197))		2
355	HL10VAZ6-16		..BOLT- (V60516) (SPEC BACB30MY6K16) (OPT B30MY6K16 (V97928))		1
360	L8006-15		..BOLT- (V06725) (SPEC BACB30MY6K15) (OPT HL10VAZ6-15 (VOPTK6))		1

71-11-31

ILLUSTRATED PARTS LIST

01.1 Page 10720

Jul 01/03

FIG. & ITEM	PART NO.	AIRLINE PART NUMBER	NOMENCLATURE 1234567	EFF CODE	QTY PER ASSY
02-365	HL82-6APBW		..COLLAR- (V5M902) (SPEC BACC30AG6) (OPT HL82-6APBW (V92215)) (OPT HL82-6APBW (V56878)) (OPT HL82-6APBW (V73197))		2
370	315T3309-1		..PAD ASSY-CPRSN	A,D,E ,J, L-P	1
-375	315T3309-2		..PAD ASSY-CPRSN	B,C	1
380	BACR15BA3AD		...RIVET-		4
385	BRM200C08M		...NUTPLATE- (V52828) (SPEC BACN10JP08ACM) (OPT MK1001-08BAC (V15653)) (OPT NS103197SE82 (V80539)) (OPT T8080C832 (V11815)) (OPT VN202D1-82 (V92215)) (OPT 109A9201M82 (V72962))		2
390	315T3309-3		...PAD	A,D,E ,J, L-P	1
-395	315T3309-4		...PAD	B,C	1
-500	315T3302-5		..TRACK ASSY-UPR (USED ON ITEMS 6A, 6C, 6D, 6F)	A,D,E ,J, L-P	1

71-11-31

 ILLUSTRATED PARTS LIST  
 01.1 Page 1072P  
 Jul 01/03


**BOEING**  
 COMPONENT  
 MAINTENANCE MANUAL

FIG. & ITEM	PART NO.	AIRLINE PART NUMBER	NOMENCLATURE 1234567	EFF CODE	QTY PER ASSY
02- -505	315T3302-6		..TRACK ASSY-UPR (USED ON ITEMS 7A, 7C, 7D, 7F)	B,C	1
507	315T3317-1		...RETAINER-LINER (ITEMS 507, 516 AND 535 OPT TO ITEMS 155A, 170 AND 532)		1
-510	315T3257-1		...RETAINER-PIN (ITEMS 507, 516 AND 535 OPT TO ITEMS 510, 515 AND 532)		1
-515	315T3257-2		...PIN- (ITEMS 507, 516 AND 535 OPT TO ITEMS 510, 515 AND 532)		1
516	NAS623-3-26		...SCREW- (ITEMS 507, 516 AND 535 OPT TO ITEMS 510, 515 AND 532)		1
-520	AN960PD10L		...WASHER		1
-525	NAS6703H12		...BOLT		1
-530	BACB30LL3-3		...BOLT		1
532	NAS6703H12		...BOLT- (ITEMS 507, 516 AND 535 OPT TO ITEMS 510, 515 AND 532)		1
-535	H10-3BAC		...NUT- (V15653) (SPEC BACN10JC3) (OPT NS202101-02 (V80539)) (OPT RMLH9075-3W (V72962)) (OPT T6S1032J (V71087)) (OPT VN303A02 (V92215)) (OPT 96-02 (V80539)) (OPT BRH10A3 (V52828)) (ITEMS 507, 516 AND 535 OPT TO ITEMS 510, 515 AND 532)		1

71-11-31

ILLUSTRATED PARTS LIST

01.1 Page 1072Q

Jul 01/03

FIG. & ITEM	PART NO.	AIRLINE PART NUMBER	NOMENCLATURE 1234567	EFF CODE	QTY PER ASSY
02- -540	315T3415-8		...LINER	A,D,E ,J, L-P	1
-545	315T3415-9		...LINER	B,C	1
-550	315T3302-7		...TRACK	A,D,E ,J, L-P	1
-555	315T3302-8		...TRACK	B,C	1
560	BACB30NM3K3		..BOLT-*(1) (USED WITH ITEMS 565, 570)		3
565	AN960PD10L		..WASHER-*(1) (USED WITH ITEMS 560, 570)		3
570	BRM200A3		..NUTPLATE-*(1) (V52828) (SPEC BACN10JP3A) (OPT MK1000-3BAC (V15653)) (OPT NS103197-02 (V80539)) (OPT RMA9201M3 (V72962)) (OPT T8076S1032 (V11815)) (OPT VN202A1-02 (V92215)) (USED WITH ITEMS 560, 565)		3

71-11-31

 ILLUSTRATED PARTS LIST  
 01.1 Page 1072R  
 Jul 01/03

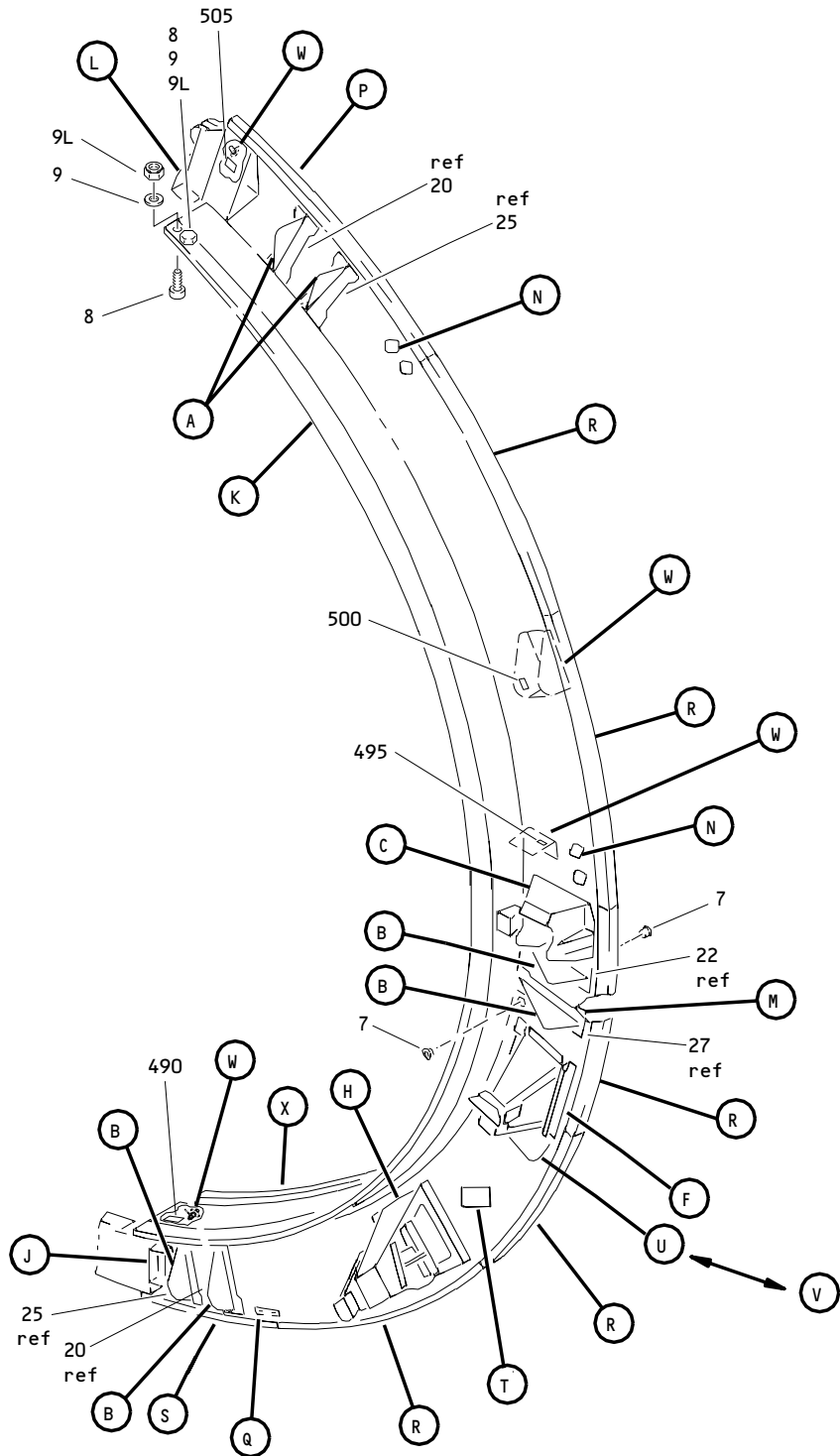

**BOEING**  
 COMPONENT  
 MAINTENANCE MANUAL

FIG. & ITEM	PART NO.	AIRLINE PART NUMBER	NOMENCLATURE 1234567	EFF CODE	QTY PER ASSY
02-575	PLT1001-5-2		..BOLT-*(2) (V92215) (SPEC BACB30CC5-2) (OPT P164-2 (V98524)) (OPT PLT1001-5-2 (V98524)) (OPT ITEM 575A)		3
-575A	MS21141-0502P		..FASTENER-*(2) (OPT ITEM 575) *(1) USE THESE FASTENERS FOR METAL BULLNOSE. *(2) USE THESE FASTENERS FOR FIBERGLASS BULLNOSE.		3

- Item Not Illustrated

# 71-11-31

ILLUSTRATED PARTS LIST  
 01.1 Page 1072S  
 Jul 01/03



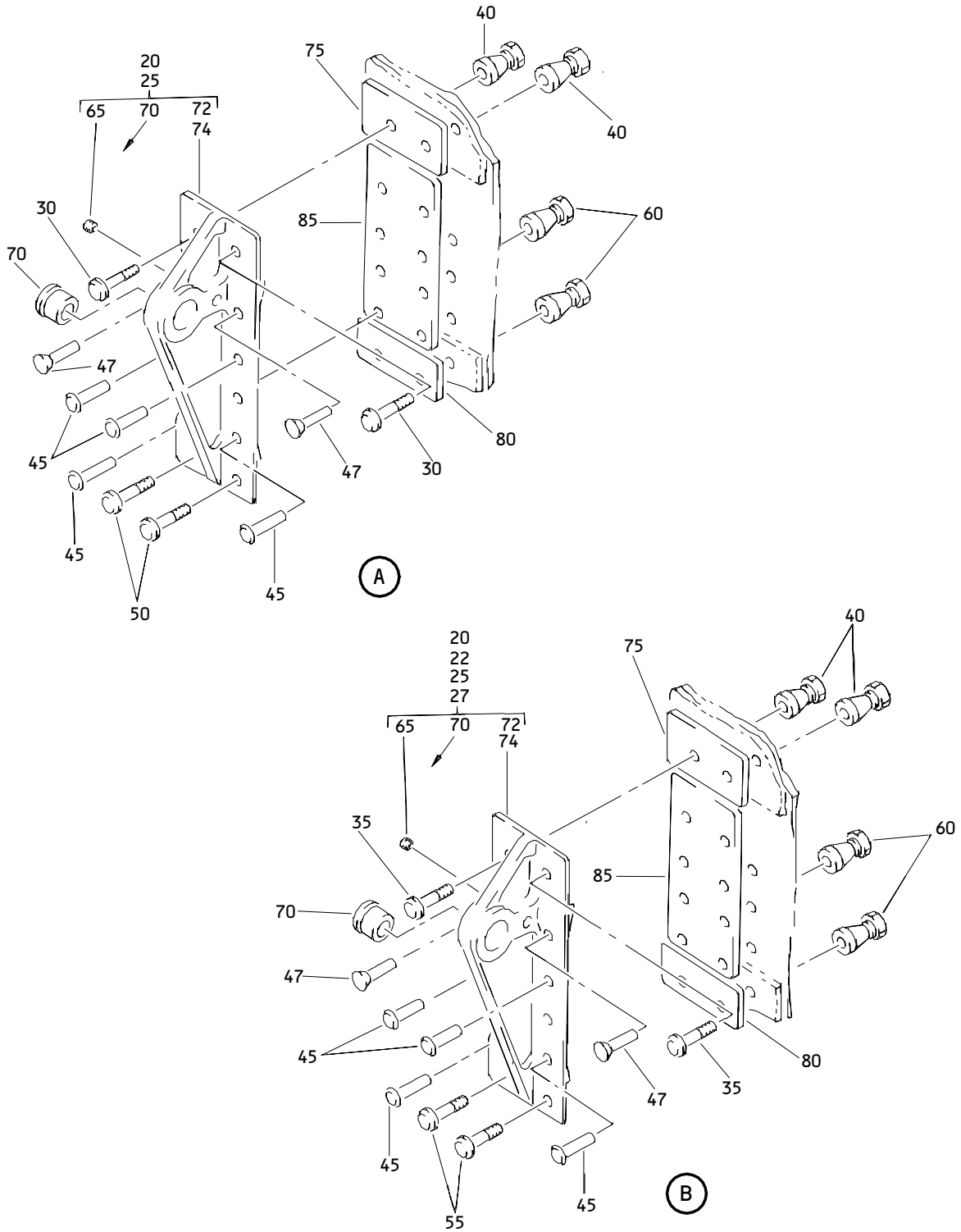
Engine Outboard and Inboard Side Fan Duct Reverser  
JT9D-7R4 Engine Torque Box Installation  
Figure 3 (Sheet 1)

**71-11-31**

ILLUSTRATED PARTS LIST  
01.1 Page 1072U  
Jul 01/03

U10057

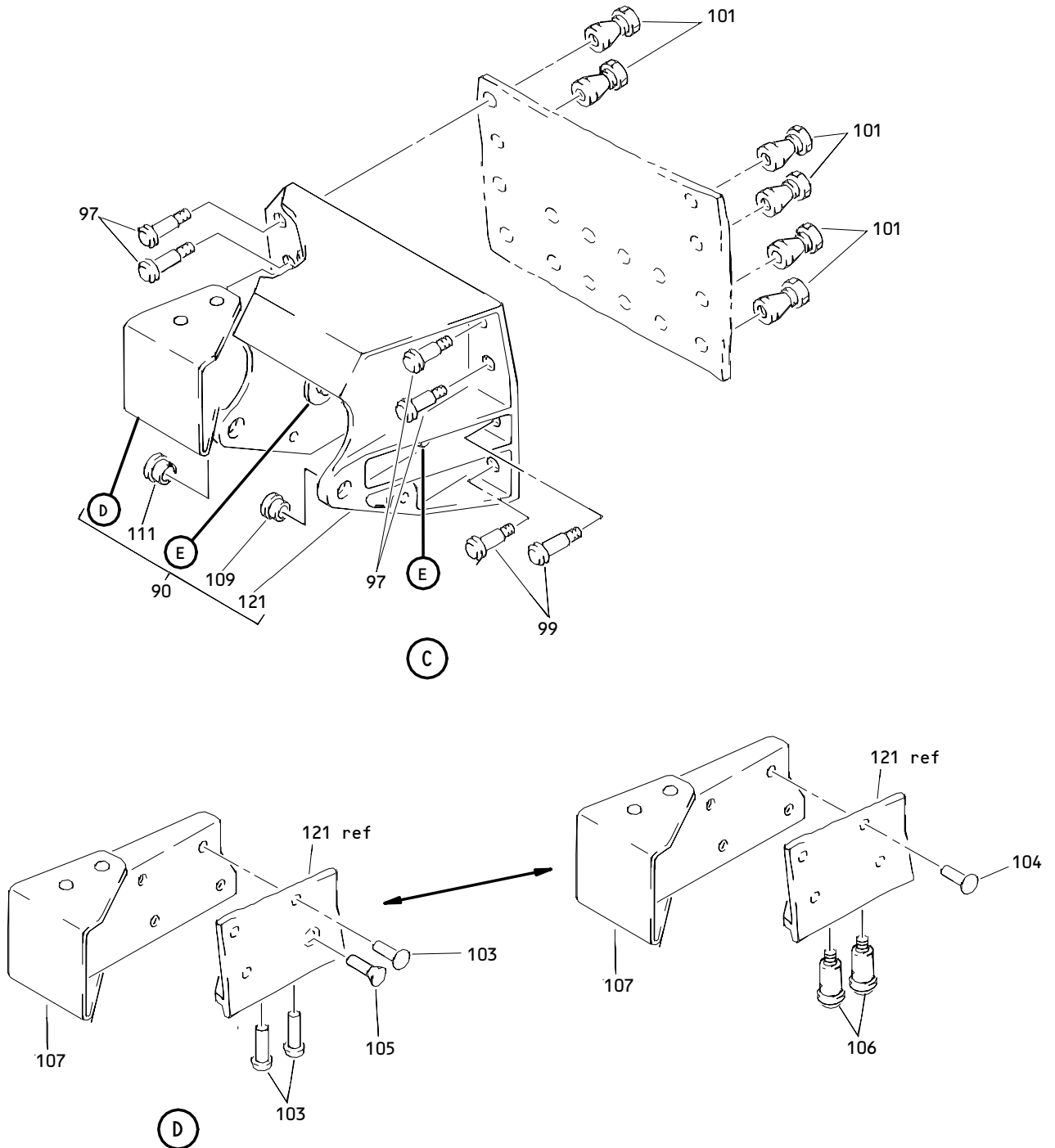




Engine Outboard and Inboard Side Fan Duct Reverser  
 JT9D-7R4 Engine Torque Box Installation  
 Figure 3 (Sheet 2)

**71-11-31**

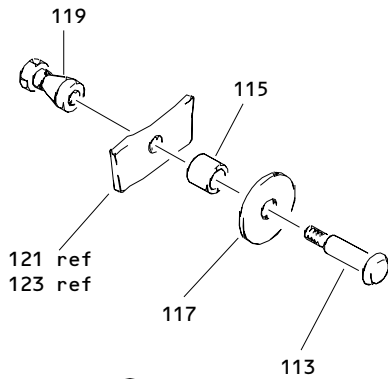
ILLUSTRATED PARTS LIST  
 01.1 Page 1072V  
 Jul 01/03



Engine Outboard and Inboard Side Fan Duct Reverser  
 JT9D-7R4 Engine Torque Box Installation  
 Figure 3 (Sheet 3)

**71-11-31**

ILLUSTRATED PARTS LIST  
 01.1 Page 1072W  
 Jul 01/03



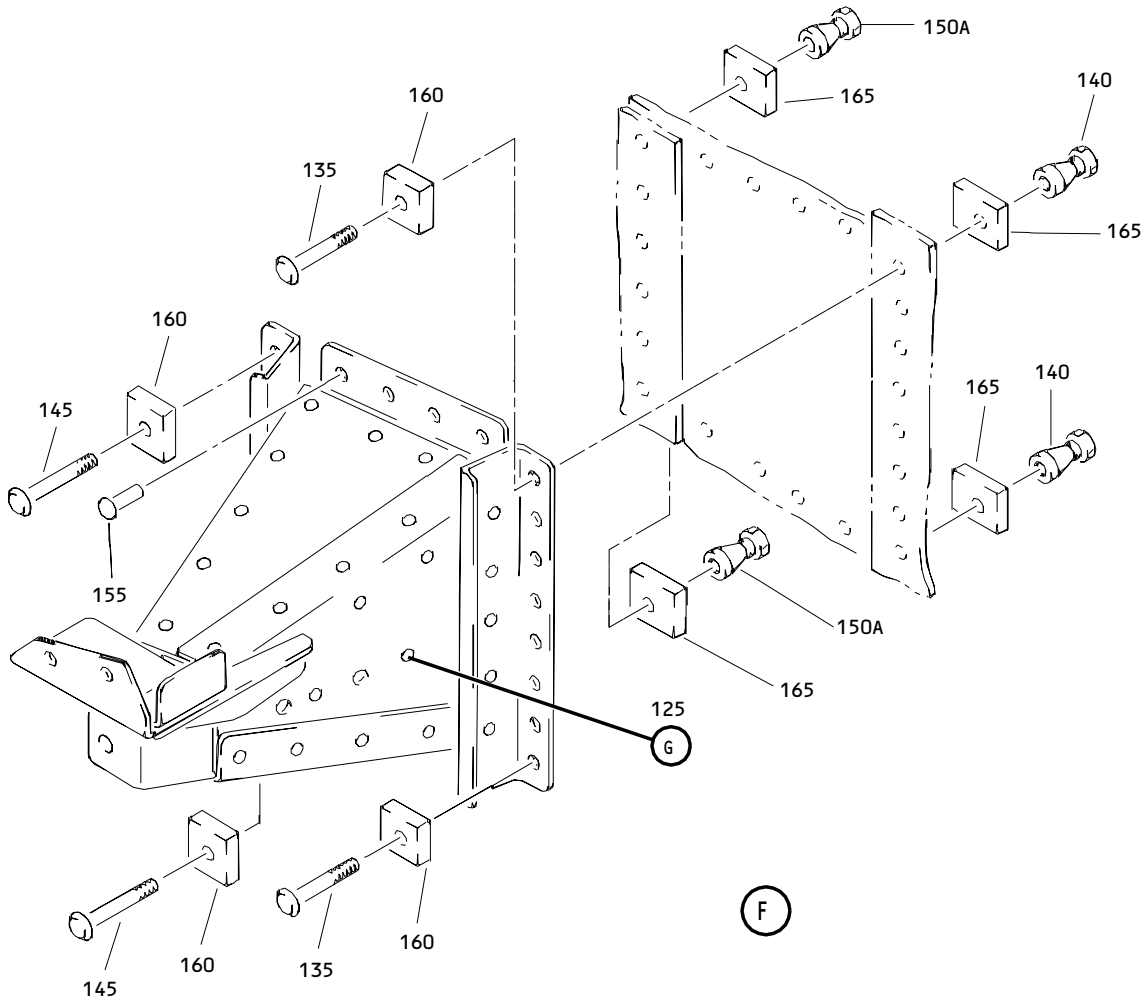
(E)

**WARNING**

DO NOT STAND BETWEEN THE FAN DUCT COWL AND THRUST REVERSER AND THE ENGINE UNLESS THE FAN DUCT COWL AND THRUST REVERSER IS SECURED WITH HOLD OPEN ROD. AN EXPOSED RED BAND WITH THE WORD "UNLOCKED" ON HOLD OPEN ROD INDICATES THE ROD IS NOT LOCKED. THE ROD MUST BE FULLY EXTENDED AND THE RED BAND MUST BE COVERED FOR THE ROD TO BE LOCKED. A SLING (LIFT) MUST BE USED PER MM 78-31-00 IN ADDITION TO HOLD OPEN ROD WHEN HYDRAULIC COWL OPENING SYSTEM IS INOPERATIVE. TOOL A78001 MUST BE USED IN CONJUNCTION WITH HYDRAULIC COWL OPENING SYSTEM WHEN ENGINE IS NOT INSTALLED. SERIOUS OR FATAL INJURY MAY OCCUR IF FAN DUCT COWL AND THRUST REVERSER SWINGS SHUT.

485A

(V)



(F)

Engine Outboard and Inboard Side Fan Duct Reverser  
 JT9D-7R4 Engine Torque Box Installation  
 Figure 3 (Sheet 4)

**71-11-31**

ILLUSTRATED PARTS LIST  
 01.1 Page 1072X  
 Jul 01/03

**BOEING**  
**COMPONENT**  
**MAINTENANCE MANUAL**

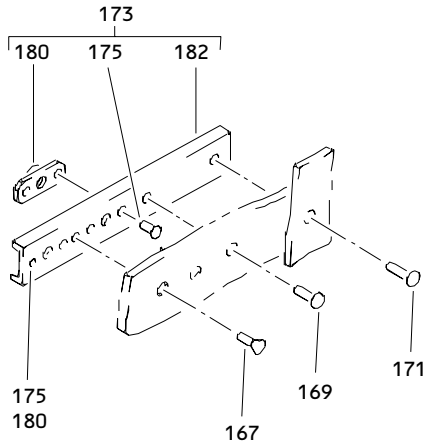
CAUTION

"THE INBOARD THRUST REVERSER HALVES MUST NOT BE OPENED UNLESS INBOARD LEADING EDGE SLATS ARE RETRACTED TO CRUISE POSITION AND PLACARDED AS FOLLOWS:

1. RETRACT INBOARD LEADING EDGE SLATS.
2. ATTACH DO-NOT-OPERATE IDENTIFIER TO FLAP CONTROL LEVER.
3. CHECK THAT ALTERNATE FLAP/SLAT POSITION SELECTOR ON PILOT'S OVERHEAD PANEL P5 IS IN NORM POSITION AND ATTACH DO-NOT-OPERATE IDENTIFIER.

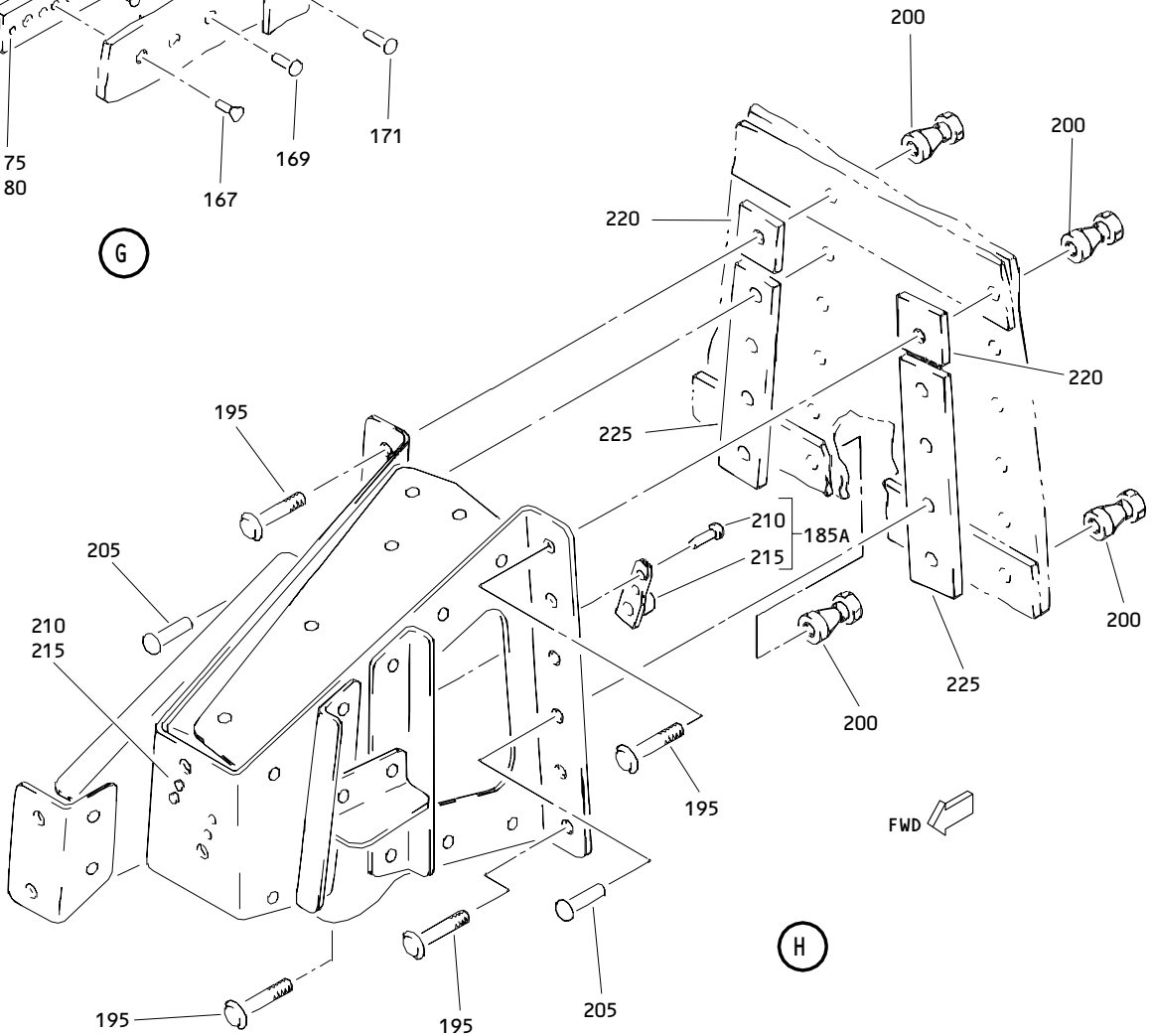
IF EXTENSIVE ENGINE WORK IS BEING ACCOMPLISHED, IT MAY BE DESIRABLE TO DEACTIVATE THE PRIMARY AND ALTERNATE LEADING EDGE DRIVE SYSTEMS PER MM 27-81-00."

480A



G

T

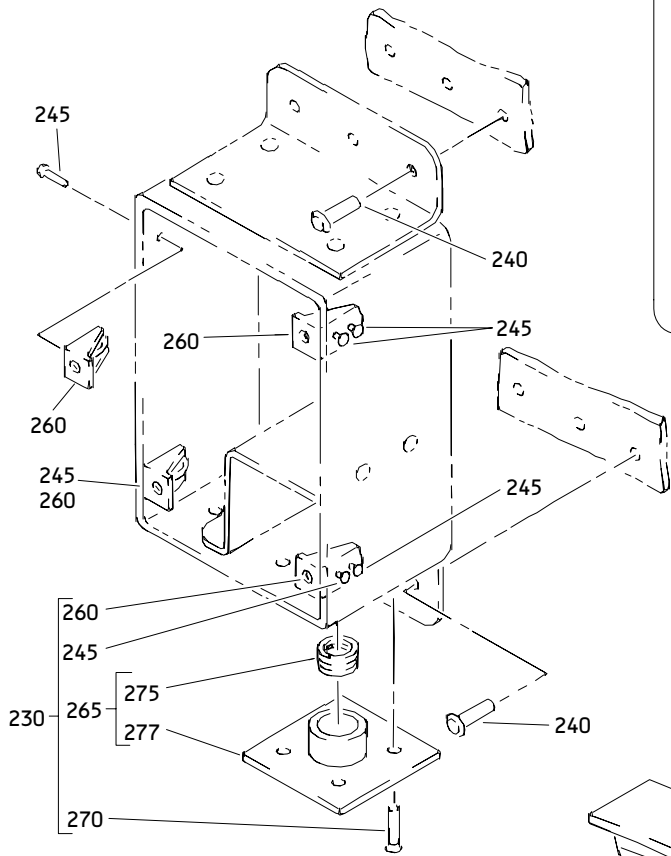


H

Engine Outboard and Inboard Side Fan Duct Reverser  
 JT9D-7R4 Engine Torque Box Installation  
 Figure 3 (Sheet 5)

**71-11-31**

ILLUSTRATED PARTS LIST  
 01.1 Page 1072Y  
 Jul 01/03

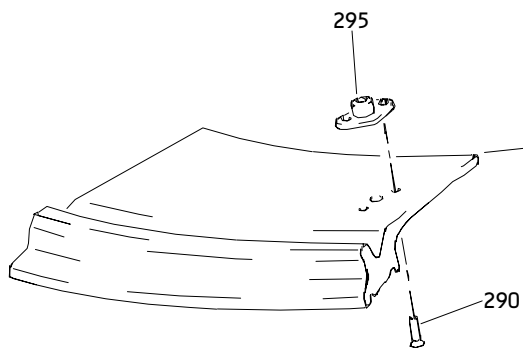
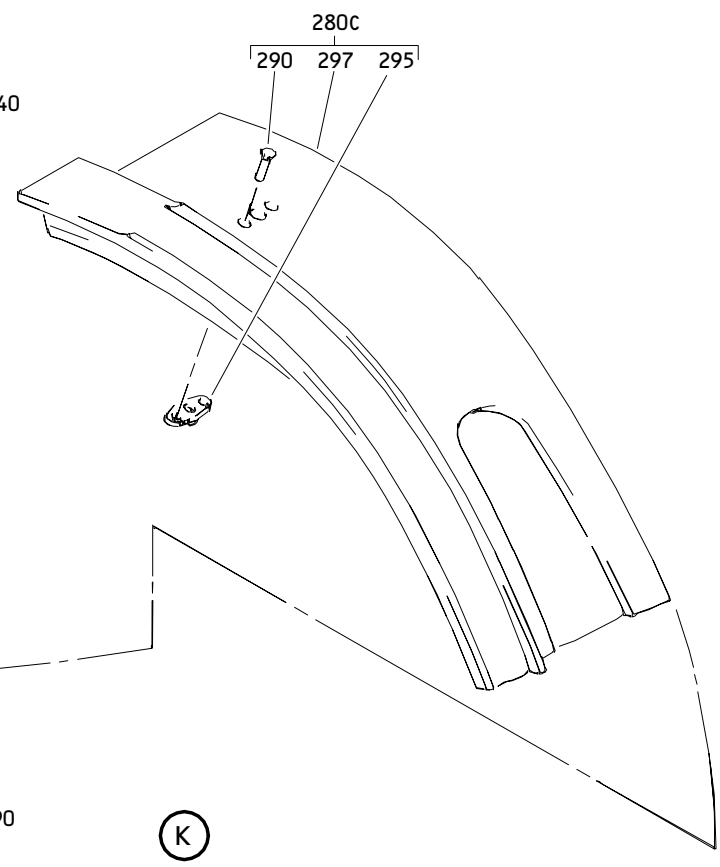


**WARNING**

DO NOT STAND BETWEEN THE FAN DUCT COWL AND THRUST REVERSER AND THE ENGINE UNLESS THE FAN DUCT COWL AND THRUST REVERSER IS SECURED WITH HOLD OPEN ROD. AN EXPOSED RED BAND WITH THE WORD "UNLOCKED" ON HOLD OPEN ROD INDICATES THE ROD IS NOT LOCKED. THE ROD MUST BE FULLY EXTENDED AND THE RED BAND MUST BE COVERED FOR THE ROD TO BE LOCKED. A SLING (LIFT) MUST BE USED PER MM 78-31-00 IN ADDITION TO HOLD OPEN ROD WHEN HYDRAULIC COWL OPENING SYSTEM IS INOPERATIVE. TOOL A78001 MUST BE USED IN CONJUNCTION WITH HYDRAULIC COWL OPENING SYSTEM WHEN ENGINE IS NOT INSTALLED. SERIOUS INJURY OR DEATH MAY OCCUR IF FAN DUCT COWL AND THRUST REVERSER SWINGS SHUT.

485

(U)

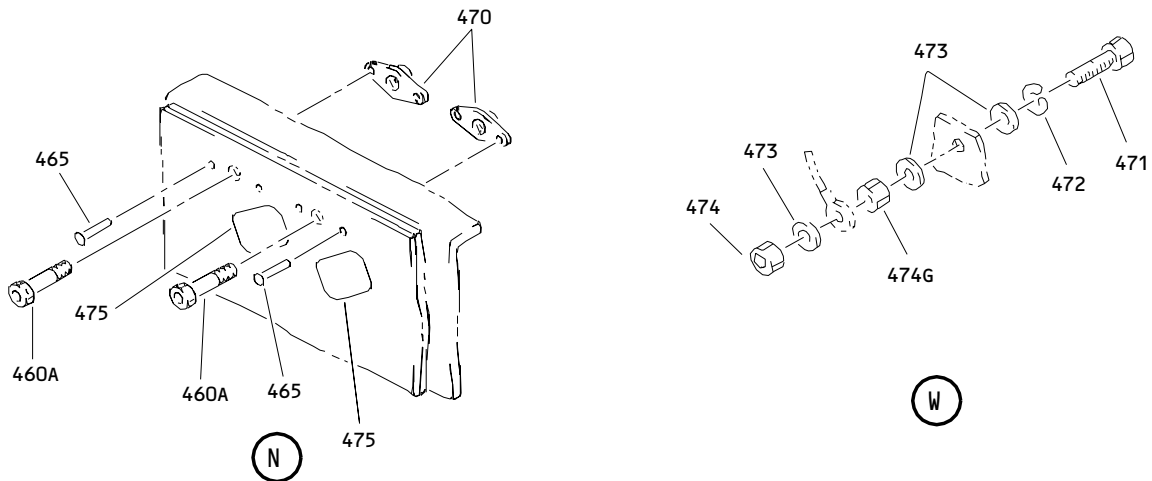
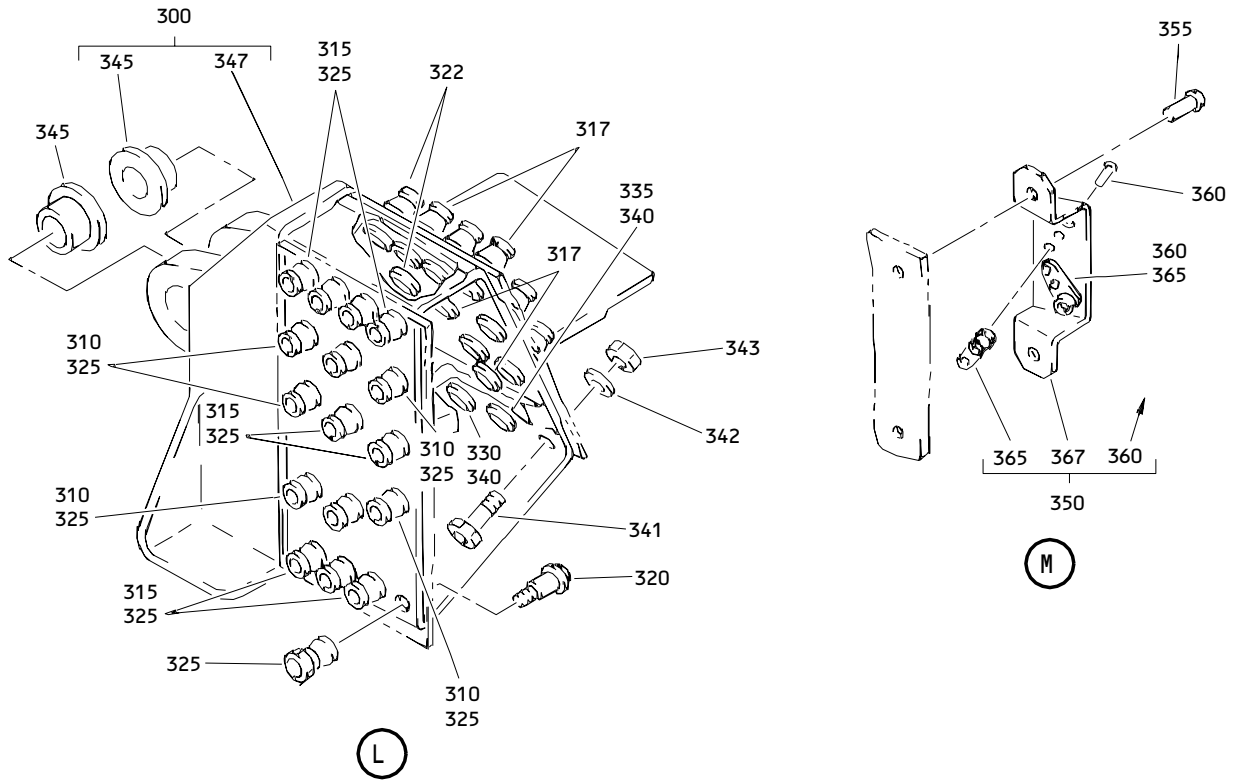


Engine Outboard and Inboard Side Fan Duct Reverser  
 JT9D-7R4 Engine Torque Box Installation  
 Figure 3 (Sheet 6)

**71-11-31**

ILLUSTRATED PARTS LIST  
 01.1 Page 10722  
 Jul 01/03

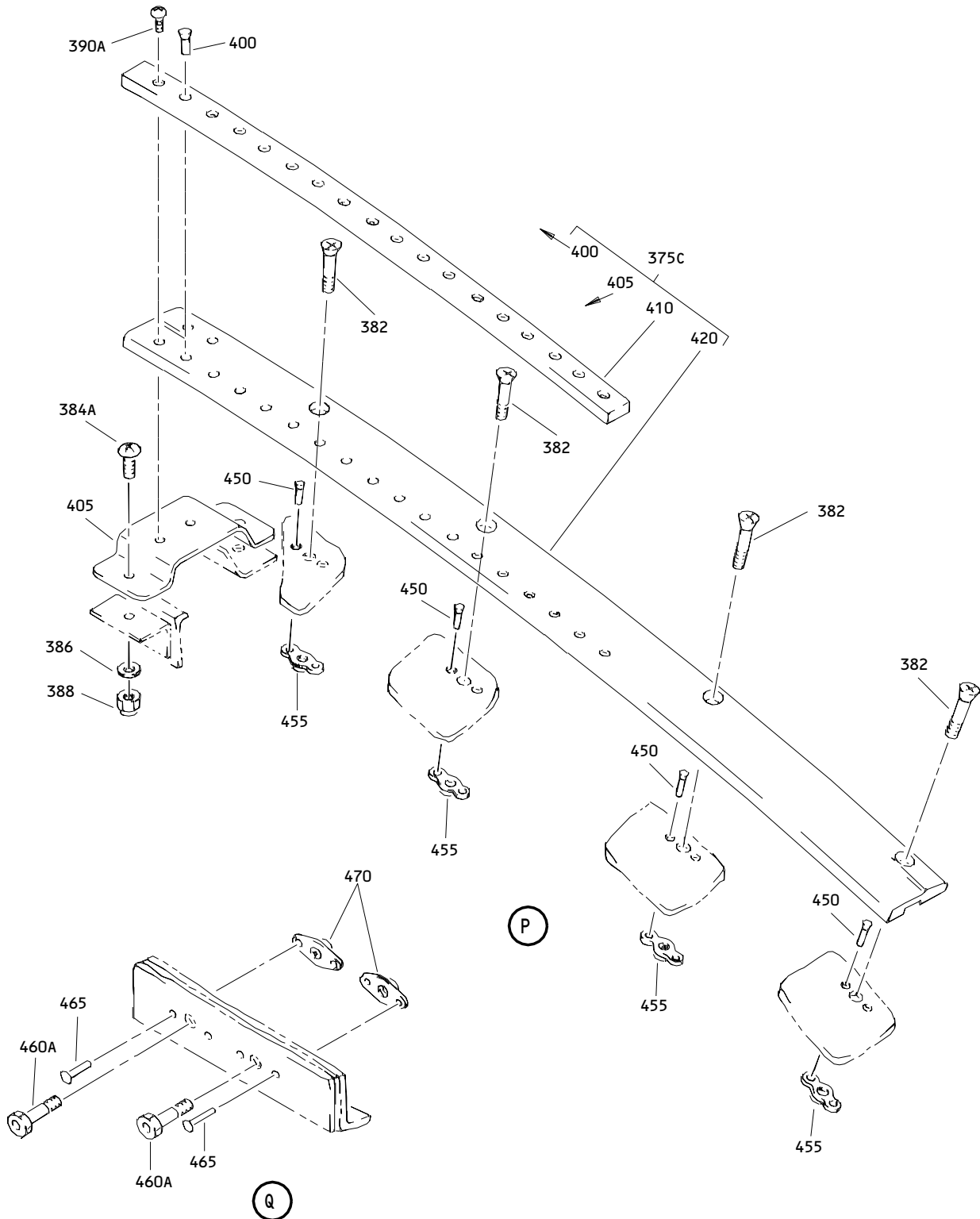
T64665



Engine Outboard and Inboard Side Fan Duct Reverser  
 JT9D-7R4 Engine Torque Box Installation  
 Figure 3 (Sheet 7)

**71-11-31**

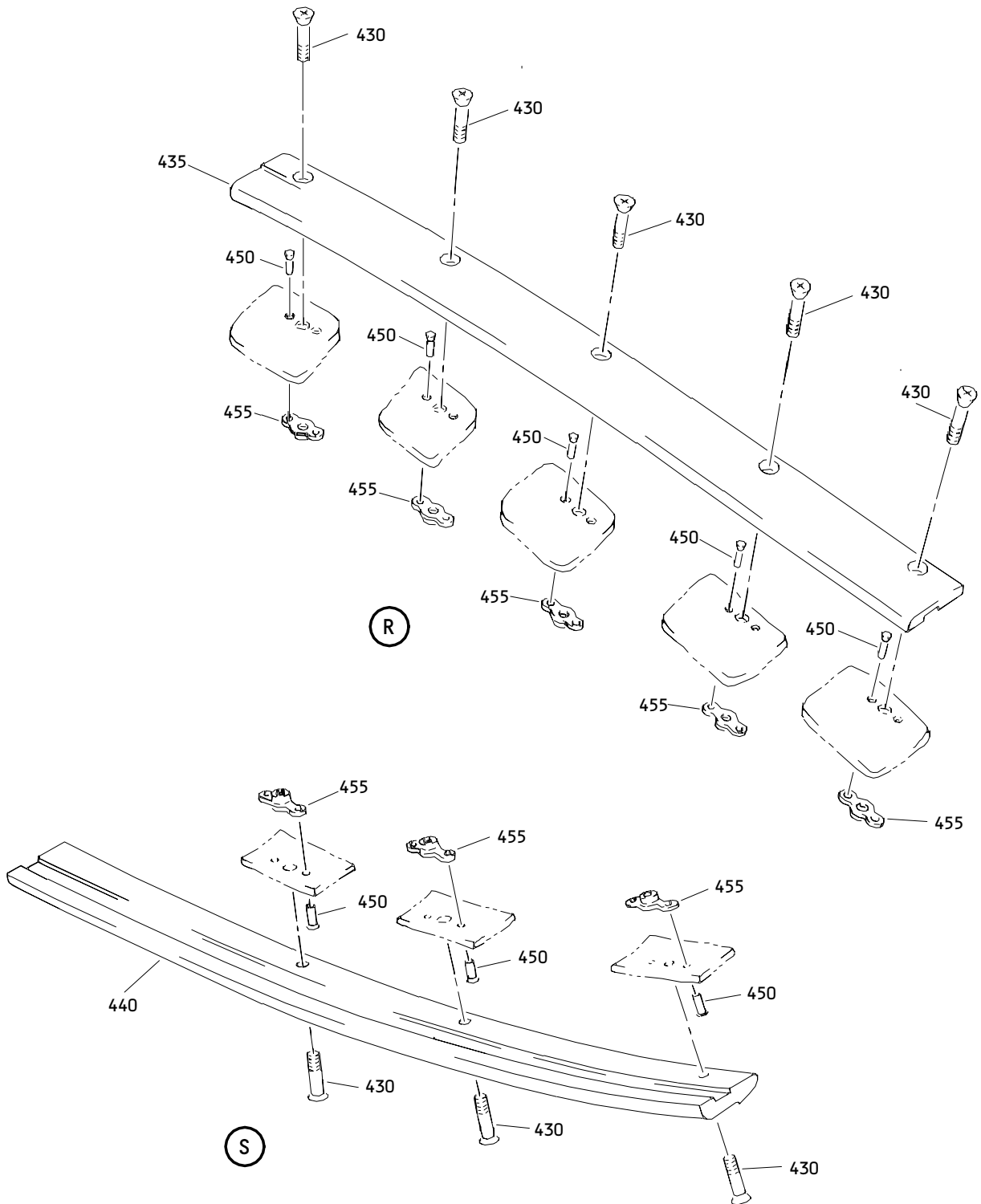
ILLUSTRATED PARTS LIST  
 01.1 Page 1073  
 Jul 01/03



Engine Outboard and Inboard Side Fan Duct Reverser  
 JT9D-7R4 Engine Torque Box Installation  
 Figure 3 (Sheet 8)

**71-11-31**

ILLUSTRATED PARTS LIST  
 01.1 Page 1074  
 Jul 01/03

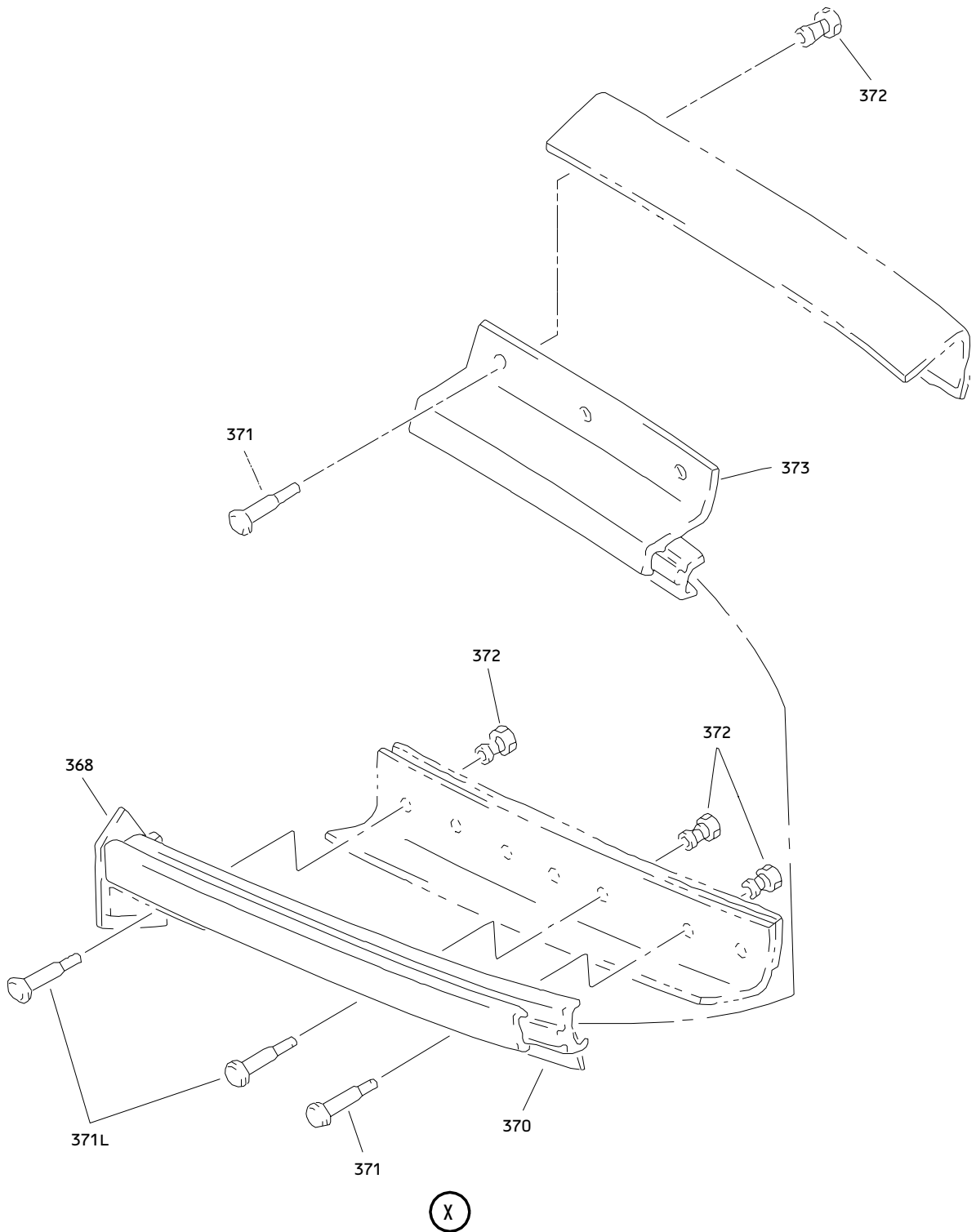


Engine Outboard and Inboard Side Fan Duct Reverser  
JT9D-7R4 Engine Torque Box Installation  
Figure 3 (Sheet 9)

**71-11-31**

ILLUSTRATED PARTS LIST  
01.1 Page 1074A  
Jul 01/03





Engine Outboard and Inboard Side Fan Duct Reverser  
JT9D-7R4 Engine Torque Box Installation  
Figure 3 (Sheet 10)

**71-11-31**

ILLUSTRATED PARTS LIST  
01.1 Page 1074B  
Jul 01/03


**BOEING**  
 COMPONENT  
 MAINTENANCE MANUAL

FIG. & ITEM	PART NO.	AIRLINE PART NUMBER	NOMENCLATURE 1234567	EFF CODE	QTY PER ASSY
03- -1	315T3202-73		BOX INSTL-ENG OUTBD AND INBD SIDE FAN DUCT REVERSER JT9D-7R4 ENG TORQUE LH	A,D,E ,J, L-P	RF
-5	315T3202-74		BOX INSTL-ENG OUTBD AND INBD SIDE FAN DUCT REVERSER JT9D-7R4 ENG TORQUE RH	B,C	RF
7	RR2002-4B6		.GROMMET- (V57268) (SPEC BACG20AF4B6) (OPT H4B6 (V74687)) (OPT SZ6924-4B6 (V95272)) (OPT 701-4B6 (V07096)) (OPT E4B6 (V60980)) (OPT G6940-4B6 (V75345)) (OPT ITEM 7A)		2
-7A	RR2002-4B6A		.GROMMET- (V57268) (SPEC BACG20AF4B6A) (OPT G6940-4B6A (V75345)) (OPT SZ6924-4B6A (V95272)) (OPT 701-4B6A (V07096)) (OPT E4B6A (V60980)) (OPT H4B6A (V60980)) (OPT ITEM 7A)		2

71-11-31

 ILLUSTRATED PARTS LIST  
 01.1 Page 1074C  
 Jul 01/03

FIG. & ITEM	PART NO.	AIRLINE PART NUMBER	NOMENCLATURE 1234567	EFF CODE	QTY PER ASSY
03- 8 9 9L	BACB30LJ3K5 AN960PD10 H10-3BAC		.BOLT .WASHER .NUT- (V15653) (SPEC BACN10JC3) (OPT NS202101-02 (V80539)) (OPT RMLH9075-3W (V72962)) (OPT T6S1032J (V71087)) (OPT VN303A02 (V92215)) (OPT 96-02 (V80539)) (OPT BRH10A3 (V52828))		2 2 2

71-11-31

 ILLUSTRATED PARTS LIST  
 01.1 Page 1074D  
 Jul 01/03


**BOEING**  
 COMPONENT  
 MAINTENANCE MANUAL

FIG. & ITEM	PART NO.	AIRLINE PART NUMBER	NOMENCLATURE 1234567	EFF CODE	QTY PER ASSY
03- -10	315T3202-5001		.BOX INSTL-TORQUE (LIMITED)	A,D,E ,J, L-P	1
-10A	315T3202-5003		.BOX INSTL-TORQUE (LIMITED)	A,D,E ,J, L-P	1
-10B	315T3202-5005		.BOX INSTL-TORQUE (LIMITED)	A,D,E ,J, L-P	1
-10C	315T3202-5011		.BOX INSTL-TORQUE (LIMITED)	A,D,E ,J, L-P	1
-10D	315T3202-5009		.BOX INSTL-TORQUE (LIMITED)	A,D,E ,J, L-P	1
-10E	315T3202-5013		.BOX INSTL-TORQUE (LIMITED)	A,D,E ,J, L-P	1
-10F	315T3202-5017		.BOX INSTL-TORQUE (LIMITED)	A,D,E ,J, L-P	1
-10G	315T3202-5019		.BOX INSTL-TORQUE (LIMITED)	A,D,E ,J, L-P	1
-10H	315T3202-5023		.BOX INSTL-TORQUE (LIMITED)	A,D,E ,J, L-P	1
-10J	315T3202-5033		.BOX INSTL-TORQUE (LIMITED)	A,D,E ,J, L-P	1

71-11-31

 ILLUSTRATED PARTS LIST  
 01.1 Page 1074E  
 Jul 01/03

FIG. & ITEM	PART NO.	AIRLINE PART NUMBER	NOMENCLATURE 1234567	EFF CODE	QTY PER ASSY
03- -10K	315T3202-5037		.BOX INSTL-TORQUE (LIMITED)	A,D,E ,J, L-P	1
-15	315T3202-5002		.BOX INSTL-TORQUE (LIMITED)	B,C	1
-15A	315T3202-5004		.BOX INSTL-TORQUE (LIMITED)	B,C	1
-15B	315T3202-5008		.BOX INSTL-TORQUE (LIMITED)	B,C	1
-15C	315T3202-5006		.BOX INSTL-TORQUE (LIMITED)	B,C	1
-15D	315T3202-5012		.BOX INSTL-TORQUE (LIMITED)	B,C	1
-15E	315T3202-5010		.BOX INSTL-TORQUE (LIMITED)	B,C	1
-15F	315T3202-5018		.BOX INSTL-TORQUE (LIMITED)	B,C	1
-15G	315T3202-5024		.BOX INSTL-TORQUE (LIMITED)	B,C	1
-15H	315T3202-5034		.BOX INSTL-TORQUE (LIMITED)	B,C	1
-15J	315T3202-5038		.BOX INSTL-TORQUE (LIMITED)	B,C	1
20	315T3634-2		..FITTING ASSY-ACTR ATTACH		2
22	315T3634-2		..FITTING ASSY-ACTR ATTACH (USED ON ITEMS 10, 10A, 10B, 10C, 10D, 10E, 10F, 15, 15A, 15B, 15C, 15D, 15E)		1
-22A	315T3634-10		..FITTING ASSY-ACTR ATTACH (USED ON ITEMS 10G, 10H, 10J, 10K)	A,D,E ,J, L-P	1
25	315T3634-1		..FITTING ASSY-ACTR ATTACH		2
27	315T3634-1		..FITTING ASSY-ACTR ATTACH (USED ON ITEMS 10, 10A, 10B, 10C, 10D, 10E, 10F, 15, 15A, 15B, 15C, 15D, 15E)		1
-27A	315T3634-11		..FITTING ASSY-ACTR ATTACH (USED ON ITEMS 15F, 15G, 15H, 15K)	B,C	1

71-11-31

 ILLUSTRATED PARTS LIST  
 01.1 Page 1074F  
 Jul 01/03


**BOEING**  
 COMPONENT  
 MAINTENANCE MANUAL

FIG. & ITEM	PART NO.	AIRLINE PART NUMBER	NOMENCLATURE 1234567	EFF CODE	QTY PER ASSY
03-					
30	HL10VAZ8-11		ATTACHING PARTS ..BOLT- (V60516) (SPEC BACB30MY8K11) (OPT B30MY8K11 (V97928))		4
35	HL10VAZ8-10		..BOLT- (V60516) (SPEC BACB30MY8K10) (OPT B30MY8K10 (V97928))		8
40	HL79-8		..COLLAR- (V5M902) (SPEC BACC30M8) (OPT HL79-8 (V73197)) (OPT HL79-8 (V92215)) (OPT 66014-8 (V56878)) (OPT HL79-8 (V56878))		12
45	BACR15FT6KE		..RIVET- (SIZE DETERMINE ON INST)		36
47	BACR15CE6KE		..RIVET- (SIZE DETERMINE ON INST)		12
50	HL10VAZ6-9		..BOLT- (V60516) (SPEC BACB30MY6K9) (OPT B30MY6K9 (V97928))		4

71-11-31

 ILLUSTRATED PARTS LIST  
 01.1 Page 1074G  
 Jul 01/03

FIG. & ITEM	PART NO.	AIRLINE PART NUMBER	NOMENCLATURE 1234567	EFF CODE	QTY PER ASSY
03-55	HL10VAZ6-8		..BOLT- (V60516) (SPEC BACB30MY6K8) (OPT B30MY6K8 (V97928))		8
60	HL79-6		..COLLAR- (V5M902) (SPEC BACC30M6) (OPT HL79-6 (V73197)) (OPT HL79-6 (V92215)) (OPT 66014-6 (V56878)) (OPT HL79-6 (V56878)) -----*		12
65	MS21209F4-10P		...INSERT		1
70	BACB28AP07P038		...BUSHING		1
72	315T3634-4		...FITTING- (USED ON ITEMS 20, 22)		1
-72A	315T3634-12		...FITTING- (USED ON ITEM 27A)	A,D,E ,J, L-P	1
74	315T3634-3		...FITTING- (USED ON ITEMS 25, 27)		1
-74A	315T3634-13		...FITTING- (USED ON ITEM 27A)	B,C	1
75	BACS40R11B22F		..SHIM		6

71-11-31

 ILLUSTRATED PARTS LIST  
 01.1 Page 1074H  
 Jul 01/03

**BOEING**  
 COMPONENT  
 MAINTENANCE MANUAL

FIG. & ITEM	PART NO.	AIRLINE PART NUMBER	NOMENCLATURE 1234567	EFF CODE	QTY PER ASSY
03-80	BACS40R09B21F		..SHIM		6
85	BACS40R17B33F		..SHIM		6
90	315T3730-7		..FITTING ASSY-SPRT	A,D,E ,J, L-P	1
-95	315T3730-2		..FITTING ASSY-SPRT ATTACHING PARTS	B,C	1
97	HL1012AZ6-6		..BOLT- (V97928) (SPEC BACB30NX6K6) (OPT HL12VAZ6-6 (V73197)) (OPT HL12VAZ6-6 (V92215)) (OPT HL12VAZ6-6 (V97928)) (OPT L802-6K6 (V06725)) (OPT HL12VAZ6-6 (V56878)) (OPT HL1012AZ6-6 (V0PTK6)) (OPT HL1012AZ6-6 (V06725)) (OPT HL1012AZ6-6 (V06950)) (OPT HL1012AZ6-6 (V17446)) (OPT HL1012AZ6-6 (V56878)) (OPT HL1012AZ6-6 (V60516)) (OPT HL1012AZ6-6 (V73197))		4

**71-11-31**

ILLUSTRATED PARTS LIST  
 01.1 Page 1074I  
 Jul 01/03



FIG. & ITEM	PART NO.	AIRLINE PART NUMBER	NOMENCLATURE 1234567	EFF CODE	QTY PER ASSY
03-99	HL1012AZ6-8		..BOLT- (V97928) (SPEC BACB30NX6K8) (OPT HL12VAZ6-8 (V73197)) (OPT HL12VAZ6-8 (V92215)) (OPT HL12VAZ6-8 (V97928)) (OPT L802-6K8 (V06725)) (OPT HL12VAZ6-8 (V56878)) (OPT HL1012AZ6-8 (V0PTK6)) (OPT HL1012AZ6-8 (V06725)) (OPT HL1012AZ6-8 (V06950)) (OPT HL1012AZ6-8 (V17446)) (OPT HL1012AZ6-8 (V56878)) (OPT HL1012AZ6-8 (V60516)) (OPT HL1012AZ6-8 (V73197))		12
101	HL1187DU6		..COLLAR- (V5M902) (SPEC BACC30X6S) (OPT HL87DU6 (V73197)) (OPT HL87DU6 (V92215)) (OPT HL1187DU6 (V56878)) (OPT HL1187DU6 (V92215)) (OPT HL87DU6 (V56878)) (OPT HL1187DU6 (V73197)) (OPT ITEM 101A)		16

71-11-31

ILLUSTRATED PARTS LIST

01.1 Page 1074J

Jul 01/03


**BOEING**  
 COMPONENT  
 MAINTENANCE MANUAL

FIG. & ITEM	PART NO.	AIRLINE PART NUMBER	NOMENCLATURE 1234567	EFF CODE	QTY PER ASSY
03- -101A	HL1187-6		..COLLAR- (V5M902) (SPEC BACC30X6) (OPT HL87-6 (V73197)) (OPT HL87-6 (V92215)) (OPT HL1187-6 (V56878)) (OPT HL1187-6 (V92215)) (OPT HL87-6 (V56878)) (OPT HL1187-6 (V73197)) (OPT ITEM 101) -----*		16
103	BACR15BB5AD		...RIVET- (SIZE DETERMINE ON INST)	B,C	6
104	BACR15BB5AD		...RIVET- (SIZE DETERMINE ON INST)	A,D,E ,J, L-P	4
105 106	BACR15BA5KE HL441UC5-4		DELETED ...BOLT- (V60516) (SPEC BACB30FM5A4) (OPT HL440UC5-4 (V73197)) (OPT HL440UC5-4 (V92215)) (OPT HL440UC5-4 (V97928)) (OPT HL440UC5-4 (V80539)) (OPT WC130-5-4 (V60516)) (OPT 67067-5A4 (V56878)) (OPT L8055A4 (V06725)) (OPT HL440UC5-4 (V56878))	A,D,E ,J, L-P	2
107	315T3633-112		...BRACKET ASSY- (USED ON ITEM 90)	A,D,E ,J, L-P	1

71-11-31

 ILLUSTRATED PARTS LIST  
 01.1 Page 1074K  
 Jul 01/03

FIG. & ITEM	PART NO.	AIRLINE PART NUMBER	NOMENCLATURE 1234567	EFF CODE	QTY PER ASSY
03-					
109	BACB28AP04P022		...BUSHING		1
111	BACB28AP06P022		...BUSHING		1
113	HL1012AZ6-6		...BOLT- (V97928) (SPEC BACB30NX6K6) (OPT HL12VAZ6-6 (V73197)) (OPT HL12VAZ6-6 (V92215)) (OPT HL12VAZ6-6 (V97928)) (OPT L802-6K6 (V06725)) (OPT HL12VAZ6-6 (V56878)) (OPT HL1012AZ6-6 (V0PTK6)) (OPT HL1012AZ6-6 (V06725)) (OPT HL1012AZ6-6 (V06950)) (OPT HL1012AZ6-6 (V17446)) (OPT HL1012AZ6-6 (V56878)) (OPT HL1012AZ6-6 (V60516)) (OPT HL1012AZ6-6 (V73197))		2
115	NAS43DD3-8		...SPACER		2
117	BACW10P69S		...WASHER		2

71-11-31

 ILLUSTRATED PARTS LIST  
 01.1 Page 1074L  
 Jul 01/03


**BOEING**  
 COMPONENT  
 MAINTENANCE MANUAL

FIG. & ITEM	PART NO.	AIRLINE PART NUMBER	NOMENCLATURE 1234567	EFF CODE	QTY PER ASSY
03-119	HL1187DUW6		...COLLAR- (V5M902) (SPEC BACC30X6SW) (OPT HL87DUW6 (V73197)) (OPT HL87DUW6 (V92215)) (OPT HL1187DUW6 (V56878)) (OPT HL1187DUW6 (V92215)) (OPT HL87DUW6 (V56878)) (OPT HL1187DUW6 (V73197))		2
121	315T3730-3		...BRACKET	A,D,E ,J, L-P	1
-123	315T3730-4		...BRACKET	B,C	1
125	315T3633-113		..BRACKET ASSY	A,D,E ,J, L-P	1
-130	315T3633-114		..BRACKET ASSY ATTACHING PARTS	B,C	1
135	HL10VAZ6-12		..BOLT- (V60516) (SPEC BACB30MY6K12) (OPT B30MY6K12 (V97928))		2

71-11-31

 ILLUSTRATED PARTS LIST  
 01.1 Page 1074M  
 Jul 01/03

FIG. & ITEM	PART NO.	AIRLINE PART NUMBER	NOMENCLATURE 1234567	EFF CODE	QTY PER ASSY
03-140	HL79-6		..COLLAR- (V5M902) (SPEC BACC30M6) (OPT HL79-6 (V73197)) (OPT HL79-6 (V92215)) (OPT 66014-6 (V56878)) (OPT HL79-6 (V56878))		2
145	HL1012AZ6-12		..BOLT- (V97928) (SPEC BACB30NX6K12) (OPT L802-6K12 (V06725)) (OPT HL12VAZ6-12 (V73197)) (OPT HL12VAZ6-12 (V92215)) (OPT HL12VAZ6-12 (V97928)) (OPT HL12VAZ6-12 (V56878)) (OPT HL1012AZ6-12 (V0PTK6)) (OPT HL1012AZ6-12 (V06725)) (OPT HL1012AZ6-12 (V06950)) (OPT HL1012AZ6-12 (V17446)) (OPT HL1012AZ6-12 (V56878)) (OPT HL1012AZ6-12 (V60516)) (OPT HL1012AZ6-12 (V73197))		2

# 71-11-31

 ILLUSTRATED PARTS LIST  
 01.1 Page 1074N  
 Jul 01/03

**BOEING**  
 COMPONENT  
 MAINTENANCE MANUAL

FIG. & ITEM	PART NO.	AIRLINE PART NUMBER	NOMENCLATURE	EFF CODE	QTY PER ASSY
			1234567		
03- 150 150A	BACC30X65 HL1187-6		DELETED ..COLLAR- (V5M902) (SPEC BACC30X6) (OPT HL87-6 (V73197)) (OPT HL87-6 (V92215)) (OPT HL1187-6 (V56878)) (OPT HL1187-6 (V92215)) (OPT HL87-6 (V56878)) (OPT HL1187-6 (V73197)) (OPT ITEM 150B)		2
-150B	HL1187DU6		..COLLAR- (V5M902) (SPEC BACC30X6S) (OPT HL87DU6 (V73197)) (OPT HL87DU6 (V92215)) (OPT HL1187DU6 (V56878)) (OPT HL1187DU6 (V92215)) (OPT HL87DU6 (V56878)) (OPT HL1187DU6 (V73197)) (OPT ITEM 150A)		2

**71-11-31**

ILLUSTRATED PARTS LIST  
 01.1 Page 10740  
 Jul 01/03

FIG. & ITEM	PART NO.	AIRLINE PART NUMBER	NOMENCLATURE 1234567	EFF CODE	QTY PER ASSY
03-					
155	BACR15FT6KE		..RIVET- (SIZE DETERMINE ON INST)		18
160	315T3202-43		..FILLER-RADIUS		4
165	315T3202-44		..FILLER -----*-----		4
167	BACR15CE5KE		...RIVET- (SIZE DETERMINE ON INST)		1
169	BACR15BB5AD		...RIVET- (SIZE DETERMINE ON INST)		1
171	BACR15BB6AD		...RIVET- (SIZE DETERMINE ON INST)		1
173	315T3633-98		...STIFFENER ASSY		1
175	BACR15BA3AD		....RIVET- (SIZE DETERMINE ON INST)		4
180	BRF200C3M		....NUTPLATE- (V52828) (SPEC BACN10JR3CFM) (OPT F5001-3BAC (V15653)) (OPT NS103203SE02 (V80539)) (OPT T8092C1032 (V11815)) (OPT VN152D1-02 (V92215)) (OPT 109F9201-3 (V72962))		2
182	315T3633-99		....STIFFENER		1
185	315T3633-115		DELETED		

71-11-31

 ILLUSTRATED PARTS LIST  
 01.1 Page 1074P  
 Jul 01/03


**BOEING**  
 COMPONENT  
 MAINTENANCE MANUAL

FIG. & ITEM	PART NO.	AIRLINE PART NUMBER	NOMENCLATURE 1234567	EFF CODE	QTY PER ASSY
03-185A	315T3633-139		..BRACKET ASSY- (USED ON ITEMS 10, 10A, 10B, 10C, 10D, 10E, 10F, 10G)	A,D,E ,J, L-P	1
-185B	315T3633-149		..BRACKET ASSY- (USED ON ITEMS 10H, 10J, 10K)	A,D,E ,J, L-P	1
-190	315T3633-116		DELETED		
-190A	315T3633-138		..BRACKET ASSY- (USED ON ITEMS 15, 15A, 15B, 15C, 15D, 15E, 15F)	B,C	1
-190B	315T3633-150		..BRACKET ASSY- (USED ON ITEMS 15G, 15H, 15J)	B,C	1
195	HL10VAZ6-5		ATTACHING PARTS ..BOLT- (V60516) (SPEC BACB30MY6K5) (OPT B30MY6K5 (V97928))		4
200	HL79-6		..COLLAR- (V5M902) (SPEC BACC30M6) (OPT HL79-6 (V73197)) (OPT HL79-6 (V92215)) (OPT 66014-6 (V56878)) (OPT HL79-6 (V56878))		4
205	BACR15FT6KE		..RIVET- (SIZE DETERMINE ON INST) -----*-----		8
210	BACR15BB3AD		...RIVET- (SIZE DETERMINE ON INST)		4

71-11-31

 ILLUSTRATED PARTS LIST  
 01.1 Page 1074Q  
 Jul 01/03



FIG. & ITEM	PART NO.	AIRLINE PART NUMBER	NOMENCLATURE 1234567	EFF CODE	QTY PER ASSY
03-215	BRF100C4M		...NUTPLATE- (V52828) (SPEC BACN10KB4CFM) (OPT F2001-4 (V15653)) (OPT T8113C428C (V11815)) (OPT VN151D1-048 (V92215)) (OPT 109F9207-4 (V72962)) (OPT F2001-4 (V15653))		2
220	BACF3F009D009NN		..FILLER		2
225	BACF3F009L046NN		..FILLER		2
230	315T3656-15		..BOX ASSY	A,D,E	1
-235	315T3656-14		..BOX ASSY ATTACHING PARTS	J, L-P B,C	1
240	BACR15FT6KE		..RIVET- (SIZE DETERMINE ON INST) -----*-----		6
245	BACR15BB3AD		...RIVET- (SIZE DETERMINE ON INST)		8
260	MF6000-3		...NUTPLATE- (V15653) (SPEC BACN10KJ3)		4
265	315T3245-1		...RETAINER ASSY ATTACHING PARTS		1
270	BACR15BA5AD		...RIVET- (SIZE DETERMINE ON INST) -----*-----		4

71-11-31

 ILLUSTRATED PARTS LIST  
 01.1 Page 1074R  
 Jul 01/03


**BOEING**  
 COMPONENT  
 MAINTENANCE MANUAL

FIG. & ITEM	PART NO.	AIRLINE PART NUMBER	NOMENCLATURE 1234567	EFF CODE	QTY PER ASSY
03-					
275	MS21209F8-10		....INSERT		1
277	315T3245-2		....RETAINER		1
280	315T3206-1		DELETED		
-280A	315T3206-5		DELETED		
-280B	315T3206-9		DELETED		
280C	315T3206-15		..FITTING ASSY-V GROOVE (OPT ITEM 280D) (USED ON ITEM 10B)	A,D,E ,J, L-P	1
-280D	315T3206-19		..FITTING ASSY-V GROOVE (OPT ITEM 280C) (USED ON ITEM 10B)	A,D,E ,J, L-P	1
-280E	315T3206-29		..FITTING ASSY-V GROOVE (OPT ITEM 280F) (USED ON ITEMS 10D, 10F, 10G, 10H, 10J, 10K)	A,D,E ,J, L-P	1
-280F	315T3206-19		..FITTING ASSY-V GROOVE (OPT ITEM 280E) (USED ON ITEMS 10D, 10F, 10G, 10H, 10J, 10K)	A,D,E ,J, L-P	1
-280G	315T3206-15		..FITTING ASSY-V GROOVE (USED ON ITEMS 10, 10A, 10E )	A,D,E ,J, L-P	1
-280H	315T3206-15		..FITTING ASSY-V GROOVE (OPT ITEMS 280J, 280K) (USED ON ITEM 10C)	A,D,E ,J, L-P	1
-280J	315T3206-19		..FITTING ASSY-V GROOVE (OPT ITEMS 280H, 280K) (USED ON ITEM 10C)	A,D,E ,J, L-P	1
-280K	315T3206-29		..FITTING ASSY-V GROOVE (OPT ITEMS 280H, 280J) (USED ON ITEM 10C)	A,D,E ,J, L-P	1

71-11-31

 ILLUSTRATED PARTS LIST  
 01.1 Page 1074S  
 Jul 01/03

FIG. & ITEM	PART NO.	AIRLINE PART NUMBER	NOMENCLATURE 1234567	EFF CODE	QTY PER ASSY
03-					
-285	315T3206-2		DELETED		
-285A	315T3206-6		DELETED		
-285B	315T3206-10		DELETED		
-285C	315T3206-16		..FITTING ASSY-V GROOVE (OPT ITEM 285D) (USED ON ITEM 15C)	B,C	1
-285D	315T3206-20		..FITTING ASSY-V GROOVE (OPT ITEM 285C) (USED ON ITEM 15C)	B,C	1
-285E	315T3206-30		..FITTING ASSY-V GROOVE (USED ON ITEMS 15E, 15F, 15G, 15H, 15J)	B,C	1
-285F	315T3206-16		..FITTING ASSY-V GROOVE (USED ON ITEMS 15, 15A, 15B)	B,C	1
-285G	315T3206-16		..FITTING ASSY-V GROOVE (OPT ITEMS 285H, 285J) (USED ON ITEM 15D)	B,C	1
-285H	315T3206-20		..FITTING ASSY-V GROOVE (OPT ITEMS 285G, 285J) (USED ON ITEM 15D)	B,C	1
-285J	315T3206-30		..FITTING ASSY-V GROOVE (OPT ITEMS 285G, 285H) (USED ON ITEM 15D)	B,C	1
290	BACR15CE3D		...RIVET- (SIZE DETERMINE ON INST)		24
295	NS103191SE02-2		...NUTPLATE- (V80539) (SPEC BACN10KE3B2CM) (OPT F51747-3-2DL (V15653)) (OPT 104F9213-2-3 (V72962)) (OPT 104F9213-2-3 (V72962))		12
297	315T3206-17		...FITTING- (USED ON ITEMS 280C, 280G, 280H)	A,D,E, J, L-P	1
-297A	315T3206-21		...FITTING- (USED ON ITEMS 280D, 280F, 280J)	A,D,E, J, L-P	1
-297B	315T3206-27		...FITTING- (USED ON ITEMS 280E, 280K)	A,D,E, J, L-P	1

71-11-31

 ILLUSTRATED PARTS LIST  
 01.1 Page 1074T  
 Jul 01/03


**BOEING**  
 COMPONENT  
 MAINTENANCE MANUAL

FIG. & ITEM	PART NO.	AIRLINE PART NUMBER	NOMENCLATURE 1234567	EFF CODE	QTY PER ASSY
03- -298	315T3206-18		...FITTING- (USED ON ITEMS 285C, 285F, 285G)	B,C	1
-298A	315T3206-22		...FITTING- (USED ON ITEMS 285D, 285H)	B,C	1
-298B	315T3206-28		...FITTING- (USED ON ITEMS 285E, 285J)	B,C	1
300	315T3314-7		..FITTING ASSY-ATTACH	A,D,E ,J, L-P	1
-305	315T3314-8		..FITTING ASSY-ATTACH ATTACHING PARTS	B,C	1
310	HL10VAZ6-4		..BOLT- (V60516) (SPEC BACB30MY6K4) (OPT B30MY6K4 (V97928))		7
315	HL10VAZ6-5		..BOLT- (V60516) (SPEC BACB30MY6K5) (OPT B30MY6K5 (V97928))		9
317	MS21141-0605P		..FASTENER		8
320	L8006K6		..BOLT- (V06725) (SPEC BACB30MY6K6) (OPT HL10VAZ6-6 (VOPTK6))		1
322	MS21141-0606P		..FASTENER		2
325	HL79-6		..COLLAR- (V5M902) (SPEC BACC30M6) (OPT HL79-6 (V73197)) (OPT HL79-6 (V92215)) (OPT 66014-6 (V56878)) (OPT HL79-6 (V56878))		17

71-11-31

 ILLUSTRATED PARTS LIST  
 01.1 Page 1074U  
 Jul 01/03

FIG. & ITEM	PART NO.	AIRLINE PART NUMBER	NOMENCLATURE 1234567	EFF CODE	QTY PER ASSY
03-330	HL10VAZ8-6		..BOLT- (V60516) (SPEC BACB30MY8K6) (OPT B30MY8K6 (V97928))		1
335	HL10VAZ8-7		..BOLT- (V60516) (SPEC BACB30MY8K7) (OPT B30MY8K7 (V97928))		1
340	HL79-8		..COLLAR- (V5M902) (SPEC BACC30M8) (OPT HL79-8 (V73197)) (OPT HL79-8 (V92215)) (OPT 66014-8 (V56878)) (OPT HL79-8 (V56878))		2
341	BACB30NR4K7		..BOLT		1
342	AN96OPD416L		..WASHER		1
343	BRH10A4		..NUT- (V52828) (SPEC BACN10JC4) (OPT T6S428J (V11815)) (OPT 96-048 (V80539)) (OPT VN303A048 (V92215)) (OPT RMLH9075-4W (V72962)) (OPT NS202101-048 (V80539)) (OPT H10-4BAC (V15653)) -----*		1

71-11-31

ILLUSTRATED PARTS LIST

01.1 Page 1074V

Jul 01/03


**BOEING**  
 COMPONENT  
 MAINTENANCE MANUAL

FIG. & ITEM	PART NO.	AIRLINE PART NUMBER	NOMENCLATURE 1234567	EFF CODE	QTY PER ASSY
03-					
345	315T3315-1		...BUSHING		2
347	315T3314-9		...FITTING	A,D,E	1
				J, L-P	
-349	315T3314-10		...FITTING	B,C	1
350	315T3704-1		..BRACKET ASSY ATTACHING PARTS		1
355	NAS1398CW6-5		..RIVET -----*-----		2
360	BACR15BA3AD2		...RIVET		4
365	BR1000A3		...NUTPLATE- (V52828) (SPEC BACN10KB3) (OPT K2000-3 (V15653)) (OPT RMA9207-3 (V72962)) (OPT T8109S1032 (V11815)) (OPT VN101A1-02 (V92215)) (OPT K2000-3 (V15653))		2
367	315T3704-2		...BRACKET		1
368	315T3202-104		..SEAL	A,D,E	1
				J, L-P	
370	315T3202-48		..SEAL- (OPT ITEM 370C) (USED ON ITEMS 10, 10A, 10B, 10E, 15, 15A, 15B, 15C)		1
-370A	315T3202-48		DELETED		
-370B	315T3202-100		..SEAL- (USED ON ITEMS 10C, 10D, 10F, 10G, 10H, 10J, 10K, 15D, 15E, 15F, 15G, 15H, 15J)		1
-370C	315T3202-100		..SEAL- (OPT ITEM 370) (USED ON ITEMS 10, 10A, 10B, 10E, 15, 15A, 15B, 15C)		1

71-11-31

 ILLUSTRATED PARTS LIST  
 01.1 Page 1074W  
 Jul 01/03

FIG. & ITEM	PART NO.	AIRLINE PART NUMBER	NOMENCLATURE 1234567	EFF CODE	QTY PER ASSY
03-371	HL10VAZ5-3		..BOLT- (V60516) (SPEC BACB30MY5K3) (OPT B30MY5K3 (V97928))		175
371L	HL10VAZ5-3		..BOLT- (V60516) (SPEC BACB30MY5K3) (OPT B30MY5K3 (V97928))	A,D,E ,J, L-P	5
-371Q	HL10VAZ5-4		..BOLT- (V60516) (SPEC BACB30MY5K4) (OPT B30MY5K4 (V97928))	B,C	5
372	HL79-5		..COLLAR- (V5M902) (SPEC BACC30M5) (OPT HL70-5 (V73197)) (OPT HL70-5 (V92215)) (OPT 66014-5 (V56878)) (OPT HL70-5 (V56878))		180
373	315T3202-59		..RETAINER-SEAL (USED ON ITEMS 10, 10A, 10B, 10E)	A,D,E ,J, L-P	1

71-11-31

 ILLUSTRATED PARTS LIST  
 01.1 Page 1074X  
 Jul 01/03


**BOEING**  
 COMPONENT  
 MAINTENANCE MANUAL

FIG. & ITEM	PART NO.	AIRLINE PART NUMBER	NOMENCLATURE 1234567	EFF CODE	QTY PER ASSY
03- -373A	315T3202-101		..RETAINER-SEAL (USED ON ITEMS 10D, 10F, 10G, 10H, 10J, 10K)	A,D,E ,J, L-P	1
-373B	315T3202-59		..RETAINER-SEAL (OPT ITEM 373C) (USED ON ITEM 10C)	A,D,E ,J, L-P	1
-373C	315T3202-101		..RETAINER-SEAL (OPT ITEM 373B) (USED ON ITEM 10C)	A,D,E ,J, L-P	1
-374	315T3202-60		..RETAINER-SEAL (USED ON ITEMS 15, 15A, 15B, 15C)	B,C	1
-374A	315T3202-102		..RETAINER-SEAL (USED ON ITEMS 15E, 15F, 15G, 15H, 15J)	B,C	1
-374B	315T3202-60		..RETAINER-SEAL (OPT ITEM 374C) (USED ON ITEM 15D)	B,C	1
-374C	315T3202-102		..RETAINER-SEAL (OPT ITEM 374B) (USED ON ITEM 15D)	B,C	1
375	315T3201-5SP		DELETED		
-375A	315T3201-21SP		DELETED		
-375B	315T3201-21		DELETED		
375C	315T3201-5		..STRIP ASSY-RUB (USED ON ITEMS 10, 10A)	A,D,E ,J, L-P	1
-375D	315T3201-28		..STRIP ASSY-RUB (USED ON ITEMS 10B, 10C, 10D, 10E, 10F, 10G, 10H, 10J, 10K)	A,D,E ,J, L-P	1

71-11-31

ILLUSTRATED PARTS LIST

01.1 Page 1074Y

Jul 01/03



FIG. & ITEM	PART NO.	AIRLINE PART NUMBER	NOMENCLATURE 1234567	EFF CODE	QTY PER ASSY
03-					
-380	315T3201-6SP		DELETED		
-380A	315T3201-22SP		DELETED		
-380B	315T3201-22		DELETED		
-380C	315T3201-6		..STRIP ASSY-RUB (USED ON ITEMS 15, 15A)	B,C	1
-380D	315T3201-29		..STRIP ASSY-RUB (USED ON ITEMS 15B, 15C, 15D, 15E, 15F, 15G, 15H, 15J)	B,C	1
			ATTACHING PARTS		
382	BACB30LR3-6		..BOLT		4
384	BACB30LK32		DELETED		
384A	BACB30LK3-2		..BOLT-*(1)		2
386	AN960PD10L		..WASHER- (USED WITH ITEM 384A)		2
388	H10-3BAC		..NUT- (V15653) (SPEC BACN10JC3) (OPT NS202101-02 (V80539)) (OPT RMLH9075-3W (V72962)) (OPT T6S1032J (V71087)) (OPT VN303A02 (V92215)) (OPT 96-02 (V80539)) (OPT BRH10A3 (V52828)) (USED WITH ITEM 384A)		2
388A	BACN10JC3		DELETED		
390	BACB30LR3-5		DELETED		
390A	BACB30LH3-5		..BOLT-*(2) (OPT ITEM 390B)		1
-390B	BACB30NN3K5		..BOLT-*(2) (OPT ITEM 390A) -----*		1

71-11-31

 ILLUSTRATED PARTS LIST  
 01.1 Page 1074Z  
 Jul 01/03


**BOEING**  
 COMPONENT  
 MAINTENANCE MANUAL

FIG. & ITEM	PART NO.	AIRLINE PART NUMBER	NOMENCLATURE 1234567	EFF CODE	QTY PER ASSY
03-400	BACR15BA5A		...RIVET- (SIZE DETERMINE ON INST) (USED ON ITEMS 375C, 380C)		20
-400A	BACR15BA5A		...RIVET- (SIZE DETERMINE ON INST) (USED ON ITEMS 375D, 380D)		15
405	315T3201-8		...SUPPORT- (USED ON ITEMS 375C, 380C)		1
410	315T3201-9		...STRIP- (USED ON ITEM 375C)	A,D,E ,J, L-P	1
-410A	315T3201-23SP		DELETED		
-410B	315T3201-30		...STRIP- (USED ON ITEM 375D)	A,D,E ,J, L-P	1
-415	315T3201-12SP		DELETED		
-415A	315T3201-24SP		DELETED		
-415B	315T3201-31		...STRIP- (USED ON ITEM 380D)	B,C	1
-415C	315T3201-12		...STRIP- (USED ON ITEM 380C)	B,C	1
420	315T3201-13		...STRIP-RUB (USED ON ITEM 375C)	A,D,E ,J, L-P	1
-420A	315T3201-25		...STRIP-RUB (USED ON ITEM 375D)	A,D,E ,J, L-P	1
-425	315T3201-14		...STRIP-RUB (USED ON ITEM 380C)	B,C	1

71-11-31

 ILLUSTRATED PARTS LIST  
 01.1 Page 1075  
 Jul 01/03

FIG. & ITEM	PART NO.	AIRLINE PART NUMBER	NOMENCLATURE 1234567	EFF CODE	QTY PER ASSY
03- -425A	315T3201-26		...STRIP-RUB (USED ON ITEM 380D)	B,C	1
430	BACB30LR3-6		..BOLT		28
435	315T3201-7		..STRIP-RUB		5
440	315T3201-10		..STRIP-RUB	A,D,E ,J, L-P	1
-445	315T3201-11		..STRIP-RUB (USED ON ITEMS 15, 15A)	B,C	1
-445A	315T3201-20		..STRIP-RUB (USED ON ITEMS 15B, 15C, 15D, 15E, 15F, 15G, 15J)	B,C	1
-445B	315T3201-27		..STRIP-RUB (USED ON ITEM 15H)	B,C	1
450	BACR15BB3AD		..RIVET- (SIZE DETERMINE ON INST)		64
455	F5000-3BAC		..NUTPLATE- (V15653) (SPEC BACN10JR3F) (OPT NS103203-02 (V80539)) (OPT RMF9201-3 (V72962)) (OPT T8091S1032 (V11815)) (OPT VN152A1-02 (V92215)) (OPT BRF200A3 (V52828))		32

71-11-31

 ILLUSTRATED PARTS LIST  
 01.1 Page 1076  
 Jul 01/03


**BOEING**  
 COMPONENT  
 MAINTENANCE MANUAL

FIG. & ITEM	PART NO.	AIRLINE PART NUMBER	NOMENCLATURE 1234567	EFF CODE	QTY PER ASSY
03-					
460	BACB30LJ4-8		DELETED		
460A	BACB30LJ4-3		..BOLT		6
465	BACR15BB3AD		..RIVET-		12
			(SIZE DETERMINE ON INST)		
470	BRFM20C4M		..NUTPLATE-		6
			(V52828)		
			(SPEC BACN10JN4CM)		
			(OPT MF1001-4BAC		
			(V15653))		
			(OPT NS103218SE048		
			(V80539))		
			(OPT VN252D048		
			(V92215))		
			(OPT 109F9201M4		
			(V72962))		
			(OPT T8125C4C		
			(V11815))		
			(OPT T8125C4C		
			(V11815))		
471	NAS1801-3-12		..SCREW	A-E, J L-P	4
472	MS35338-43		..WASHER	A-E, J L-P	4
473	AN960D10L		..WASHER	A-E, J L-P	12
474	H10-3BAC		..NUT-	A-E, J L-P	4
			(V15653)		
			(SPEC BACN10JC3)		
			(OPT NS202101-02		
			(V80539))		
			(OPT RMLH9075-3W		
			(V72962))		
			(OPT T6S1032J		
			(V71087))		
			(OPT VN303A02		
			(V92215))		
			(OPT 96-02		
			(V80539))		
			(OPT BRH10A3		
			(V52828))		
474G	MS35650-305S		..NUT	A-E, J L-P	4

71-11-31

ILLUSTRATED PARTS LIST

01.1 Page 1076A

Jul 01/03

FIG. & ITEM	PART NO.	AIRLINE PART NUMBER	NOMENCLATURE 1234567	EFF CODE	QTY PER ASSY
03-475	BAC27TTR0025		..MARKER-ALUMINUM FOIL-GSE HOIST POINT		4
480	BAC27TTR0033		DELETED		
480A	BAC27TTR0036		..MARKER-ALUMINUM FOIL		1
485	BAC27TTR0039		..MARKER-ALUMINUM FOIL (USED ON ITEMS 10, 10A, 10B, 10C, 10D, 10E, 10F, 15, 15A, 15B, 15C, 15D, 15E)		1
485A	BAC27TTR0042		..MARKER-ALUMINUM FOIL (USED ON ITEMS 10G, 10H, 10J, 10K, 15F, 15G, 15H, 15J)		1
490	BAC27TPP0209		..MARKER-ALUMINUM FOIL GD 4350S	A,D,E ,J, L-P	1
495	BAC27TPP0210		..MARKER-ALUMINUM FOIL GD 4346S	A,D,E ,J, L-P	1
500	BAC27TPP0211		..MARKER-ALUMINUM FOIL GD 4342S	A,D,E ,J, L-P	1
505	BAC27TPP0217		..MARKER-ALUMINUM FOIL GD 4334S	A,D,E ,J, L-P	1
-510	BAC27TPP0213		..MARKER-ALUMINUM FOIL GD 4352S	B,C	1
-515	BAC27TPP0214		..MARKER-ALUMINUM FOIL GD 4348S	B,C	1
-520	BAC27TPP0215		..MARKER-ALUMINUM FOIL GD 4344S	B,C	1

71-11-31

 ILLUSTRATED PARTS LIST  
 01.1 Page 1076B  
 Jul 01/03

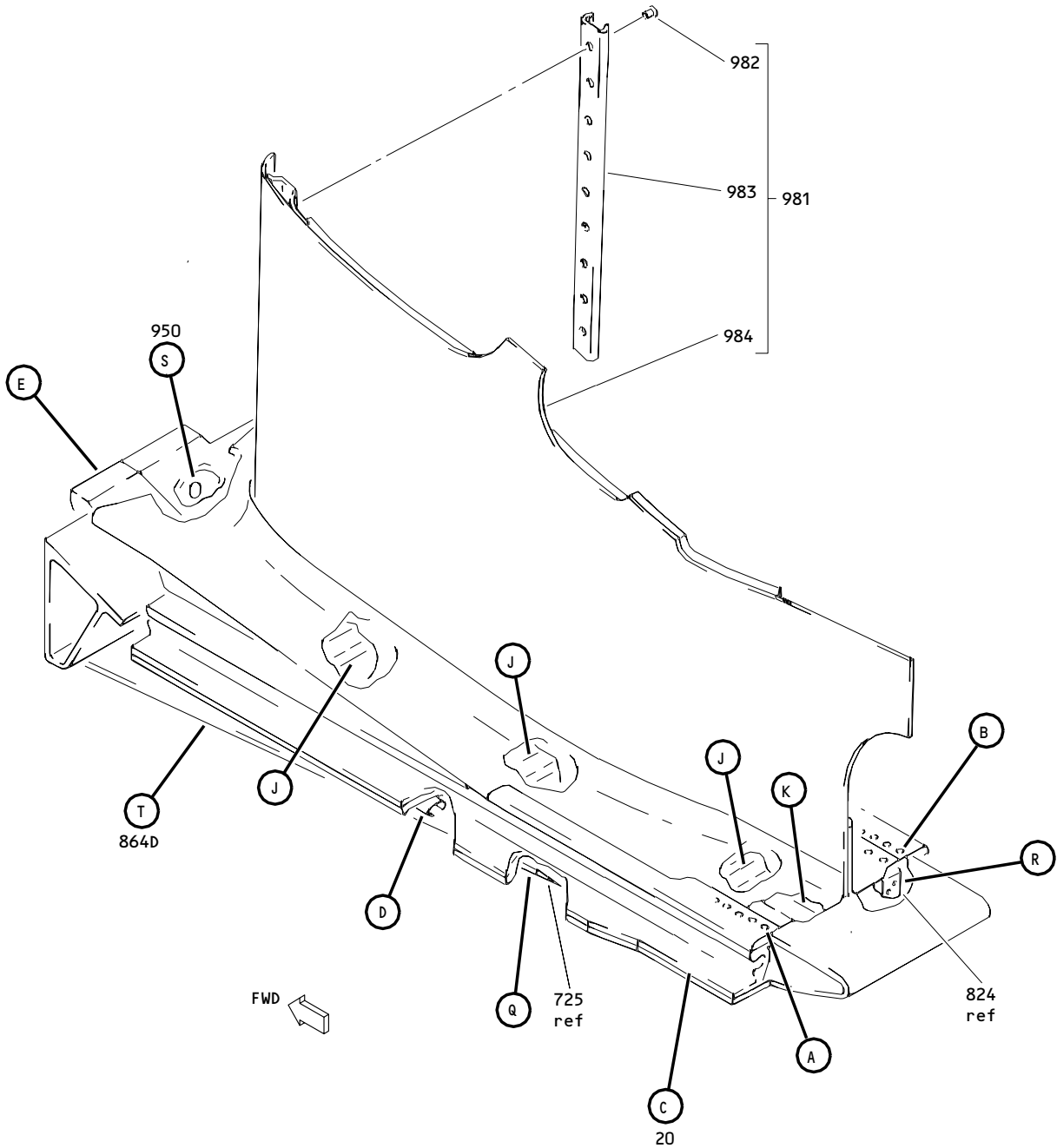

**BOEING**  
 COMPONENT  
 MAINTENANCE MANUAL

FIG. & ITEM	PART NO.	AIRLINE PART NUMBER	NOMENCLATURE 1234567	EFF CODE	QTY PER ASSY
03- -525	BAC27TPP0218		..MARKER-ALUMINUM FOIL GD 4336S * (1) THIS HARDWARE USED ON -5001, -5002, -5003, -5004. * (2) THIS HARDWARE USED ON -5005, -5006, -5008, -5009, -5010, -5011, -5012, -5013, -5017, -5018, -5019, -5023, -5033, -5034, -5037, -5038.	B,C	1

- Item Not Illustrated

# 71-11-31

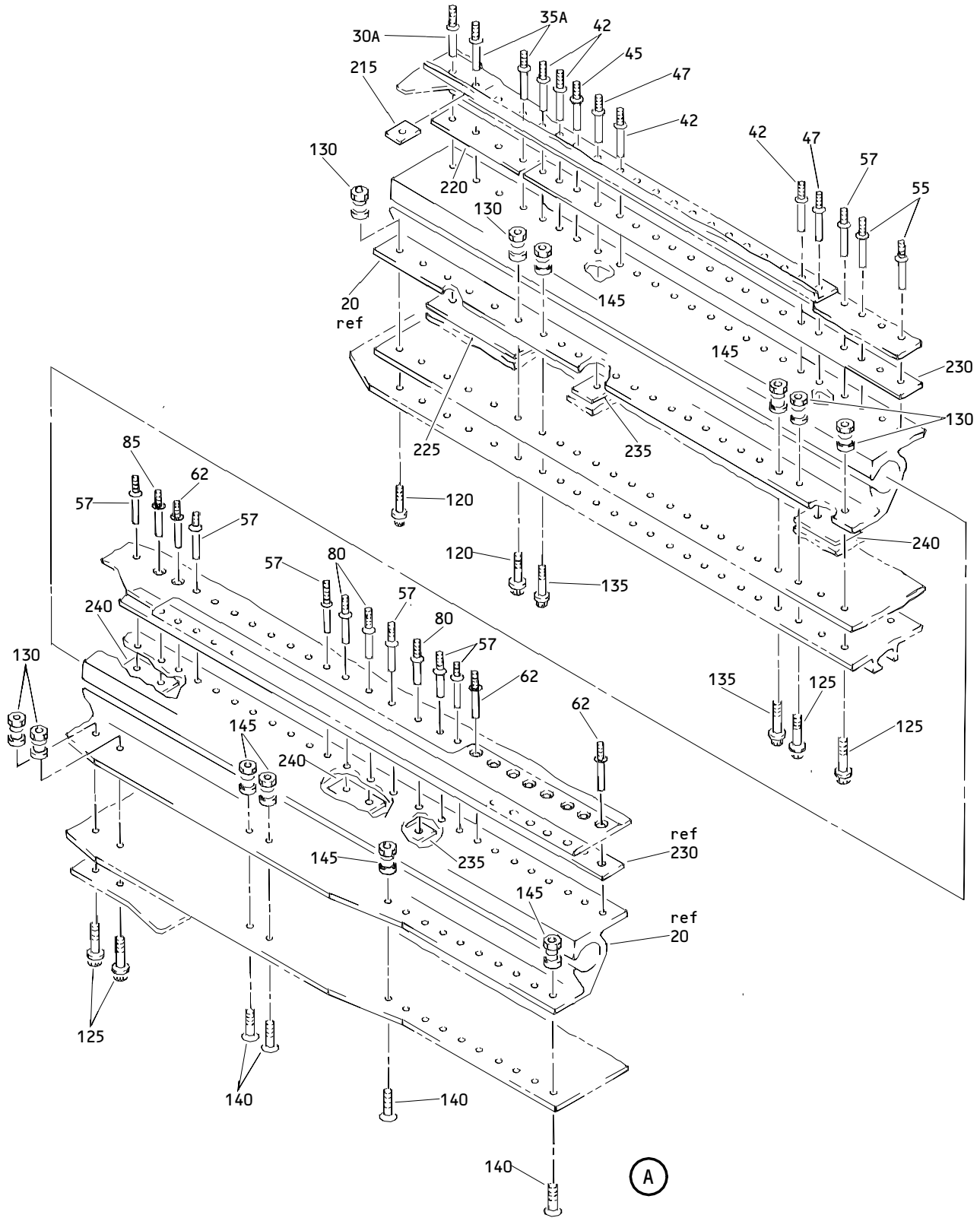
ILLUSTRATED PARTS LIST  
 01.1 Page 1076C  
 Jul 01/03



Engine Fan Duct Lower Bifurcation Assembly  
Figure 4 (Sheet 1)

**71-11-31**

ILLUSTRATED PARTS LIST  
01.1 Page 1076E  
Jul 01/03



Engine Fan Duct Lower Bifurcation Assembly  
 Figure 4 (Sheet 2)

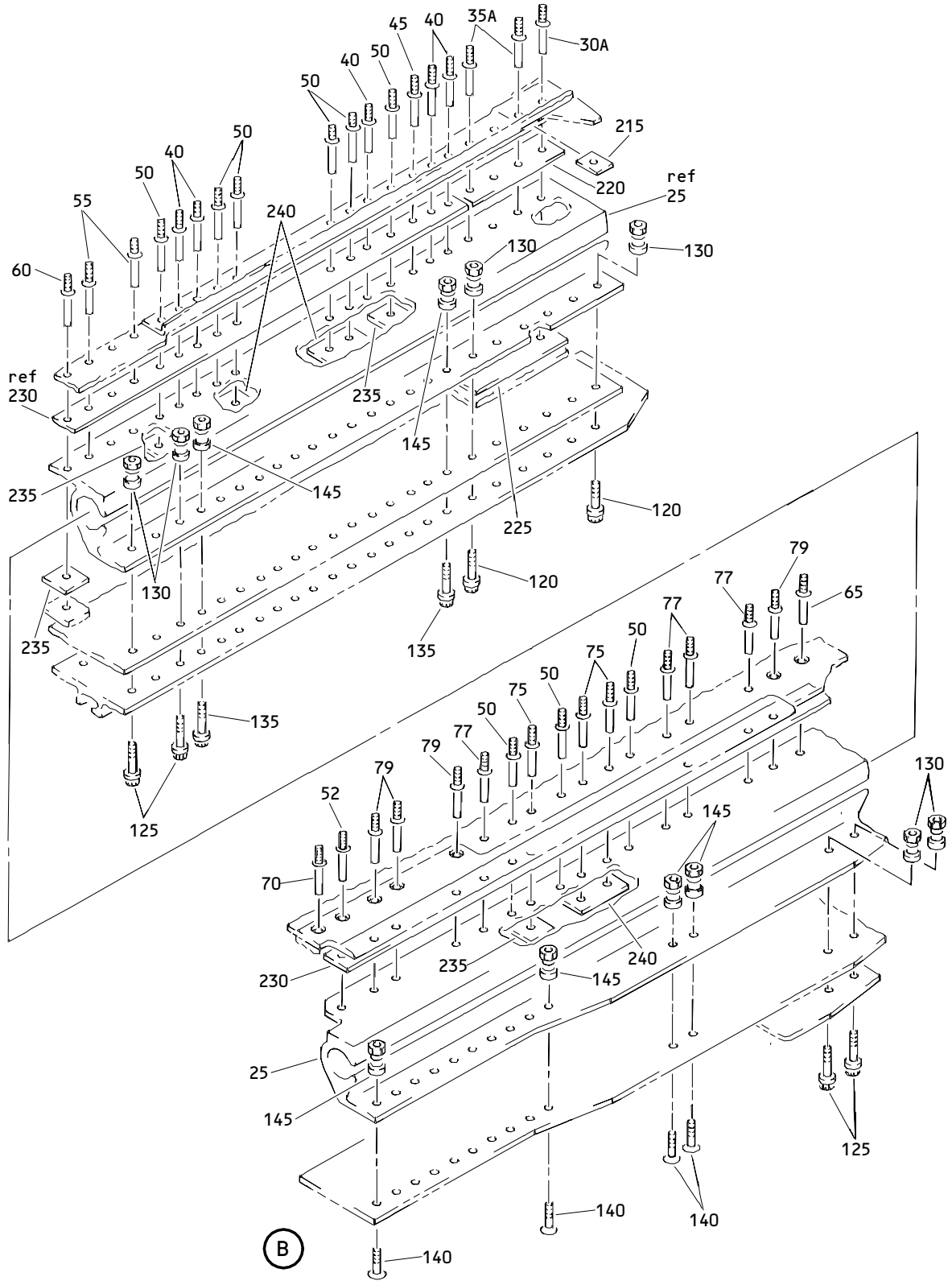
**71-11-31**

ILLUSTRATED PARTS LIST  
 01.1 Page 1076F  
 Jul 01/03



# BOEING

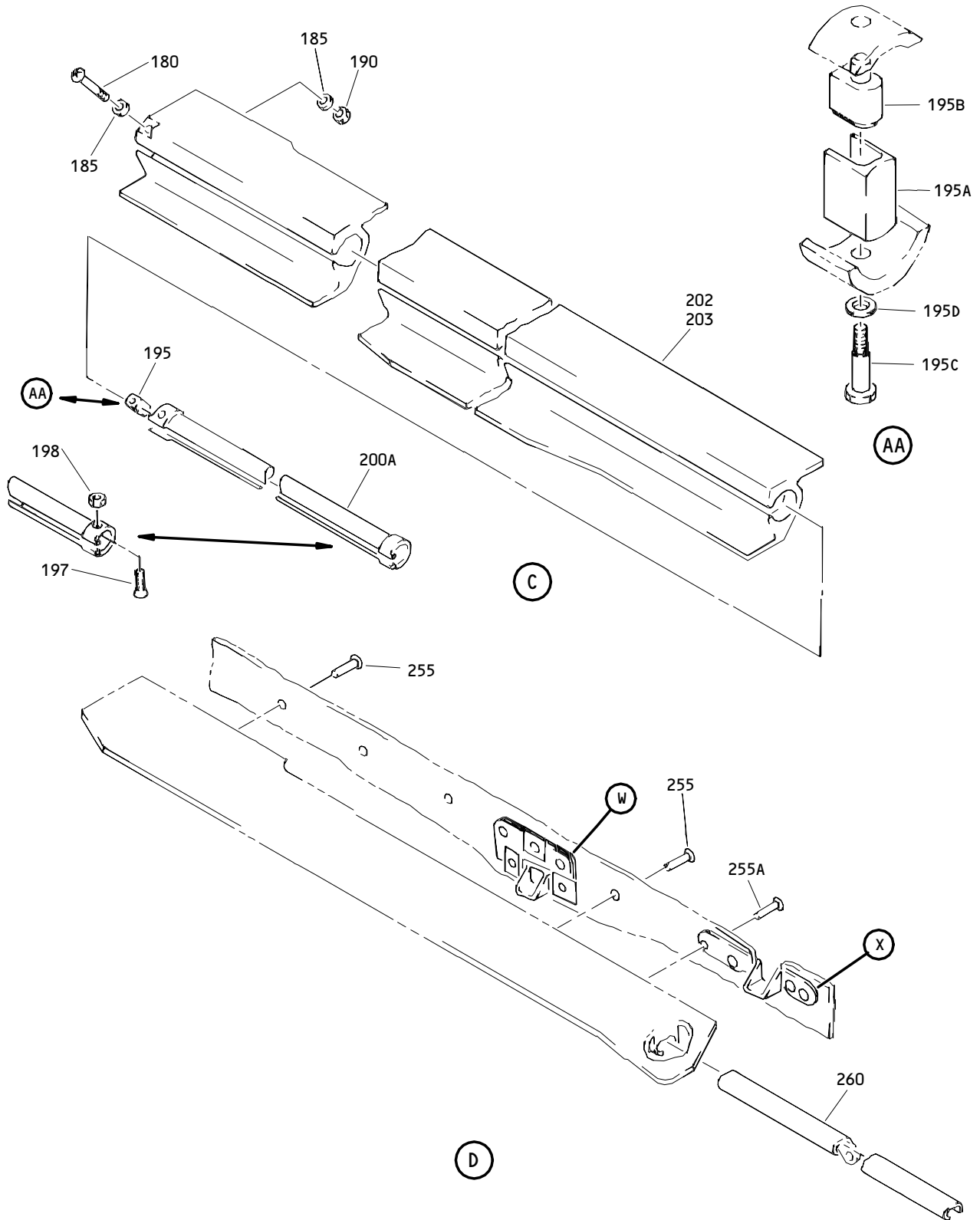
COMPONENT  
MAINTENANCE MANUAL



Engine Fan Duct Lower Bifurcation Assembly  
Figure 4 (Sheet 3)

71-11-31

ILLUSTRATED PARTS LIST  
01.1 Page 1076G  
Jul 01/03

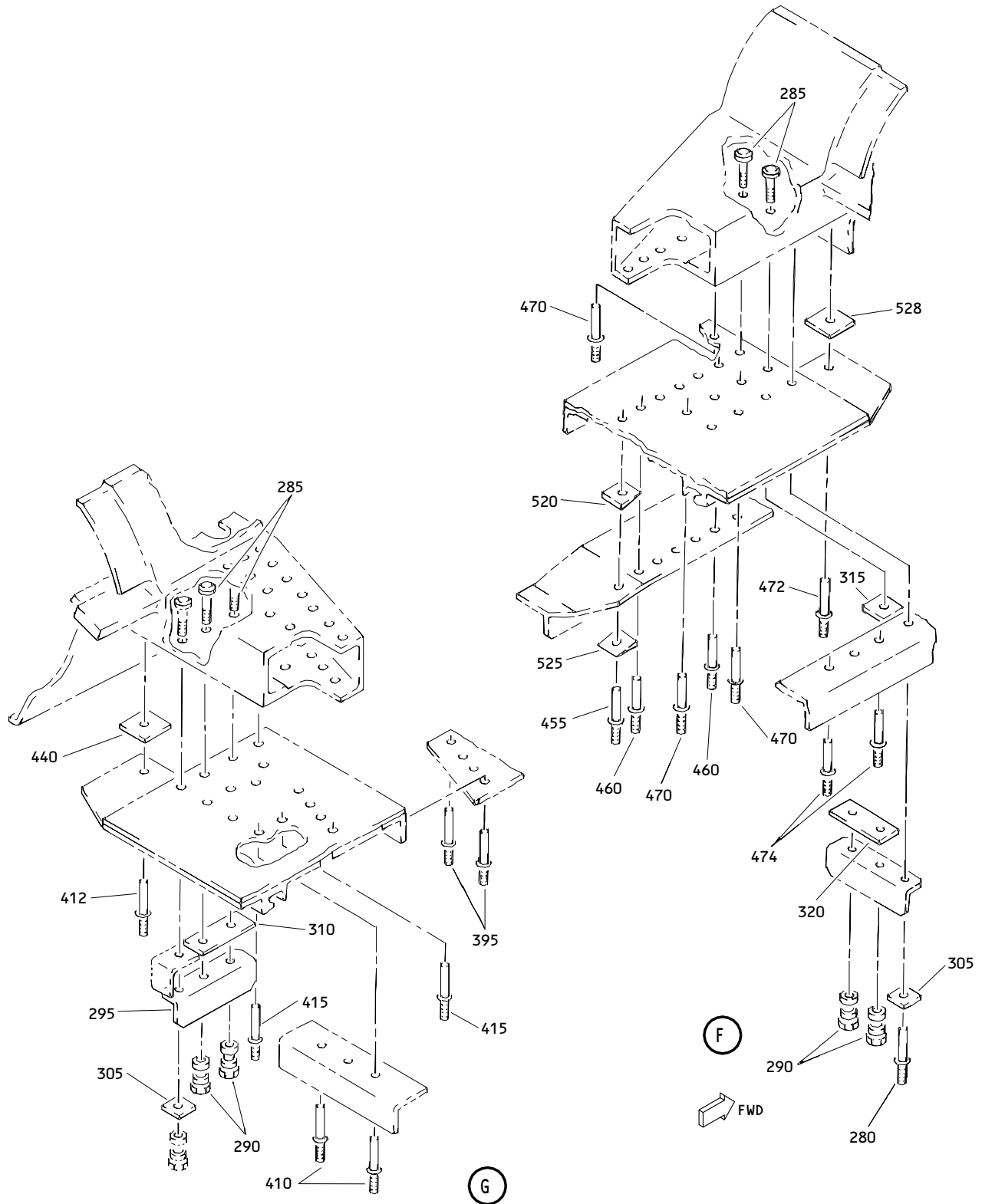


Engine Fan Duct Lower Bifurcation Assembly  
 Figure 4 (Sheet 4)

**71-11-31**

ILLUSTRATED PARTS LIST  
 01.1 Page 1076H  
 Jul 01/03

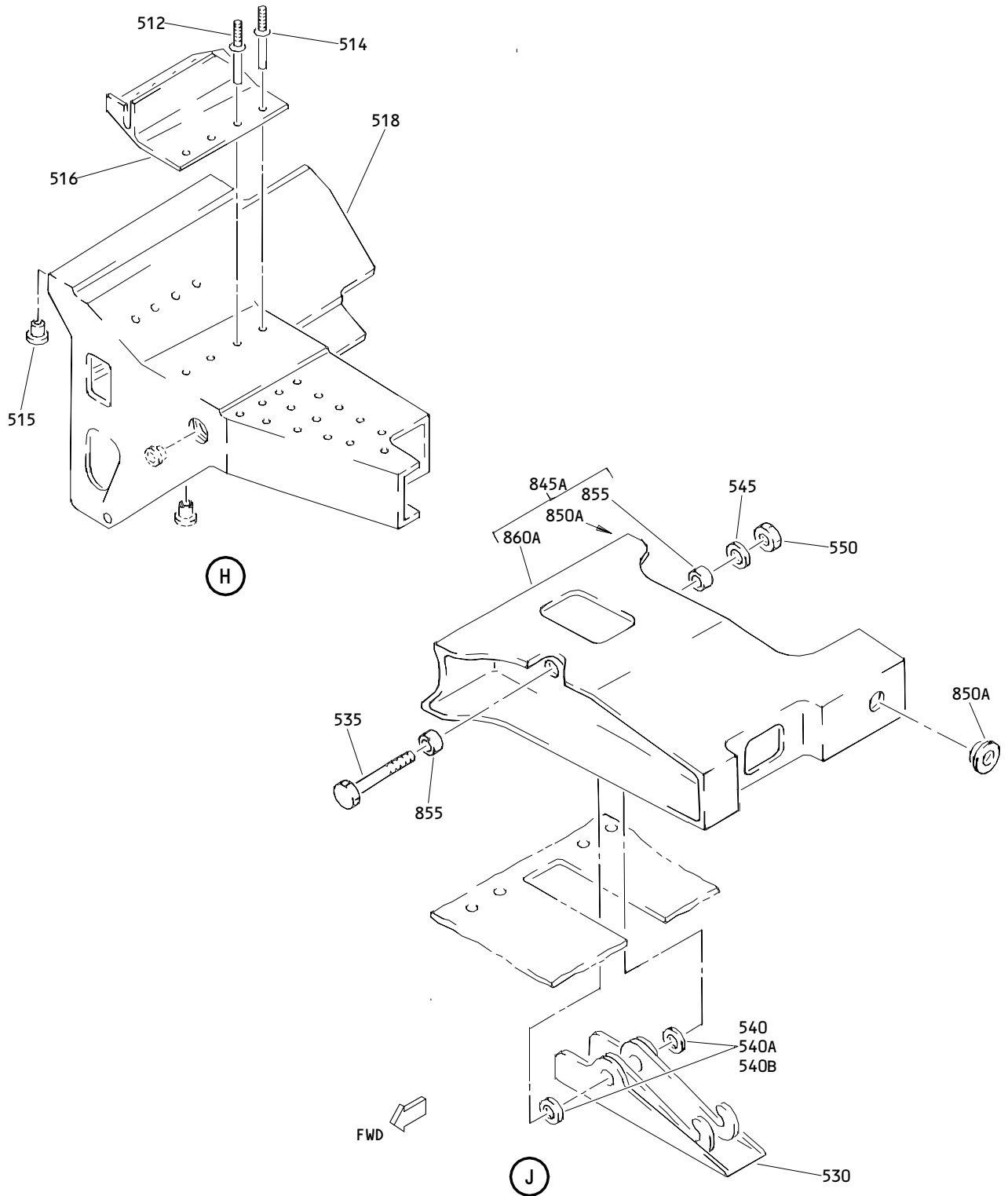




Engine Fan Duct Lower Bifurcation Assembly  
 Figure 4 (Sheet 6)

**71-11-31**

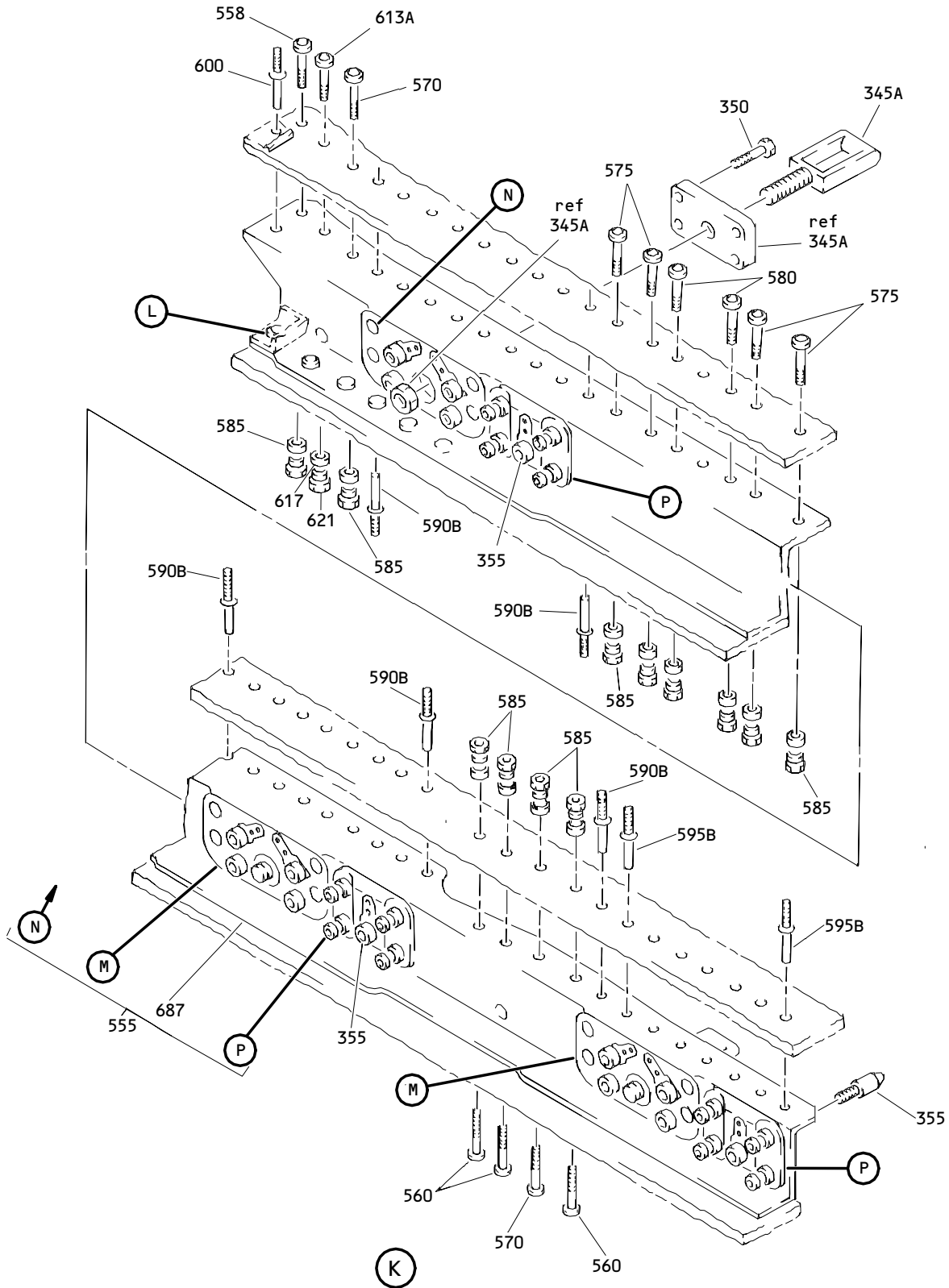
ILLUSTRATED PARTS LIST  
 01.1 Page 1076J  
 Jul 01/03



Engine Fan Duct Lower Bifurcation Assembly  
Figure 4 (Sheet 7)

**71-11-31**

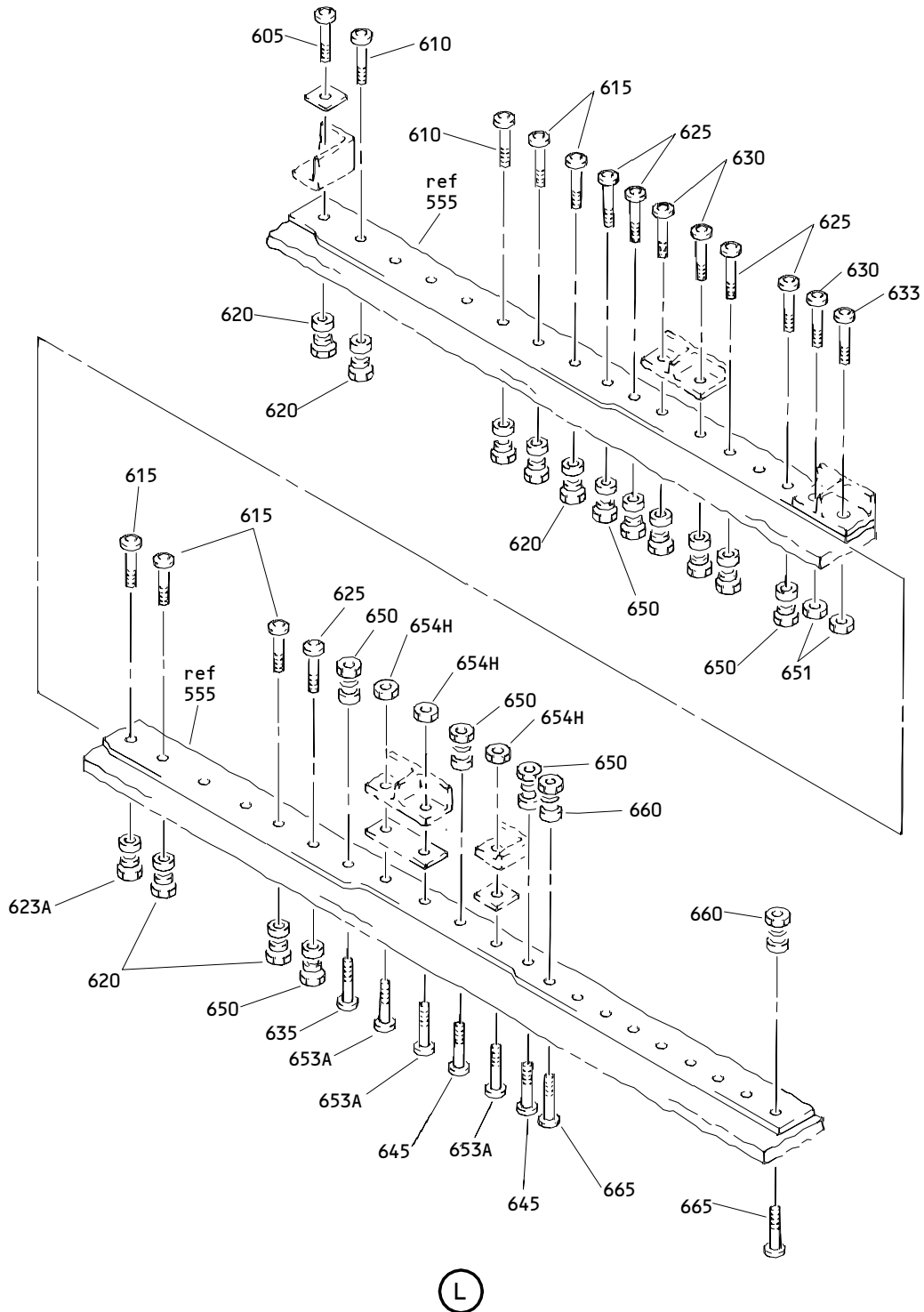
ILLUSTRATED PARTS LIST  
01.1 Page 1076K  
Jul 01/03



**Engine Fan Duct Lower Bifurcation Assembly  
 Figure 4 (Sheet 8)**

**71-11-31**

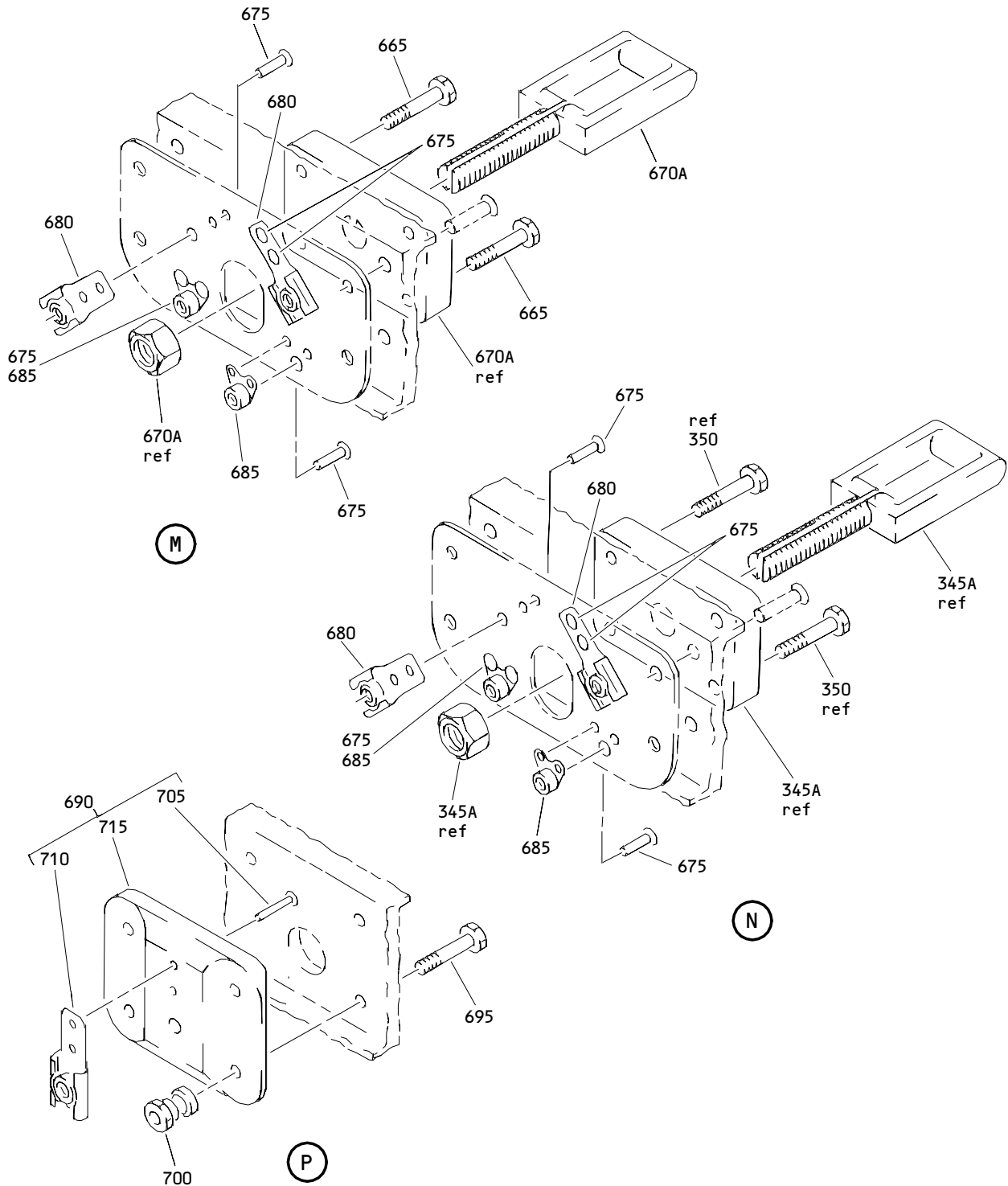
ILLUSTRATED PARTS LIST  
 01.1 Page 1076L  
 Jul 01/03



Engine Fan Duct Lower Bifurcation Assembly  
Figure 4 (Sheet 9)

**71-11-31**

ILLUSTRATED PARTS LIST  
01.1 Page 1076M  
Jul 01/03

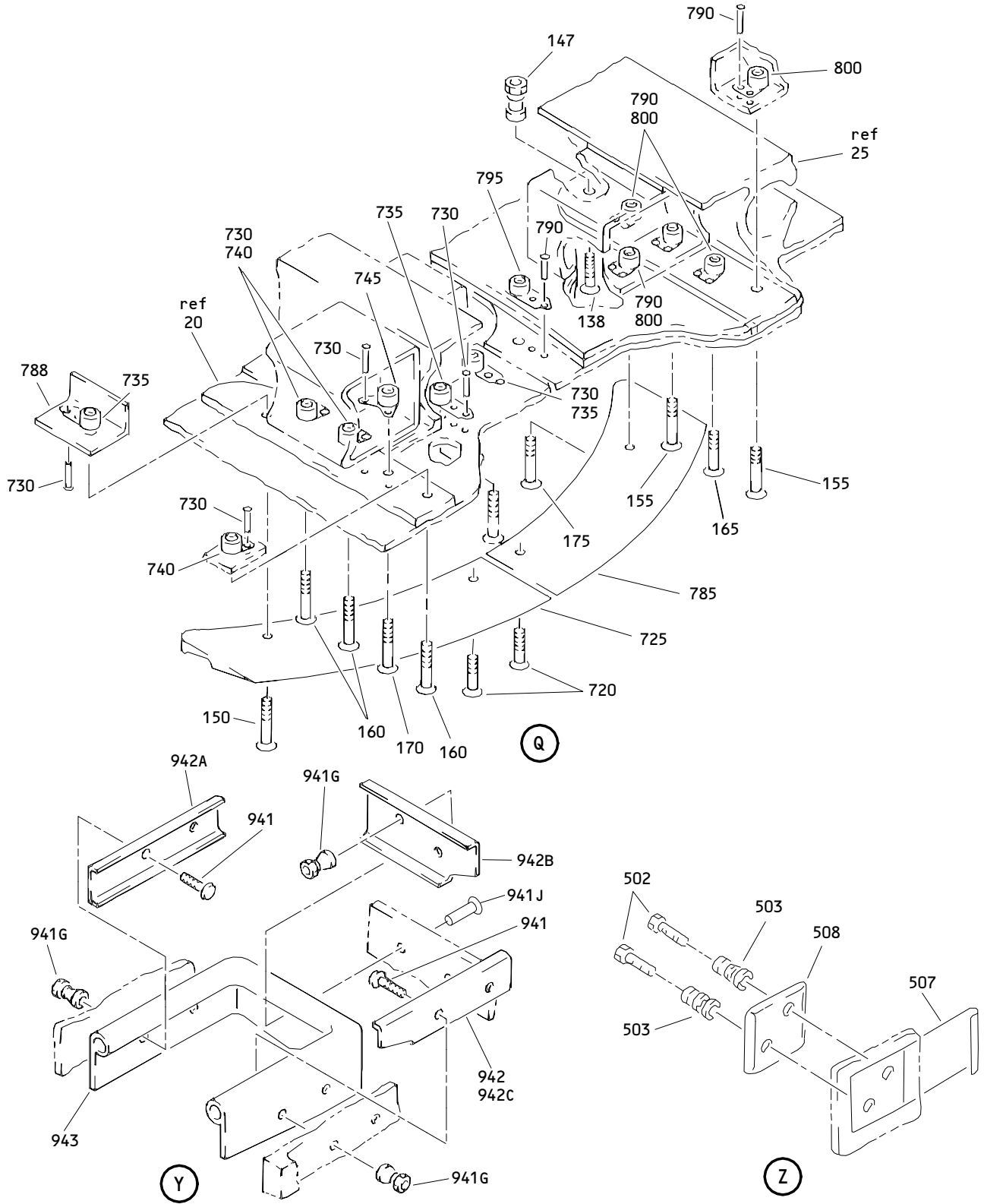


Engine Fan Duct Lower Bifurcation Assembly  
 Figure 4 (Sheet 10)

**71-11-31**

ILLUSTRATED PARTS LIST  
 01.1 Page 1076N  
 Jul 01/03

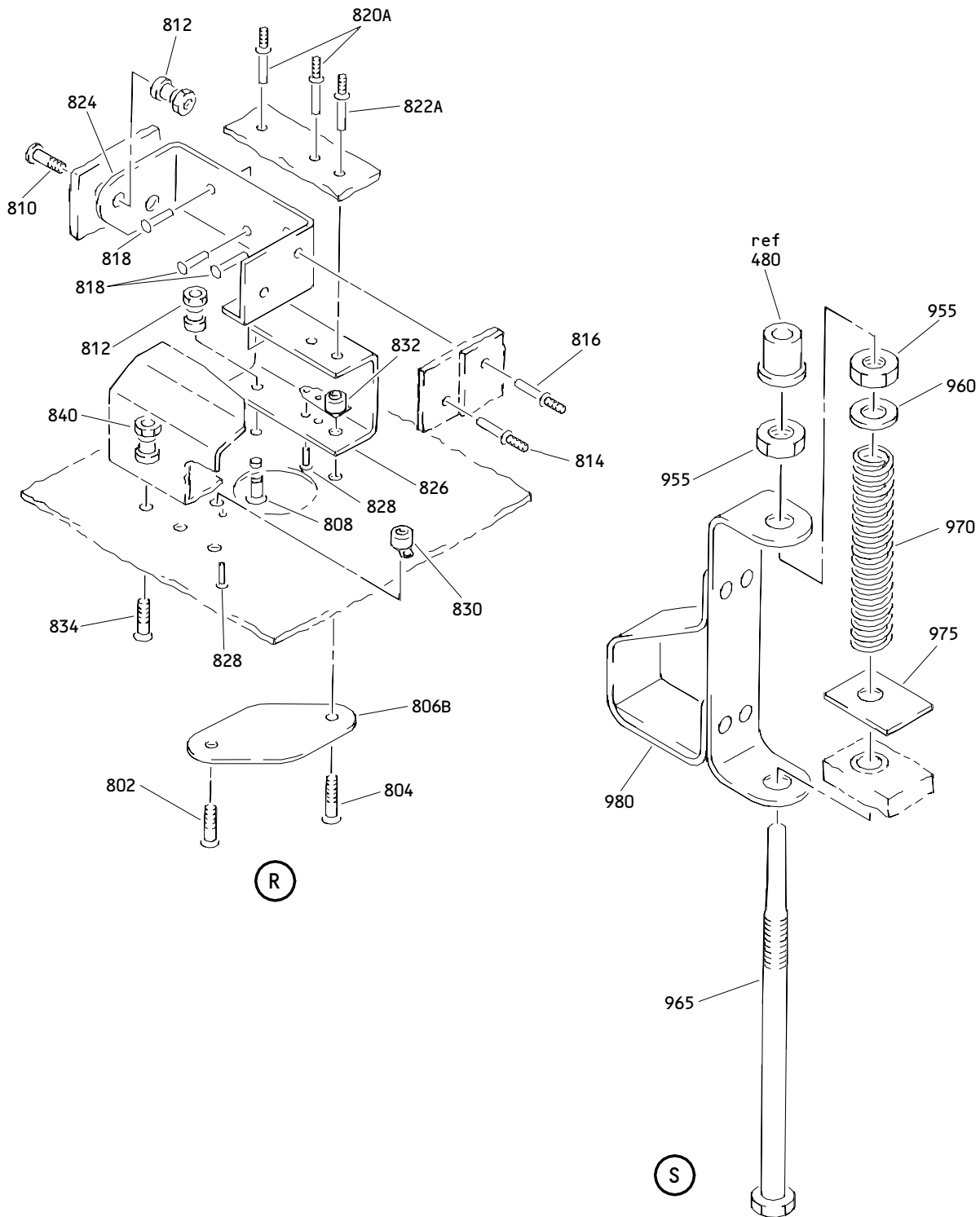




Engine Fan Duct Lower Bifurcation Assembly  
Figure 4 (Sheet 11)

**71-11-31**

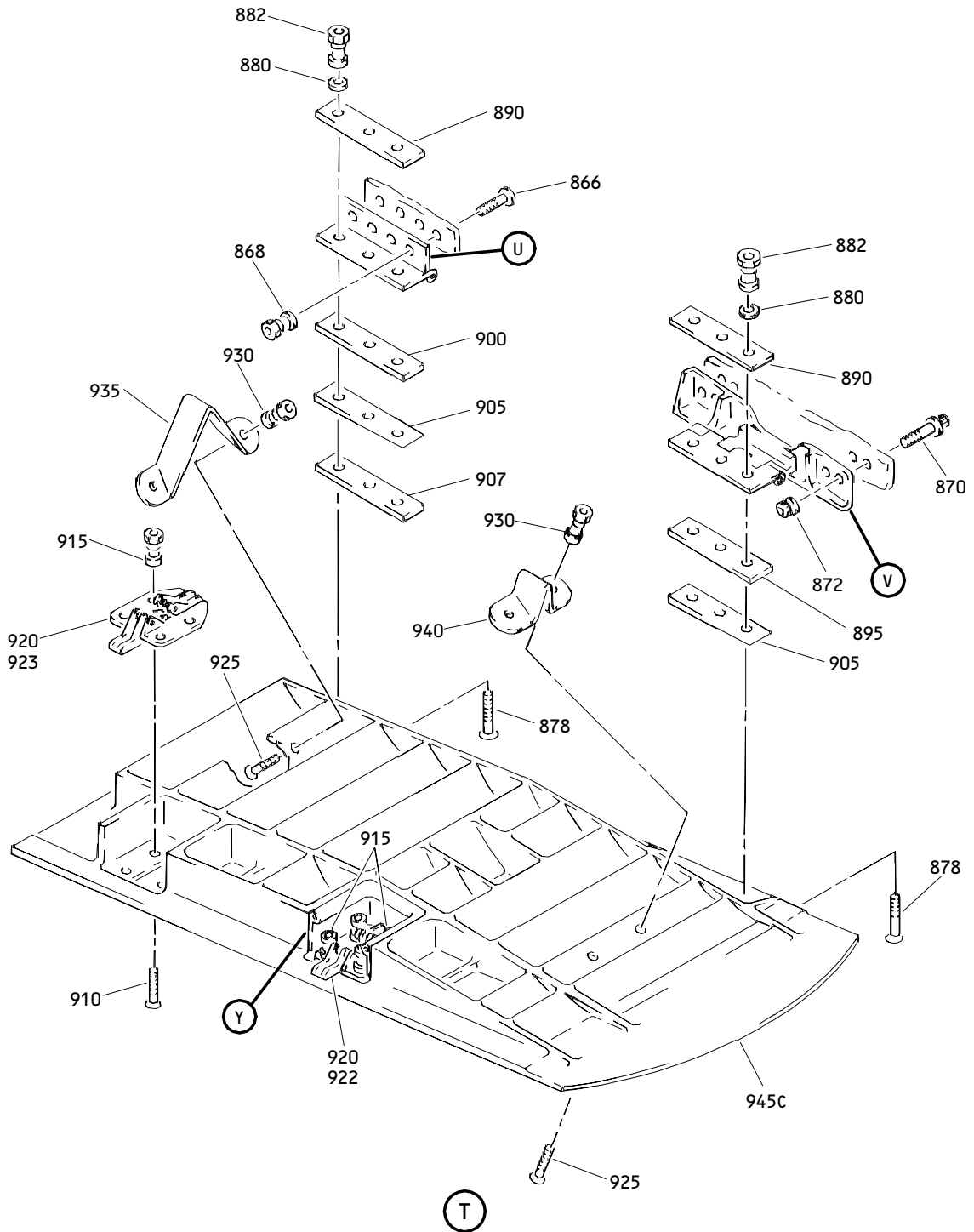
ILLUSTRATED PARTS LIST  
01.1 Page 10760  
Jul 01/03



Engine Fan Duct Lower Bifurcation Assembly  
 Figure 4 (Sheet 12)

**71-11-31**

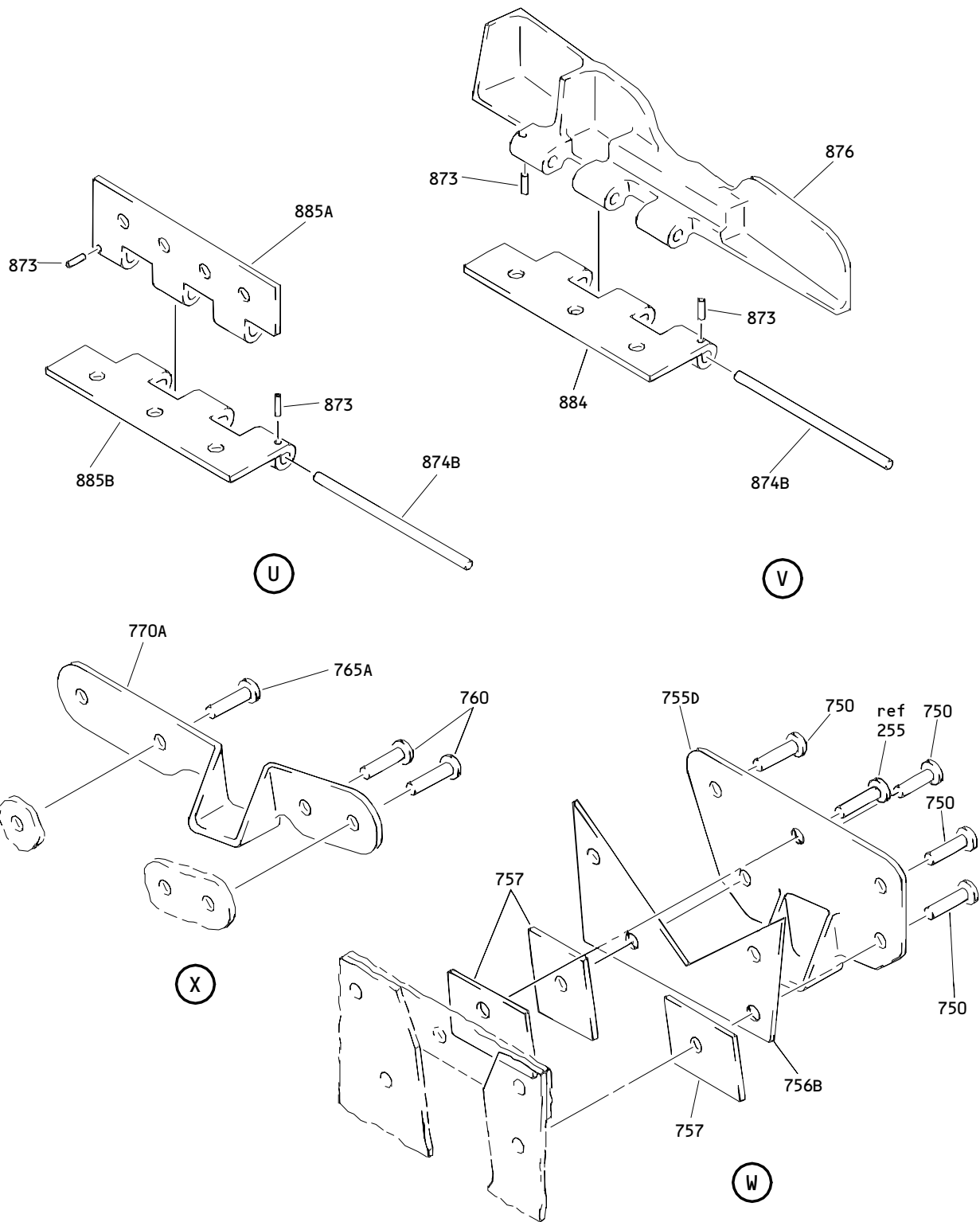
ILLUSTRATED PARTS LIST  
 01.1 Page 1076P  
 Jul 01/03



Engine Fan Duct Lower Bifurcation Assembly  
 Figure 4 (Sheet 13)

**71-11-31**

ILLUSTRATED PARTS LIST  
 01.1 Page 1076Q  
 Jul 01/03



Engine Fan Duct Lower Bifurcation Assembly  
 Figure 4 (Sheet 14)

**71-11-31**

ILLUSTRATED PARTS LIST  
 01.1 Page 1076R  
 Jul 01/03


**BOEING**  
 COMPONENT  
 MAINTENANCE MANUAL

FIG. & ITEM	PART NO.	AIRLINE PART NUMBER	NOMENCLATURE 1234567	EFF CODE	QTY PER ASSY
04-					
-1	315T3400-1		DELETED		
-1A	315T3400-207SP		DELETED		
-1B	315T3400-209SP		DELETED		
-1C	315T3400-207		BIFURCATION ASSY-LWR (LH) (REWORK)	A,D,E ,J, L-P	RF
-1D	315T3400-209		DELETED		
-5	315T3400-2		DELETED		
-5A	315T3400-182		DELETED		
-5B	315T3400-200SP		DELETED		
-5C	315T3400-208SP		DELETED		
-5D	315T3400-220SP		DELETED		
-5G	315T3400-210SP		DELETED		
-5H	315T3400-200		BIFURCATION ASSY-LWR (RH) (REWORK)	B,C	RF
-5J	315T3400-208		BIFURCATION ASSY-LWR (RH) (REWORK)	B,C	RF
-5K	315T3400-220		BIFURCATION ASSY-LWR (RH) (REWORK)	B,C	RF
-5L	315T3400-210		DELETED		
-10	315T3400-5003		.BIFURCATION ASSY- (LIMITED)	A,D,E ,J, L-P	1
-10A	315T3400-5001		DELETED		
-10B	315T3400-5007		.BIFURCATION ASSY- (LIMITED)	A,D,E ,J, L-P	1
-10G	315T3400-5013		DELETED		
-15	315T3400-5004		DELETED		
-15A	315T3400-5002		DELETED		
-15F	315T3400-5023		DELETED		
-15G	315T3400-5012		DELETED		
-17	315T3400-5016		.BIFURCATION ASSY- (USED ON ITEM 5H)	B,C	1
-17A	315T3400-5014		.BIFURCATION ASSY- (USED ON ITEM 5J)	B,C	1
-17B	315T3400-5021		.BIFURCATION ASSY- (USED ON ITEM 5K)	B,C	1
20	315T3402-5		..TRACK ASSY	A,D,E ,J, L-P	1

71-11-31

 ILLUSTRATED PARTS LIST  
 01.1 Page 1076S  
 Jul 01/03

FIG. & ITEM	PART NO.	AIRLINE PART NUMBER	NOMENCLATURE 1234567	EFF CODE	QTY PER ASSY
04-25	315T3402-1		..TRACK ASSY ATTACHING PARTS	B,C	1
30	NAS1398CW8-12		DELETED		
30A	NAS1398CW8-14		..RIVET		1
35	NAS1398CW8-11		DELETED		
35A	NAS1398CW8-13		..RIVET		3
40	NAS1398CW6-6		..RIVET		5
42	NAS1398CW6-6		..RIVET	A,D,E ,J, L-P	8
45	NAS1398CW6-7		..RIVET		1
47	NAS1398CW6-9		..RIVET		2
50	NAS1398CW6-9		..RIVET	B,C	7
52	NAS1399CW6-9		..RIVET	B,C	1
55	NAS1398CW6-5		..RIVET		2
56	NAS1398CW6-5		..RIVET	A,D,E ,J, L-P	1
56G	NAS1398CW6-5		..RIVET	B,C	1
57	NAS1398CW6-8		..RIVET	A,D,E ,J, L-P	13
60	NAS1398CW6-8		..RIVET	B,C	1
62	NAS1399CW6-8		..RIVET	A,D,E ,J, L-P	9
65	NAS1399CW6-8		..RIVET	B,C	1
70	NAS1399CW6-12		..RIVET	B,C	1
75	NAS1398CW6-12		..RIVET	B,C	3
77	NAS1398CW6-13		..RIVET	B,C	4
79	NAS1399CW6-13		..RIVET	B,C	4
80	NAS1398CW6-11		..RIVET	A,D,E ,J, L-P	3
85	NAS1399CW6-11		..RIVET	A,D,E ,J, L-P	1
120	HL10VAZ8-5		..BOLT- (V60516) (SPEC BACB30MY8K5) (OPT B30MY8K5 (V97928))		6

71-11-31

 ILLUSTRATED PARTS LIST  
 01.1 Page 1076T  
 Jul 01/03


**BOEING**  
 COMPONENT  
 MAINTENANCE MANUAL

FIG. & ITEM	PART NO.	AIRLINE PART NUMBER	NOMENCLATURE 1234567	EFF CODE	QTY PER ASSY
04-125	HL10VAZ8-7		..BOLT- (V60516) (SPEC BACB30MY8K7) (OPT B30MY8K7 (V97928))		5
130	HL79-8		..COLLAR- (V5M902) (SPEC BACC30M8) (OPT HL79-8 (V73197)) (OPT HL79-8 (V92215)) (OPT 66014-8 (V56878)) (OPT HL79-8 (V56878))		11
135	HL10VAZ6-5		..BOLT- (V60516) (SPEC BACB30MY6K5) (OPT B30MY6K5 (V97928))		14
R 138	HL11VAZ6-5		..BOLT- (V60516) (SPEC BACB30NW6K5) (OPT HL11V6-5 (V92215)) (OPT HL11V6-5 (V97928)) (OPT L803-6-5 (V06725)) (OPT B30NW6K5 (V97928)) (OPT HL11VAZ6-5 (V73197)) (OPT HL11VAZ6-5 (V92215)) (OPT HL11VAZ6-5 (V56878))	B,C	1

71-11-31

 ILLUSTRATED PARTS LIST  
 01.1 Page 1076U  
 Jul 01/03

FIG. & ITEM	PART NO.	AIRLINE PART NUMBER	NOMENCLATURE 1234567	EFF CODE	QTY PER ASSY
R 04-140	HL11VAZ6-3		..BOLT- (V60516) (SPEC BACB30NW6K3) (OPT B30NW6K3 (V97928)) (OPT HL11VAZ6-3 (V73197)) (OPT HL11VAZ6-3 (V92215)) (OPT HL11VAZ6-3 (V97928)) (OPT L803-6K3 (V06725)) (OPT HL11VAZ6-3 (V0PTK6)) (OPT HL11VAZ6-3 (V56878))		12
145	HL79-6		..COLLAR- (V5M902) (SPEC BACC30M6) (OPT HL79-6 (V73197)) (OPT HL79-6 (V92215)) (OPT 66014-6 (V56878)) (OPT HL79-6 (V56878))		26
147	HL79-6		..COLLAR- (V5M902) (SPEC BACC30M6) (OPT HL79-6 (V73197)) (OPT HL79-6 (V92215)) (OPT 66014-6 (V56878)) (OPT HL79-6 (V56878))	B,C	1

# 71-11-31

 ILLUSTRATED PARTS LIST  
 01.1 Page 1076V  
 Jul 01/03



 **BOEING**  
 COMPONENT  
 MAINTENANCE MANUAL

FIG. & ITEM	PART NO.	AIRLINE PART NUMBER	NOMENCLATURE 1234567	EFF CODE	QTY PER ASSY
04-150	BACB30LL3-7		..BOLT	A,D,E ,J L-P	1
155	BACB30LL3-7		..BOLT	B,C	2
160	BACB30LL3-5		..BOLT	A,D,E ,J L-P	3
165	BACB30LL3-5		..BOLT	B,C	1
170	BACB30LL3-3		..BOLT	A,D,E ,J L-P	1
175	BACB30LL3-9		..BOLT -----*-----	B,C	1
180	NAS623-3-26		...SCREW- (USED WITH ITEM 195)		1
185	AN960PD10L		...WASHER		2
190	H10-3BAC		...NUT- (V15653) (SPEC BACN10JC3) (OPT NS202101-02 (V80539)) (OPT RMLH9075-3W (V72962)) (OPT T6S1032J (V71087)) (OPT VN303A02 (V92215)) (OPT 96-02 (V80539)) (OPT BRH10A3 (V52828))		1

**71-11-31**

ILLUSTRATED PARTS LIST  
 01.1 Page 1076W  
 Jul 01/03

FIG. & ITEM	PART NO.	AIRLINE PART NUMBER	NOMENCLATURE 1234567	EFF CODE	QTY PER ASSY
04-195	315T3317-1		...RETAINER- (OPT ITEM 195A USED WITH ITEMS 195B, 195C, 195D) (USED WITH ITEM 180)		1
195A	315T3257-1		...RETAINER-PIN (OPT ITEM 195 USED WITH ITEM 180) (USED WITH ITEMS 195B, 195C, 195D)		1
195B	315T3257-2		...PIN- (USED WITH ITEM 195A)		1
195C	BACB30LM3H15		...BOLT- (USED WITH ITEM 195A)		1
195D	AN960PD10L		...WASHER- (USED WITH 195A)		1
197	BACB30LL3-3		...BOLT	A,D,E ,J, L-P	1
-197A	BACB30LH2-5		...BOLT	B,C	1

71-11-31

 ILLUSTRATED PARTS LIST  
 01.1 Page 1076X  
 Jul 01/03


**BOEING**  
 COMPONENT  
 MAINTENANCE MANUAL

FIG. & ITEM	PART NO.	AIRLINE PART NUMBER	NOMENCLATURE 1234567	EFF CODE	QTY PER ASSY
04-198	H10-3BAC		...NUT- (V15653) (SPEC BACN10JC3) (OPT NS202101-02 (V80539)) (OPT RMLH9075-3W (V72962)) (OPT T6S1032J (V71087)) (OPT VN303A02 (V92215)) (OPT 96-02 (V80539)) (OPT BRH10A3 (V52828))	A,D,E ,J, L-P	1
-198A	H10-08BAC		...NUT- (V15653) (SPEC BACN10JC08) (OPT NS202101-82 (V80539)) (OPT RMLH9075-82W (V72962)) (OPT T6S832J (V71087)) (OPT VN303A82 (V92215)) (OPT 96-82 (V80539)) (OPT BRH10A08 (V52828))	B,C	1
200	315T3415-3		DELETED		
200A	315T3415-7		...LINER	A,D,E ,J, L-P	1
-200B	315T3415-6		...LINER	B,C	1
-200C	315T3415-3		DELETED		
202	315T3402-3		...TRACK	B,C	1
203	315T3402-6		...TRACK	A,D,E ,J, L-P	1
215	BACF3F006J008NN		..FILLER		1
220	BACS40R11C43F		..SHIM		AR
225	BACS40R13D43F		..SHIM		AR
230	BACS40R08C359F		..SHIM		AR
235	BACS40R09D10F		..SHIM		AR

71-11-31

ILLUSTRATED PARTS LIST

01.1 Page 1076Y

Jul 01/03

FIG. & ITEM	PART NO.	AIRLINE PART NUMBER	NOMENCLATURE 1234567	EFF CODE	QTY PER ASSY
04-					
240	BACS40R10D19F		..SHIM		AR
255	MS20615-5MP		..RIVET		5
255A	BACR15CE5M		..RIVET		1
260	315T3406-5		..LINER	A,D,E	1
				J, L-P	
-265	315T3406-4		..LINER	B,C	1
280	NAS1398CW8-12		..RIVET		1
285	HL10VAZ6-7		..BOLT- (V60516) (SPEC BACB30MY6K7) (OPT B30MY6K7 (V97928))		2
290	HL79-6		..COLLAR- (V5M902) (SPEC BACC30M6) (OPT HL79-6 (V73197)) (OPT HL79-6 (V92215)) (OPT 66014-6 (V56878)) (OPT HL79-6 (V56878))		2
295	315T3400-149		..ANGLE	A,D,E	1
				J, L-P	
-300	315T3400-150		..ANGLE	B,C	1
305	315T3400-147		..FILLER		1

71-11-31

 ILLUSTRATED PARTS LIST  
 01.1 Page 1076Z  
 Jul 01/03

**BOEING**  
 COMPONENT  
 MAINTENANCE MANUAL

FIG. & ITEM	PART NO.	AIRLINE PART NUMBER	NOMENCLATURE 1234567	EFF CODE	QTY PER ASSY
04-310	BACF3F009W021NN		..FILLER	A,D,E ,J L-P	1
315	BACF3F009J010NN		..FILLER	B,C	1
320	BACF3F009P020BN		..FILLER	B,C	1
325	315T3423-1		..PIN	A,D,E ,J L-P	1
330	H2898-1		DELETED		
330A	H2898-3		..KEEPER ASSY- (V83014)	A,D,E ,J L-P	1
			ATTACHING PARTS		
335	BACB30LE4-11		..BOLT	A,D,E ,J L-P	4
340	BMNN10HR4		..NUT- (V08524) (SPEC BACN10HR4) (OPT BMN10HR4 (V97928)) (OPT CR59064 (V62554)) (OPT H964 (V15653)) (OPT RMLH224 (V72962)) (OPT VAL280094 (V06710)) (OPT 678324 (V56878)) (OPT H96-4 (V15653)) (OPT VAL280094 (V06710)) (OPT 678324 (V56878)) (OPT H96-4 (V15653)) (OPT RMLH22-4 (V72962)) -----*	A,D,E ,J L-P	4

**71-11-31**

ILLUSTRATED PARTS LIST  
 01.1 Page 1077  
 Jul 01/03

FIG. & ITEM	PART NO.	AIRLINE PART NUMBER	NOMENCLATURE 1234567	EFF CODE	QTY PER ASSY
04-345	H2899-1		DELETED		
345A	H2899-5		..KEEPER ASSY- (V83014)	A,D,E ,J, L-P	1
350	BACB30NM4K13		ATTACHING PARTS ..BOLT  -----*-----	A,D,E ,J,  L-P	4
355	315T3424-1		..PIN	A,D,E ,J, L-P	3
360	H2850-1		..LATCH ASSY- (V83014) (OPT ITEM 360B) (USED ON ITEM 17)	B,C	1
-360A	S315T110-2		DELETED		
-360B	H2850-2		..LATCH ASSY- (V83014) (SPEC S315T110-2) (OPT 9425-2 (V84256)) (OPT ITEM 360) (USED ON ITEM 17)	B,C	1
-360C	9425-2		DELETED		
-360G	S315T110-2		DELETED		
-360H	H2850-2		..LATCH ASSY- (V83014) (SPEC S315T110-2) (OPT 9425-2 (V84256)) (USED ON ITEMS 15F, 15G, 17A, 17B)	B,C	1
-360J	9425-2		DELETED ATTACHING PARTS		

71-11-31

 ILLUSTRATED PARTS LIST  
 01.1 Page 1078  
 Jul 01/03

**BOEING**  
 COMPONENT  
 MAINTENANCE MANUAL

FIG. & ITEM	PART NO.	AIRLINE PART NUMBER	NOMENCLATURE 1234567	EFF CODE	QTY PER ASSY
04-					
365	315T1448-3		..BOLT-SHOULDER	B,C	1
370	AN960-516L		..WASHER	B,C	AR
370A	AN960PD516L		..WASHER	B,C,G H	AR
370B	AN960-516		..WASHER	B,C	AR
375	BACW10BP5ACU		..WASHER	B,C	1
380	BRH10C4M		..NUT- (V52828) (SPEC BACN10JC4CM) (OPT T6C428JM (V11815)) (OPT 97E48 (V80539)) (OPT 109LH9075-4W (V72962)) (OPT VN303D048 (V92215)) (OPT 9NS202101SE048 (VA8053)) (OPT H01-4BAC (V15653)) -----*	B,C	1
385	315T3412-1		..FITTING ASSY-ATTACH (OPT ITEM 385A)	A,D,E J L-P	1
-385A	315T3412-7		..FITTING ASSY-ATTACH (OPT ITEM 385)	A,D,E J L-P	1
-385B	315T3412-13		DELETED ATTACHING PARTS		
390	NAS1398CW6-9		..RIVET	A,D,E J L-P	4

**71-11-31**

ILLUSTRATED PARTS LIST  
 01.1 Page 1078A  
 Jul 01/03

FIG. & ITEM	PART NO.	AIRLINE PART NUMBER	NOMENCLATURE 1234567	EFF CODE	QTY PER ASSY
04-395	NAS1398CW6-5		..RIVET	A,D,E ,J, L-P	10
400	NAS1398CW6-6		..RIVET	A,D,E ,J, L-P	2
405	NAS1398CW6-8		..RIVET	A,D,E ,J, L-P	4
410	NAS1398CW8-7		..RIVET	A,D,E ,J, L-P	3
412	NAS1398CW8-9		..RIVET	A,D,E ,J, L-P	1
415	NAS1398CW6-4		..RIVET  -----*-----	A,D,E ,J,  L-P	5
420	BACR15CE3D		...RIVET- (SIZE DETERMINE ON INST)	A,D,E ,J, L-P	1
425	BACR15CE3D		...RIVET- (OPT ITEM 425A) (SIZE DETERMINE ON INST)	A,D,E ,J, L-P	1
-425A	AF5141-3C		...RIVET- (V53551) (SPEC BACR15DR3AC) (OPT CCR264CS3C (V11815)) (OPT RV541A3C (V98996)) (OPT ITEM 425) (SIZE DETERMINE ON INST)	A,D,E ,J, L-P	1
430	BACN10JB4CFM		DELETED		

71-11-31

 ILLUSTRATED PARTS LIST  
 01.1 Page 1078B  
 Jul 01/03




**BOEING**  
 COMPONENT  
 MAINTENANCE MANUAL

FIG. & ITEM	PART NO.	AIRLINE PART NUMBER	NOMENCLATURE 1234567	EFF CODE	QTY PER ASSY
04-430A	BRF200C4M		...NUTPLATE- (V52828) (SPEC BACN10JR4CFM) (OPT F5001-4BAC (V15653)) (OPT NS103203SE048 (V80539)) (OPT T8092C428 (V11815)) (OPT VN152D1-048 (V92215)) (OPT 109F9201-4 (V72962))	A,D,E ,J, L-P	1
-430B 432	BACN10JR4CD 315T3412-2		DELETED ...FITTING- (REPLD BY ITEM 432A) (USED ON ITEM 385)	A,D,E ,J, L-P	1
-432A	315T3412-6		...FITTING- (REPLS ITEM 432) (OPT ITEM 432B) (USED ON ITEM 385)	A,D,E ,J, L-P	1
-432B	315T3412-4		...FITTING- (OPT ITEM 432A) (USED ON ITEM 385)	A,D,E ,J, L-P	1
-432C	315T3412-9		...FITTING- (USED ON ITEM 385A)	A,D,E ,J, L-P	1
-432D 440 441 441G 442 442G	315T3412-14 BACF3F011J011NN NAS603-10P BACR15BB3F BACN10KB3F BACN10JR3F		DELETED ..FILLER DELETED DELETED DELETED DELETED		1

71-11-31

 ILLUSTRATED PARTS LIST  
 01.1 Page 1078C  
 Jul 01/03

FIG. & ITEM	PART NO.	AIRLINE PART NUMBER	NOMENCLATURE 1234567	EFF CODE	QTY PER ASSY
04-					
443	315T3708-2		DELETED		
443A	315T3708-5		DELETED		
444	315T3708-4		DELETED		
444A	315T3708-6		DELETED		
445	315T3413-1		..FITTING ASSY-ATTACH (USED ON ITEM 17)	B,C	1
-445A	315T3413-9		DELETED		
-445B	315T3413-13		DELETED		
-445C	315T3413-17		..FITTING ASSY-ATTACH (USED ON ITEM 17A, 17B)	B,C	1
-445D	315T3413-19		DELETED		
			ATTACHING PARTS		
450	NAS1398CW6-9		..RIVET	B,C	4
455	NAS1398CW6-8		..RIVET	B,C	5
460	NAS1398CW6-5		..RIVET	B,C	11
465	NAS1398CW6-6		..RIVET	B,C	1
470	NAS1398CW6-4		..RIVET	B,C	4
472	NAS1398CW8-9		..RIVET	B,C	1
474	NAS1398CW8-7		..RIVET	B,C	3
			-----*-----		
475	BACB28AM04B034A		...BUSHING- (USED WITH ITEMS 510A, 510E)	B,C	1
-475A	BACB28AM04B027A		...BUSHING- (USED WITH ITEM 510B, 519)	B,C	1
-475B	BACB28AM04B011A		...BUSHING- (USED WITH ITEM 511)	B,C	1
480	BACB28W3B037		...BUSHING- (USED WITH ITEMS 510A, 510E, 511)	B,C	1
-480A	BACB28W3B053		...BUSHING- (USED WITH ITEMS 510B, 519)	B,C	1

71-11-31

 ILLUSTRATED PARTS LIST  
 01.1 Page 1078D  
 Jul 01/03


**BOEING**  
 COMPONENT  
 MAINTENANCE MANUAL

FIG. & ITEM	PART NO.	AIRLINE PART NUMBER	NOMENCLATURE 1234567	EFF CODE	QTY PER ASSY
04-					
485	BACB28Y5C037		...BUSHING	B,C	2
490	BACB28X6C020		...BUSHING	B,C	1
495	MS21141-0504P		...FASTENER- (USED ON ITEM 445C)	B,C	2
500	315T3413-11		...STRIP-RUB (USED ON ITEM 445C)	B,C	1
502	BACB30NW5K		DELETED		
503	BACC30M5		DELETED		
507	315T3708-2		DELETED		
508	315T3708-4		DELETED		
510	315T3413-2		...FITTING- (REPLD BY ITEM 511) (USED ON ITEM 445)	B,C	1
-510A	315T3413-10		...FITTING- (OPT ITEM 510B) (USED ON ITEM 445C)	B,C	1
-510B	315T3413-4		...FITTING- (OPT ITEM 510A) (USED ON ITEM 445C)	B,C	1
510C	315T3413-6		DELETED		
-510D	315T3413-14		DELETED		
-510E	315T3413-10		DELETED		
-510F	315T3413-14		DELETED		
511	315T3413-6		...FITTING ASSY- (REPLS ITEM 510) (OPT ITEM 519) (USED ON ITEM 445)	B,C	1
512	MS21141-0503P		....FASTENER	B,C	7
514	MS21141-0506P		....FASTENER	B,C	1
516	315T3576-1		....SUPPORT	B,C	1
518	315T3413-7		....FITTING	B,C	1
-519	315T3413-4		...FITTING- (OPT ITEM 511) (USED ON ITEM 445)	B,C	1
520	BACF3T03L9-10		..FILLER		1
525	BACF3T04M12-20		..FILLER		1
528	BACF3F011J011NN		..FILLER		1
530	H2876-3		..LATCH ASSY- (V83014) ATTACHING PARTS	B,C	3
535	315T1448-2		..BOLT-SHOULDER	B,C	3
540	AN960-516L		..WASHER	B,C	AR
540A	AN960PD516L		..WASHER	B,C	AR
540B	AN960-516		..WASHER	B,C	AR
545	BACW10BP5ACU		..WASHER	B,C	3

71-11-31

 ILLUSTRATED PARTS LIST  
 01.1 Page 1078E  
 Jul 01/03

FIG. & ITEM	PART NO.	AIRLINE PART NUMBER	NOMENCLATURE 1234567	EFF CODE	QTY PER ASSY
04-550	BRH10C4M		..NUT- (V52828) (SPEC BACN10JC4CM) (OPT T6C428JM (V11815)) (OPT 97E48 (V80539)) (OPT 109LH9075-4W (V72962)) (OPT VN303D048 (V92215)) (OPT 9NS202101SE048 (VA8053)) (OPT H01-4BAC (V15653)) -----*	B,C	3
555	315T3422-7		..ZEE ASSY- (USED ON ITEM 10)	A,D,E ,J, L-P	1
-555A	315T3422-11		..ZEE ASSY- (USED ON ITEM 10B)	A,D,E ,J, L-P	1
-555B	315T3422-13		DELETED		
-555C	315T3422-15		DELETED		
			ATTACHING PARTS		
558	HL13VAZ6-5		..BOLT- (V56878) (SPEC BACB30NY6K5) (OPT HL13VAZ6-5 (V73197)) (OPT HL13VAZ6-5 (V92215)) (OPT HL13VAZ6-5 (V97928)) (OPT L801-6K5 (V06725)) (OPT HL13VAZ6-5 (V08524)) (OPT HL13V5 (V06725)) (OPT HL13VAZ6-5 (V17446))	A,D,E ,J, L-P	1

71-11-31

 ILLUSTRATED PARTS LIST  
 01.1 Page 1078F  
 Jul 01/03

**BOEING**  
 COMPONENT  
 MAINTENANCE MANUAL

FIG. & ITEM	PART NO.	AIRLINE PART NUMBER	NOMENCLATURE	EFF CODE	QTY PER ASSY
04-560	HL1012AZ6-5		1234567 ..BOLT- (V97928) (SPEC BACB30NX6K5) (OPT HL12VAZ6-5 (V73197)) (OPT HL12VAZ6-5 (V92215)) (OPT HL12VAZ6-5 (V97928)) (OPT L802-6K5 (V06725)) (OPT HL12VAZ6-5 (V56878)) (OPT HL1012AZ6-5 (V0PTK6)) (OPT HL1012AZ6-5 (V06725)) (OPT HL1012AZ6-5 (V06950)) (OPT HL1012AZ6-5 (V17446)) (OPT HL1012AZ6-5 (V56878)) (OPT HL1012AZ6-5 (V60516)) (OPT HL1012AZ6-5 (V73197))	A,D,E ,J, L-P	3
565	BACB30NX6K9		DELETED		

**71-11-31**

ILLUSTRATED PARTS LIST  
 01.1 Page 1078G  
 Jul 01/03

FIG. & ITEM	PART NO.	AIRLINE PART NUMBER	NOMENCLATURE 1234567	EFF CODE	QTY PER ASSY
04-570	HL1012AZ6-7		..BOLT- (V97928) (SPEC BACB30NX6K7) (OPT HL12VAZ6-7 (V73197)) (OPT HL12VAZ6-7 (V92215)) (OPT HL12VAZ6-7 (V97928)) (OPT L802-6K7 (V06725)) (OPT HL12VAZ6-7 (V56878)) (OPT HL1012AZ6-7 (V0PTK6)) (OPT HL1012AZ6-7 (V06725)) (OPT HL1012AZ6-7 (V06950)) (OPT HL1012AZ6-7 (V17446)) (OPT HL1012AZ6-7 (V56878)) (OPT HL1012AZ6-7 (V60516)) (OPT HL1012AZ6-7 (V73197))	A,D,E J L-P	2

**71-11-31**

 ILLUSTRATED PARTS LIST  
 01.1 Page 1078H  
 Jul 01/03

**BOEING**  
 COMPONENT  
 MAINTENANCE MANUAL

FIG. & ITEM	PART NO.	AIRLINE PART NUMBER	NOMENCLATURE	EFF CODE	QTY PER ASSY
04-575	HL1012AZ6-8		1234567 ..BOLT- (V97928) (SPEC BACB30NX6K8) (OPT HL12VAZ6-8 (V73197)) (OPT HL12VAZ6-8 (V92215)) (OPT HL12VAZ6-8 (V97928)) (OPT L802-6K8 (V06725)) (OPT HL12VAZ6-8 (V56878)) (OPT HL1012AZ6-8 (V0PTK6)) (OPT HL1012AZ6-8 (V06725)) (OPT HL1012AZ6-8 (V06950)) (OPT HL1012AZ6-8 (V17446)) (OPT HL1012AZ6-8 (V56878)) (OPT HL1012AZ6-8 (V60516)) (OPT HL1012AZ6-8 (V73197))	A,D,E ,J, L-P	4

**71-11-31**

ILLUSTRATED PARTS LIST  
 01.1 Page 1078I  
 Jul 01/03

FIG. & ITEM	PART NO.	AIRLINE PART NUMBER	NOMENCLATURE 1234567	EFF CODE	QTY PER ASSY
04-580	HL1012AZ6-6		..BOLT- (V97928) (SPEC BACB30NX6K6) (OPT HL12VAZ6-6 (V73197)) (OPT HL12VAZ6-6 (V92215)) (OPT HL12VAZ6-6 (V97928)) (OPT L802-6K6 (V06725)) (OPT HL12VAZ6-6 (V56878)) (OPT HL1012AZ6-6 (V0PTK6)) (OPT HL1012AZ6-6 (V06725)) (OPT HL1012AZ6-6 (V06950)) (OPT HL1012AZ6-6 (V17446)) (OPT HL1012AZ6-6 (V56878)) (OPT HL1012AZ6-6 (V60516)) (OPT HL1012AZ6-6 (V73197))	A,D,E J L-P	3
585	HL1187-6		..COLLAR- (V5M902) (SPEC BACC30X6) (OPT HL87-6 (V73197)) (OPT HL87-6 (V92215)) (OPT HL1187-6 (V56878)) (OPT HL1187-6 (V92215)) (OPT HL87-6 (V56878)) (OPT HL1187-6 (V73197))	A,D,E J L-P	13

71-11-31

 ILLUSTRATED PARTS LIST  
 01.1 Page 1078J  
 Jul 01/03



**BOEING**  
 COMPONENT  
 MAINTENANCE MANUAL

FIG. & ITEM	PART NO.	AIRLINE PART NUMBER	NOMENCLATURE 1234567	EFF CODE	QTY PER ASSY
04-					
590	MS21141-66P		DELETED		
590A	MS21141-6P6		DELETED		
590B	MS21141-0606P		..FASTENER	A,D,E J L-P	19
595	MS21141-64P		DELETED		
595A	MS21141-6P4		DELETED		
595B	MS21141-0604P		..FASTENER	A,D,E J L-P	7
600	NAS1398CW6-8		..RIVET	A,D,E J L-P	1
605	HL10VAZ8-10		..BOLT- (V60516) (SPEC BACB30MY8K10) (OPT B30MY8K10 (V97928))	A,D,E J L-P	1
610	HL10VAZ8-4		..BOLT- (V60516) (SPEC BACB30MY8K4) (OPT B30MY8K4 (V97928))	A,D,E J L-P	5
R 613	BACB30MY6K9		DELETED		
613A	HL11VAZ6-9		..BOLT- (V60516) (SPEC BACB30NW6K9) (OPT B30NW6K9 (V97928)) (OPT HL11VAZ6-9 (V73197)) (OPT HL11VAZ6-9 (V92215)) (OPT HL11VAZ6-9 (V97928)) (OPT L803-6K9 (V06725)) (OPT HL11VAZ6-9 (V0PTK6)) (OPT HL11VAZ6-9 (V56878))	A,D,E J L-P	1

**71-11-31**

ILLUSTRATED PARTS LIST  
 01.1 Page 1078K  
 Jul 01/03

FIG. & ITEM	PART NO.	AIRLINE PART NUMBER	NOMENCLATURE 1234567	EFF CODE	QTY PER ASSY
04-615	HL10VAZ8-2		..BOLT- (V60516) (SPEC BACB30MY8K2) (OPT B30MY8K2 (V97928))	A,D,E ,J, L-P	7
617	AN960PD10L		..WASHER	A,D,E ,J, L-P	1
620	HL79-8		..COLLAR- (V5M902) (SPEC BACC30M8) (OPT HL79-8 (V73197)) (OPT HL79-8 (V92215)) (OPT 66014-8 (V56878)) (OPT HL79-8 (V56878))	A,D,E ,J, L-P	12
621	BACN10GW3		..NUT	A,D,E ,J, L-P	1
623 623A	BACN10JC3 BRH10A4		DELETED ..NUT- (V52828) (SPEC BACN10JC4) (OPT T6S428J (V11815)) (OPT 96-048 (V80539)) (OPT VN303A048 (V92215)) (OPT RMLH9075-4W (V72962)) (OPT NS202101-048 (V80539)) (OPT H10-4BAC (V15653))	A,D,E ,J, L-P	1

71-11-31

 ILLUSTRATED PARTS LIST  
 01.1 Page 1078L  
 Jul 01/03


**BOEING**  
 COMPONENT  
 MAINTENANCE MANUAL

FIG. & ITEM	PART NO.	AIRLINE PART NUMBER	NOMENCLATURE 1234567	EFF CODE	QTY PER ASSY
04-625	HL10VAZ6-2		..BOLT- (V60516) (SPEC BACB30MY6K2) (OPT B30MY6K2 (V97928))	A,D,E ,J, L-P	6
630	HL10VAZ6-7		..BOLT- (V60516) (SPEC BACB30MY6K7) (OPT B30MY6K7 (V97928))	A,D,E ,J, L-P	3
633	HL10VAZ6-8		..BOLT- (V60516) (SPEC BACB30MY6K8) (OPT B30MY6K8 (V97928))	A,D,E ,J, L-P	1
R 635	HL11VAZ6-2		..BOLT- (V60516) (SPEC BACB30NW6K2) (OPT B30NW6K2 (V97928)) (OPT HL11VAZ6-2 (V73197)) (OPT HL11VAZ6-2 (V92215)) (OPT HL11VAZ6-2 (V97928)) (OPT L803-6K2 (V06725)) (OPT HL11VAZ6-2 (V0PTK6)) (OPT HLVAZ6-2 (V56878))	A,D,E ,J, L-P	1

71-11-31

 ILLUSTRATED PARTS LIST  
 01.1 Page 1078M  
 Jul 01/03

FIG. & ITEM	PART NO.	AIRLINE PART NUMBER	NOMENCLATURE 1234567	EFF CODE	QTY PER ASSY
R	04- 640 645	BACB30NW6K5 HL11VAZ6-3	DELETED ..BOLT- (V60516) (SPEC BACB30NW6K3) (OPT B30NW6K3 (V97928)) (OPT HL11VAZ6-3 (V73197)) (OPT HL11VAZ6-3 (V92215)) (OPT HL11VAZ6-3 (V97928)) (OPT L803-6K3 (V06725)) (OPT HL11VAZ6-3 (V0PTK6)) (OPT HL11VAZ6-3 (V56878))	A,D,E ,J, L-P	2
	650	HL79-6	..COLLAR- (V5M902) (SPEC BACC30M6) (OPT HL79-6 (V73197)) (OPT HL79-6 (V92215)) (OPT 66014-6 (V56878)) (OPT HL79-6 (V56878))	A,D,E ,J, L-P	11

71-11-31

 ILLUSTRATED PARTS LIST  
 01.1 Page 1078N  
 Jul 01/03


**BOEING**  
 COMPONENT  
 MAINTENANCE MANUAL

FIG. & ITEM	PART NO.	AIRLINE PART NUMBER	NOMENCLATURE 1234567	EFF CODE	QTY PER ASSY
04- 651	H10-3BAC		..NUT- (V15653) (SPEC BACN10JC3) (OPT NS202101-02 (V80539)) (OPT RMLH9075-3W (V72962)) (OPT T6S1032J (V71087)) (OPT VN303A02 (V92215)) (OPT 96-02 (V80539)) (OPT BRH10A3 (V52828))	A,D,E ,J, L-P	2
652	BACB30NU3-5		DELETED		
653	BACB30NU3K5		DELETED		
653A	BACB30NU3K6		..BOLT	A,D,E ,J, L-P	3
654	AN960PD10L		DELETED		
654G	BACN10GW3		DELETED		
654H	MS21042L3		..NUT	A,D,E ,J, L-P	3
R 655	HL11VAZ5-3		..BOLT- (V60516) (SPEC BACB30NW5K3) (OPT B30NW5K3 (V97928)) (OPT HL11VAZ5-3 (V73197)) (OPT HL11VAZ5-3 (V92215)) (OPT HL11VAZ5-3 (V97928)) (OPT L803-5K3 (V06725)) (OPT HL11VAZ5-3 (V0PTK6)) (OPT HL11VAZ5-3 (V56878))	A,D,E ,J, L-P	9

71-11-31

ILLUSTRATED PARTS LIST

01.1 Page 10780

Jul 01/03

FIG. & ITEM	PART NO.	AIRLINE PART NUMBER	NOMENCLATURE 1234567	EFF CODE	QTY PER ASSY
04-660	HL79-5		..COLLAR- (V5M902) (SPEC BACC30M5) (OPT HL70-5 (V73197)) (OPT HL70-5 (V92215)) (OPT 66014-5 (V56878)) (OPT HL70-5 (V56878)) -----*	A,D,E ,J, L-P	9
665	BACB30NM4K12		...BOLT	A,D,E ,J, L-P	8
670	H2899-1		DELETED		
670A	H2899-5		...KEEPER ASSY- (V83014)	A,D,E ,J, L-P	2
675	BACR15CE3D		...RIVET- (SIZE DETERMINE ON INST)	A,D,E ,J, L-P	24
680	109F177-4		...NUTPLATE- (V72962) (SPEC BACN10JA4CM) (OPT F2401-4 (V15653)) (OPT 43710E048 (V80539)) (OPT BRF110C4M (V52828)) (OPT BRF170C4M (V52828))	A,D,E ,J, L-P	6

71-11-31

 ILLUSTRATED PARTS LIST  
 01.1 Page 1078P  
 Jul 01/03


**BOEING**  
 COMPONENT  
 MAINTENANCE MANUAL

FIG. & ITEM	PART NO.	AIRLINE PART NUMBER	NOMENCLATURE 1234567	EFF CODE	QTY PER ASSY
04-685	BRM300C4M		...NUTPLATE- (V52828) (SPEC BACN10JP4CCM) (OPT MK3001-4BAC (V15653)) (OPT NS103199SE048 (V80539)) (OPT T8082C428 (V11815)) (OPT VN203D1-048 (V92215)) (OPT 109A9205M4 (V72962))	A,D,E ,J, L-P	6
687	315T3422-8		...ZEE- (USED ON ITEM 555)	A,D,E ,J, L-P	1
-687A	315T3422-12		...ZEE- (USED ON ITEM 555A)	A,D,E ,J, L-P	1
-687B	315T3422-16		DELETED		
690	315T3417-3		...BUSHING ASSY	A,D,E ,J, L-P	3
R 695	HL11VAZ5-7		ATTACHING PARTS ...BOLT- (V60516) (SPEC BACB30NW5K7) (OPT B30NW5K7 (V97928)) (OPT HL11VAZ5-7 (V73197)) (OPT HL11VAZ5-7 (V92215)) (OPT HL11VAZ5-7 (V97928)) (OPT L803-5K7 (V06725)) (OPT HL11VAZ5-7 (V0PTK6)) (OPT HL11VAZ5-7 (V56878))	A,D,E ,J, L-P	12

71-11-31

ILLUSTRATED PARTS LIST

01.1 Page 1078Q

Jul 01/03

FIG. & ITEM	PART NO.	AIRLINE PART NUMBER	NOMENCLATURE 1234567	EFF CODE	QTY PER ASSY
04-700	HL79-5		...COLLAR- (V5M902) (SPEC BACC30M5) (OPT HL70-5 (V73197)) (OPT HL70-5 (V92215)) (OPT 66014-5 (V56878)) (OPT HL70-5 (V56878)) -----*	A,D,E ,J, L-P	12
705	BACR15CE3M		....RIVET- (SIZE DETERMINE ON INST)	A,D,E ,J, L-P	2
710	109F177-4		....NUTPLATE- (V72962) (SPEC BACN10JA4CM) (OPT F2401-4 (V15653)) (OPT 43710E048 (V80539)) (OPT BRF110C4M (V52828)) (OPT BRF170C4M (V52828))	A,D,E ,J, L-P	1
715	315T3417-4		....BUSHING	A,D,E ,J, L-P	1

# 71-11-31

 ILLUSTRATED PARTS LIST  
 01.1 Page 1078R  
 Jul 01/03



**BOEING**  
 COMPONENT  
 MAINTENANCE MANUAL

FIG. & ITEM	PART NO.	AIRLINE PART NUMBER	NOMENCLATURE 1234567	EFF CODE	QTY PER ASSY
04- 717 720	315T3400-29 BACB30LL3-3		DELETED ..BOLT	A,D,E ,J, L-P	2
725	315T3411-1		..STRIP-FAIRING	A,D,E ,J, L-P	1
730	BACR15BA3AD		..RIVET- (SIZE DETERMINE ON INST)	A,D,E ,J, L-P	14
735	109F177-3		..NUTPLATE- (V72962) (SPEC BACN10JA3CM) (OPT F2401-3 (V15653)) (OPT 43710E02 (V80539)) (OPT BRF110C3M (V52828)) (OPT BRF170C3M (V52828))	A,D,E ,J, L-P	3
740	BACN10N10JP3DCM		..NUTPLATE	A,D,E ,J, L-P	3
745	BR3000C3M		..NUTPLATE- (V52828) (SPEC BACN10KF3CM) (OPT K3001-3BAC (V15653)) (OPT NS103195SE02 (V80539)) (OPT VN103D1-02 (V92215)) (OPT 102A9205-3 (V72962)) (OPT T8119C3 (V11815))	A,D,E ,J, L-P	1

**71-11-31**

ILLUSTRATED PARTS LIST  
 01.1 Page 1078S  
 Jul 01/03

FIG. & ITEM	PART NO.	AIRLINE PART NUMBER	NOMENCLATURE 1234567	EFF CODE	QTY PER ASSY
04-750	BACR15FT5KE		..RIVET- (SIZE DETERMINE ON INST)	A,D,E ,J, L-P	4
752	MS20615-5MP		DELETED		
755	315T3400-183		DELETED		
755A	315T3665-3		DELETED		
-755B	315T3665-1		DELETED		
-755C	315T3665-2		DELETED		
755D	315T3665-7		..KEEPER-LATCH	A,D,E ,J, L-P	1
-755E	315T3665-5		DELETED		
-755F	315T3665-6		DELETED		
756	315T3400-211		DELETED		
756A	315T3400-249		DELETED		
756B	315T3400-247		..FILLER- (USED WITH ITEM 755A)	A,D,E ,J, L-P	1
757	315T3400-130		..FILLER	A,D,E ,J, L-P	3
760	BACR15CE5KE		..RIVET- (SIZE DETERMINE ON INST)	A,D,E ,J, L-P	2
765	BACR15FT5KE		DELETED		
765A	BACR15CE5D		..RIVET- (SIZE DETERMINE ON INST)	A,D,E ,J, L-P	1
770	315T3400-176		DELETED		

71-11-31

 ILLUSTRATED PARTS LIST  
 01.1 Page 1078T  
 Jul 01/03


**BOEING**  
 COMPONENT  
 MAINTENANCE MANUAL

FIG. & ITEM	PART NO.	AIRLINE PART NUMBER	NOMENCLATURE 1234567	EFF CODE	QTY PER ASSY
04-770A	315T3400-199		..KEEPER-LATCH	A,D,E J L-P	1
785	315T3411-2		..STRIP-FAIRING	B,C	1
788	315T3400-67		..ANGLE	A,D,E J L-P	1
790	BACR15BA3AD		..RIVET- (SIZE DETERMINE ON INST)	B,C	12
795	109F177-3		..NUTPLATE- (V72962) (SPEC BACN10JA3CM) (OPT F2401-3 (V15653)) (OPT 43710E02 (V80539)) (OPT BRF110C3M (V52828)) (OPT BRF170C3M (V52828))	B,C	1
800	MK4001-3BAC		..NUTPLATE- (V15653) (SPEC BACN10JP3DCM) (OPT NS103200SE02 (V80539)) (OPT T8083C1032 (V11815)) (OPT VN204D1-02 (V92215)) (OPT 109A9209M3 (V72962))	B,C	5
802	BACB30LH2-3		..BOLT	B,C	1
804	BACB30LH2-4		..BOLT	B,C	1
806	315T3400-64SP		DELETED		
806A	315T3400-244SP		DELETED		
806B	315T3400-244		..COVER	B,C	1

71-11-31

ILLUSTRATED PARTS LIST

01.1 Page 1078U

Jul 01/03

FIG. & ITEM	PART NO.	AIRLINE PART NUMBER	NOMENCLATURE 1234567	EFF CODE	QTY PER ASSY
R 04-808	HL11VAZ6-5		..BOLT- (V60516) (SPEC BACB30NW6K5) (OPT HL11V6-5 (V92215)) (OPT HL11V6-5 (V97928)) (OPT L803-6-5 (V06725)) (OPT B30NW6K5 (V97928)) (OPT HL11VAZ6-5 (V73197)) (OPT HL11VAZ6-5 (V92215)) (OPT HL11VAZ6-5 (V56878))	B,C	1
810	HL10VAZ6-5		..BOLT- (V60516) (SPEC BACB30MY6K5) (OPT B30MY6K5 (V97928))	B,C	1
812	HL79-6		..COLLAR- (V5M902) (SPEC BACC30M6) (OPT HL79-6 (V73197)) (OPT HL79-6 (V92215)) (OPT 66014-6 (V56878)) (OPT HL79-6 (V56878))	B,C	2
814	NAS1398CW5-3		..RIVET- (OPT ITEM 814A)	B,C	1
-814A	BACR15FT5KE3C		..RIVET- (OPT ITEM 814)	B,C	1
816	NAS1398CW5-4		..RIVET- (OPT ITEM 816A)	B,C	1
-816A	BACR15FT5KE4C		..RIVET- (OPT ITEM 816)	B,C	1
818	BACR15FT6KE		..RIVET- (SIZE DETERMINE ON INST)	B,C	3
820	MS21141-612P		DELETED		

71-11-31

 ILLUSTRATED PARTS LIST  
 01.1 Page 1078V  
 Jul 01/03


**BOEING**  
 COMPONENT  
 MAINTENANCE MANUAL

FIG. & ITEM	PART NO.	AIRLINE PART NUMBER	NOMENCLATURE 1234567	EFF CODE	QTY PER ASSY
04-					
820A	MS21141-0612P		..FASTENER	B,C	2
822	MS21140-611P		DELETED		
822A	MS21140-0611P		..FASTENER	B,C	1
824	315T3400-137		..CLIP-V	B,C	1
826	315T3400-62		..CHANNEL	B,C	1
828	BACR15BA3AD		..RIVET-	B,C	4
			(SIZE DETERMINE ON INST)		
830	BRM200C08M		..NUTPLATE-	B,C	1
			(V52828)		
			(SPEC BACN10JP08ACM)		
			(OPT MK1001-08BAC		
			(V15653))		
			(OPT NS103197SE82		
			(V80539))		
			(OPT T8080C832		
			(V11815))		
			(OPT VN202D1-82		
			(V92215))		
			(OPT 109A9201M82		
			(V72962))		
832	BRF100C08M		..NUTPLATE-	B,C	1
			(V52828)		
			(SPEC BACN10KB08CFM)		
			(OPT 109F9207-82		
			(V72962))		
			(OPT T8113C832C		
			(V11815))		
			(OPT VN151D1-82		
			(V92215))		
			(OPT F2001-08		
			(V15653))		
			(OPT 109F9207-82		
			(V72962))		

71-11-31

ILLUSTRATED PARTS LIST

01.1 Page 1078W

Jul 01/03

FIG. & ITEM	PART NO.	AIRLINE PART NUMBER	NOMENCLATURE 1234567	EFF CODE	QTY PER ASSY
R 04-834	HL11VAZ6-5		..BOLT- (V60516) (SPEC BACB30NW6K5) (OPT HL11V6-5 (V92215)) (OPT HL11V6-5 (V97928)) (OPT L803-6-5 (V06725)) (OPT B30NW6K5 (V97928)) (OPT HL11VAZ6-5 (V73197)) (OPT HL11VAZ6-5 (V92215)) (OPT HL11VAZ6-5 (V56878))	A,D,E ,J, L-P	3
840	HL79-6		..COLLAR- (V5M902) (SPEC BACC30M6) (OPT HL79-6 (V73197)) (OPT HL79-6 (V92215)) (OPT 66014-6 (V56878)) (OPT HL79-6 (V56878))	A,D,E ,J, L-P	3
845	315T3403-5		DELETED		
845A	315T3403-8		..FITTING ASSY-LATCH (USED ON ITEM 17B)	B,C	3

71-11-31

 ILLUSTRATED PARTS LIST  
 01.1 Page 1078X  
 Jul 01/03


**BOEING**  
 COMPONENT  
 MAINTENANCE MANUAL

FIG. & ITEM	PART NO.	AIRLINE PART NUMBER	NOMENCLATURE 1234567	EFF CODE	QTY PER ASSY
04- 850	BACB28X6C015		...BUSHING- (OPT ITEM 850B)	B,C	1
850A	BACB28W6C015		DELETED		
-850B	BACB28AM06B021A		...BUSHING- (OPT ITEM 850)	B,C	1
855	315T3414-1		...BUSHING	B,C	2
860	315T3403-6		DELETED		
860A	315T3403-9		...FITTING- (OPT ITEM 860B)	B,C	1
-860B	315T3403-10		...FITTING- (OPT ITEM 860A)	B,C	1
864	315T3416-1SP		DELETED		
-864A	315T3416-10SP		DELETED		
864B	315T3416-19SP		DELETED		
-864C	315T3416-20SP		DELETED		
864D	315T3416-22		..DOOR ASSY-EXH (USED ON ITEM 17)	B,C	1
-864E	315T3416-23		..DOOR ASSY-EXH (USED ON ITEM 17A, 17B)	B,C	1
-864G	315T3416-12SP		DELETED		
-864H	315T3416-21		DELETED		
-864J	315T3416-32		DELETED		
866	HL10VAZ5-4		ATTACHING PARTS ..BOLT- (V60516) (SPEC BACB30MY5K4) (OPT B30MY5K4 (V97928))	B,C	4
868	HL79-5		..COLLAR- (V5M902) (SPEC BACC30M5) (OPT HL70-5 (V73197)) (OPT HL70-5 (V92215)) (OPT 66014-5 (V56878)) (OPT HL70-5 (V56878))	B,C	4

71-11-31

 ILLUSTRATED PARTS LIST  
 01.1 Page 1078Y  
 Jul 01/03

FIG. & ITEM	PART NO.	AIRLINE PART NUMBER	NOMENCLATURE 1234567	EFF CODE	QTY PER ASSY
04- 870 872	BACB30LE4-7 BMNN10HR4		..BOLT ..NUT- (V08524) (SPEC BACN10HR4) (OPT BMN10HR4 (V97928)) (OPT CR59064 (V62554)) (OPT H964 (V15653)) (OPT RMLH224 (V72962)) (OPT VAL280094 (V06710)) (OPT 678324 (V56878)) (OPT H96-4 (V15653)) (OPT VAL280094 (V06710)) (OPT 678324 (V56878)) (OPT H96-4 (V15653)) (OPT RMLH22-4 (V72962)) -----*-----	B,C B,C	4 4
873	MS16562-3		...PIN-SPR (USED ON ITEM 864E)	B,C	4
874	MS20253P4-300		DELETED		
-874A	MS20253P4-275		DELETED		
874B	MS20253P4-270		...PIN	B,C	2
876	315T3569-1		...FITTING-HINGE (USED ON ITEM 864D)	B,C	1
-876A	315T3569-2		...FITTING-HINGE (USED ON ITEM 864E)	B,C	1
-876B	315T3569-4		DELETED		
877	315T3569-3		DELETED		

71-11-31

 ILLUSTRATED PARTS LIST  
 01.1 Page 1078Z  
 Jul 01/03




**BOEING**  
 COMPONENT  
 MAINTENANCE MANUAL

FIG. & ITEM	PART NO.	AIRLINE PART NUMBER	NOMENCLATURE 1234567	EFF CODE	QTY PER ASSY
04-878	HL13VAZ6-7		...BOLT- (V56878) (SPEC BACB30NY6K7) (OPT HL13VAZ6-7 (V73197)) (OPT HL13VAZ6-7 (V92215)) (OPT HL13VAZ6-7 (V97928)) (OPT L801-6K7 (V06725)) (OPT HL13VAZ6-7 (V08524)) (OPT HL13V7 (V06725)) (OPT L801-6K7 (V0PTK6))	B,C	6
880	AN960-10		...WASHER	B,C	6
882	HL1187DU6		...COLLAR- (V5M902) (SPEC BACC30X6S) (OPT HL87DU6 (V73197)) (OPT HL87DU6 (V92215)) (OPT HL1187DU6 (V56878)) (OPT HL1187DU6 (V92215)) (OPT HL87DU6 (V56878)) (OPT HL1187DU6 (V73197))	B,C	6
884	315T3416-7		...HINGE HALF- (USED ON ITEM 864D)	B,C	1
-884A	315T3416-11		...HINGE HALF- (USED ON ITEM 864E)	B,C	1
885	MS20257C5-300		DELETED		
885A	MS20257YC5-300		...HINGE	B,C	1
885B	MS20257XC5-300		...HINGE HALF- (OPT ITEM 885C)	B,C	1
-885C	315T3416-11		...HINGE HALF- (OPT ITEM 885B)	B,C	1
890	315T3416-6		...DOUBLER	B,C	2
895	BACF3F008R030NN		...FILLER	B,C	1

71-11-31

ILLUSTRATED PARTS LIST

01.1

Page 1079

Jul 01/03

FIG. & ITEM	PART NO.	AIRLINE PART NUMBER	NOMENCLATURE 1234567	EFF CODE	QTY PER ASSY
04-900	BACF3F008N030NN		... FILLER	B,C	1
-902	315T3416-18		DELETED		
905	315T3416-5		... SHIM-TAPERED	B,C	2
907	BACS40R8C30F		... SHIM	B,C	AR
910	HL13VAZ5-4		... BOLT- (V56878) (SPEC BACB30NY5K4) (OPT HL13VAZ5-4 (V73197)) (OPT HL13VAZ5-4 (V92215)) (OPT HL13VAZ5-4 (V97928)) (OPT L801-5K4 (V06725)) (OPT HL13VAZ5-4 (V08524)) (OPT HL13V4 (V06725)) (OPT HL13VAZ5-4 (V17446))	B,C	8
915	HL1187DU5		... COLLAR- (V5M902) (SPEC BACC30X5S) (OPT HL87DU5 (V73197)) (OPT HL87DU5 (V92215)) (OPT HL86DU5 (V73197)) (OPT HL86DU5 (V56878)) (OPT HL86DU5 (V92215)) (OPT HL1187DU5 (V56878)) (OPT HL1187DU5 (V92215)) (OPT HL87DU5 (V56878)) (OPT HL1187DU5 (V73197))	B,C	8

71-11-31

 ILLUSTRATED PARTS LIST  
 01.1 Page 1080  
 Jul 01/03


**BOEING**  
 COMPONENT  
 MAINTENANCE MANUAL

FIG. & ITEM	PART NO.	AIRLINE PART NUMBER	NOMENCLATURE 1234567	EFF CODE	QTY PER ASSY
04-920	H5100-125-330		...LATCH- (V83014) (SPEC BACL10E125-330) (OPT H5100-2-125-330 (V83014))	B,C	2
922	BACL10E125-330		DELETED		
923	BACL10E115-250		DELETED		
925	HL1012AZ5-3		...BOLT- (V97928) (SPEC BACB30NX5K3) (OPT HL12VAZ5-3 (V73197)) (OPT HL12VAZ5-3 (V92215)) (OPT HL12VAZ5-3 (V97928)) (OPT L802-5K3 (V06725)) (OPT HL12VAZ5-3 (V56878)) (OPT HL1012AZ5-3 (V0PTK6)) (OPT HL1012AZ5-3 (V06725)) (OPT HL1012AZ5-3 (V06950)) (OPT HL1012AZ5-3 (V17446)) (OPT HL1012AZ5-3 (V56878)) (OPT HL1012AZ5-3 (V60516)) (OPT HL1012AZ5-3 (V73197)) (USED ON ITEM 864E)	B,C	4

71-11-31

 ILLUSTRATED PARTS LIST  
 01.1 Page 1080A  
 Jul 01/03

FIG. & ITEM	PART NO.	AIRLINE PART NUMBER	NOMENCLATURE 1234567	EFF CODE	QTY PER ASSY
04-930	HL1187DU5		...COLLAR- (V5M902) (SPEC BACC30X5S) (OPT HL87DU5 (V73197)) (OPT HL87DU5 (V92215)) (OPT HL86DU5 (V73197)) (OPT HL86DU5 (V56878)) (OPT HL86DU5 (V92215)) (OPT HL1187DU5 (V56878)) (OPT HL1187DU5 (V92215)) (OPT HL87DU5 (V56878)) (OPT HL1187DU5 (V73197)) (USED ON ITEM 864E)	B,C	4
935	315T3416-8		...BRACKET- (USED ON ITEM 864E)	B,C	1
-937	315T3416-33		DELETED		
940	315T3416-9		...BRACKET- (USED ON ITEM 864E)	B,C	1
941	HL10VAZ5-5		...BOLT- (V60516) (SPEC BACB30MY5K5) (OPT B30MY5K5 (V97928))	B,C	4
941G	HL79-5		...COLLAR- (V5M902) (SPEC BACC30M5) (OPT HL70-5 (V73197)) (OPT HL70-5 (V92215)) (OPT 66014-5 (V56878)) (OPT HL70-5 (V56878))	B,C	4
941J	BACR15BA5D5		...RIVET	B,C	2

71-11-31

 ILLUSTRATED PARTS LIST  
 01.1 Page 1080B  
 Jul 01/03


**BOEING**  
 COMPONENT  
 MAINTENANCE MANUAL

FIG. & ITEM	PART NO.	AIRLINE PART NUMBER	NOMENCLATURE 1234567	EFF CODE	QTY PER ASSY
04-942	315T3416-16		...CHANNEL-RTNR (USED ON ITEM 864D)	B,C	1
942A	315T3416-15		...CHANNEL-RTNR (USED ON ITEM 864D)	B,C	1
942B	315T3416-17		...CHANNEL-RTNR (USED ON ITEM 864D)	B,C	1
942C	315T3416-25		...CHANNEL-RTNR (USED ON ITEM 864E)	B,C	1
-942D	315T3416-24		...CHANNEL-RTNR (USED ON ITEM 864E)	B,C	1
-942E	315T3416-26		...CHANNEL-RTNR (USED ON ITEM 864E)	B,C	1
943	8425-67		...SEAL-FIRE (V11960) (SPEC S315T107-67)	B,C	1
945	315T3416-2		DELETED		
945A	315T3416-2SP		DELETED		
945B	315T3416-27SP		DELETED		
945C	315T3416-27		...DOOR	B,C	1
-945G	315T3416-14SP		DELETED		
-945H	315T3416-28SP		DELETED		
-945J	315T3416-28		DELETED		
950	315T3578-1		..SIGNAL INSTL-LATCH (USED ON ITEM 17B)	B,C	1
955	NAS509-4C		...NUT	B,C	2
960	AN960C416L		...WASHER	B,C	1
965	315T1452-2		...ROD	B,C	1
970	315T3577-1		...SPRING	B,C	1
975	315T1450-2		...FILLER	B,C	1
980	315T1451-2		...HANDLE ASSY	B,C	1
981	315T3401-55		..PANEL ASSY-WALL (OPT ITEM 981A)	A,D,E ,J, L-P	1
-981A	315T3401-67		..PANEL ASSY-WALL (OPT ITEM 981)	A,D,E ,J, L-P	1
-981B	315T3401-77		DELETED		
-981C	315T3401-56		..PANEL ASSY-WALL (OPT ITEM 981D) (USED ON ITEMS 17, 17A)	B,C	1
-981D	315T3401-68		..PANEL ASSY-WALL (OPT ITEM 981C) (USED ON ITEMS 17, 17A)	B,C	1
-981E	315T3401-78		..PANEL ASSY-WALL (USED ON ITEMS 17B)	B,C	1

71-11-31

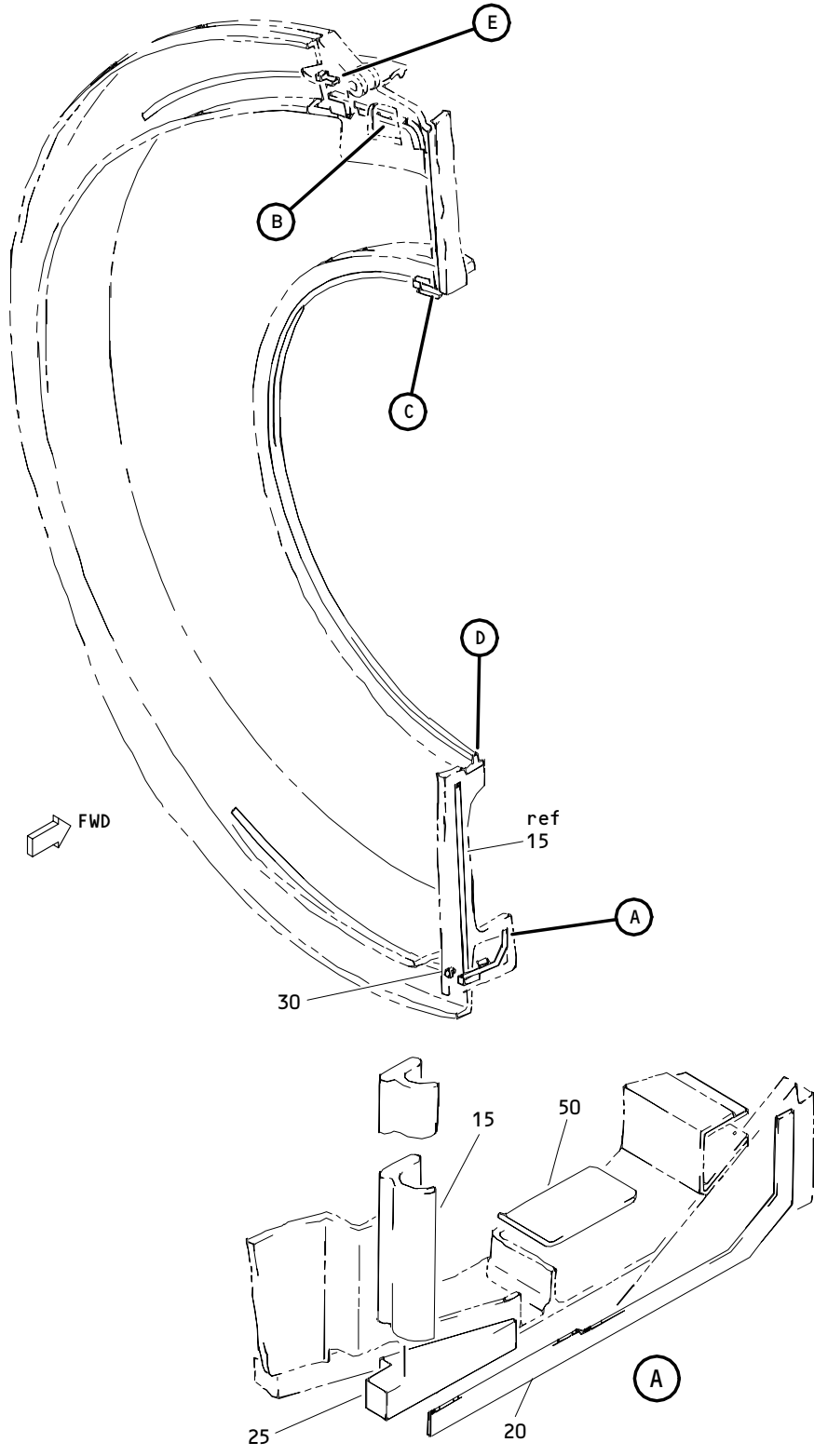
 ILLUSTRATED PARTS LIST  
 01.1 Page 1080C  
 Jul 01/03

FIG. & ITEM	PART NO.	AIRLINE PART NUMBER	NOMENCLATURE 1234567	EFF CODE	QTY PER ASSY
04-982	NAS1398CW4		...RIVET- (SIZE DETERMINE ON INST)	A,D,E ,J, L-P	9
983	315T3401-39		...RETAINER-SEAL	A,D,E ,J, L-P	1
984	315T3401-57		...BOND ASSY- (USED ON ITEM 981)	A,D,E ,J, L-P	1
-984A	315T3401-69		...BOND ASSY- (USED ON ITEM 981A)	A,D,E ,J, L-P	1
-984B	315T3401-79		DELETED		
-984C	315T3401-58		...BOND ASSY- (REPLD BY ITEM 984D) (USED ON ITEM 981C)	B,C	1
-984D	315T3401-72		...BOND ASSY- (REPLS ITEM 984C) (USED ON ITEM 981C)	B,C	1
-984E	315T3401-70		...BOND ASSY- (USED ON ITEM 981D)	B,C	1
-984F	315T3401-80		...BOND ASSY- (USED ON ITEM 981E)	B,C	1
	BAC27TTR0035 315T3708-4		..DECAL DELETED		1

- Item Not Illustrated

71-11-31

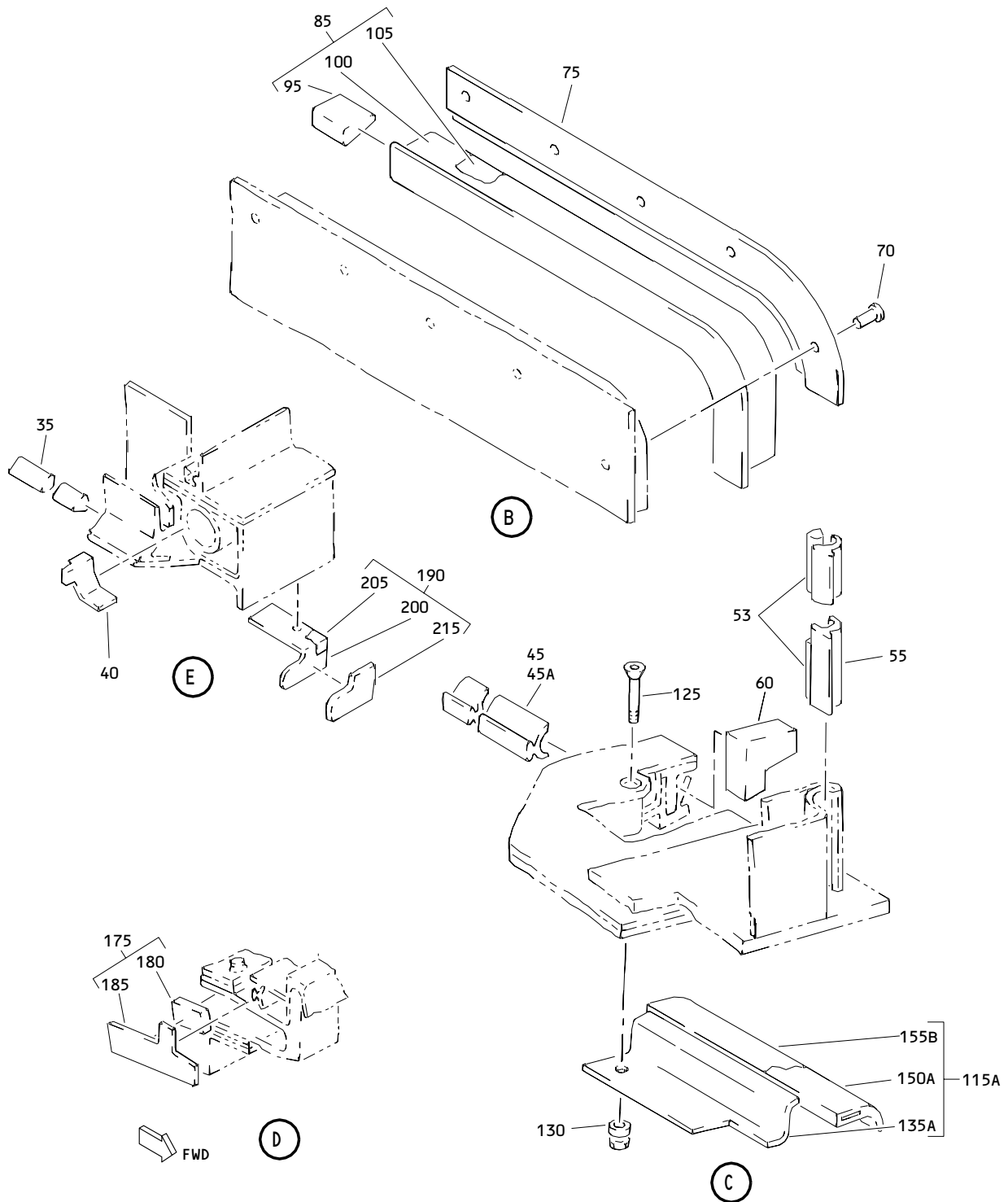
 ILLUSTRATED PARTS LIST  
 01.1 Page 1080D  
 Jul 01/03



Engine Outboard and Inboard Side Fan Duct Thrust Reverser  
Aerodynamic Seal Installation  
Figure 5 (Sheet 1)

**71-11-31**

ILLUSTRATED PARTS LIST  
01.1 Page 1080E  
Jul 01/03



Engine Outboard and Inboard Side Fan Duct Thrust Reverser  
 Aerodynamic Seal Installation  
 Figure 5 (Sheet 2)

**71-11-31**

ILLUSTRATED PARTS LIST  
 01.1 Page 1080F  
 Jul 01/03




**BOEING**  
 COMPONENT  
 MAINTENANCE MANUAL

FIG. & ITEM	PART NO.	AIRLINE PART NUMBER	NOMENCLATURE 1234567	EFF CODE	QTY PER ASSY
05- -1	315T3240-1		SEAL INSTL-THRUST REVERSER FAN DUCT AERODYN	A,D,E ,J, L-P	RF
-5	315T3240-2		SEAL INSTL-THRUST REVERSER FAN DUCT AERODYN	B,C	RF
7	315T3240-6		DELETED		
-8	315T3240-5001		.SEAL INSTL- (LIMITED)	A,D,E ,J, L-P	1
-8A	315T3240-5005		.SEAL INSTL- (LIMITED)	A,D,E ,J, L-P	1
-8B	315T3240-5007		.SEAL INSTL- (LIMITED)	A,D,E ,J, L-P	1
10	315T3240-4		DELETED		
-12	315T3240-5002		.SEAL INSTL- (LIMITED)	B,C	1
-12A	315T3240-5006		.SEAL INSTL- (LIMITED)	B,C	1
-12B	315T3240-5008		.SEAL INSTL- (LIMITED)	B,C	1
15	315T3240-5		..SEAL	A,D,E ,J, L-P	1
20	315T3241-16		..SEAL	A,D,E ,J, L-P	1
25	315T3241-15		..SEAL	A,D,E ,J, L-P	1

71-11-31

 ILLUSTRATED PARTS LIST  
 01.1 Page 1080G  
 Jul 01/03

FIG. & ITEM	PART NO.	AIRLINE PART NUMBER	NOMENCLATURE 1234567	EFF CODE	QTY PER ASSY
05-					
30	315T3241-13		..SEAL		1
35	315T3240-7		..SEAL		1
40	315T3241-14		..SEAL		1
45	315T3240-4		..SEAL-		1
			(OPT ITEM 45B) (USED ON ITEMS 8, 12)		
45A	315T3240-8		..SEAL-		1
			(USED ON ITEMS 8A, 12A, 8B, 12B)		
-45B	315T3240-8		..SEAL-		1
			(OPT ITEM 45) (USED ON ITEMS 8, 12)		
50	315T3240-6		..COVER	A,D,E ,J, L-P	1
53	315T3240-16		..PLUG-		2
			(LIMITED) (USED ON ITEMS 8B, 12B)		
55	315T3240-3		..SEAL		1
60	315T3241-17		..SEAL	A,D,E ,J, L-P	1
-65	315T3241-18		..SEAL	B,C	1
70	BACR15BB5AD		..RIVET-		5
			(SIZE DETERMINE ON INST)		
75	315T3241-1		..RETAINER	A,D,E ,J, L-P	1
-80	315T3241-2		..RETAINER	B,C	1
85	315T3241-3		..SEAL ASSY	A,D,E ,J, L-P	1
-90	315T3241-4		..SEAL ASSY	B,C	1
95	315T3241-20		...PLUG		1
100	315T3241-26		...COVER		1
105	315T3241-21		...SEAL	A,D,E ,J, L-P	1
-110	315T3241-22		...SEAL	B,C	1
115	315T3241-5		DELETED		
115A	315T3241-33		..SEAL ASSY-	A,D,E ,J, L-P	1
			(USED ON ITEMS 8, 8A)		

71-11-31

 ILLUSTRATED PARTS LIST  
 01.1 Page 1080H  
 Jul 01/03

**BOEING**  
 COMPONENT  
 MAINTENANCE MANUAL

FIG. & ITEM	PART NO.	AIRLINE PART NUMBER	NOMENCLATURE 1234567	EFF CODE	QTY PER ASSY
05- -115B	315T3241-41		..SEAL ASSY- (USED ON ITEM 8B)	A,D,E ,J, L-P	1
-120	315T3241-6		DELETED		
-120A	315T3241-34		..SEAL ASSY- (USED ON ITEMS 12, 12A)	B,C	1
-120B	315T3241-42		..SEAL ASSY- (USED ON ITEM 12B) ATTACHING PARTS	B,C	1
125	HL523AZ5-18		..BOLT- (V56878) (SPEC BACB30NZ5K18) (OPT L804-5K18 (V06725)) (OPT HL523AZ5-18 (V92215)) (OPT HL523AZ5-18 (V0PTK6)) (OPT HL523AZ5-18 (V73197)) (OPT HL523AZ5-18 (V97928)) (OPT HL523AZ5-18 (V06725)) (OPT HL523AZ5-18 (V60516))		1
130	HL79-5		..COLLAR- (V5M902) (SPEC BACC30M5) (OPT HL70-5 (V73197)) (OPT HL70-5 (V92215)) (OPT 66014-5 (V56878)) (OPT HL70-5 (V56878)) -----*		1

**71-11-31**

ILLUSTRATED PARTS LIST  
 01.1 Page 1080I  
 Jul 01/03

FIG. & ITEM	PART NO.	AIRLINE PART NUMBER	NOMENCLATURE 1234567	EFF CODE	QTY PER ASSY
05-					
135	315T3241-9		DELETED		
135A	315T3241-37		...BRACKET- (USED ON ITEM 115A)	A,D,E ,J, L-P	1
-135B	315T3241-45		...BRACKET- (USED ON ITEM 115B)	A,D,E ,J, L-P	1
-140	315T3241-10		DELETED		
-140A	315T3241-38		...BRACKET- (USED ON ITEM 120A)	B,C	1
-140B	315T3241-46		...BRACKET- (USED ON ITEM 120B)	B,C	1
145	315T3241-25		DELETED		
150	315T3241-26		DELETED		
150A	315T3241-39		...COVER- (USED ON ITEMS 115A, 120A)		1
-150B	315T3241-47		...COVER- (USED ON ITEMS 115B, 120B)		1
155	315T3241-7		DELETED		
155A	315T3241-23		DELETED		
155B	315T3241-35		...SEAL- (USED ON ITEM 115A)	A,D,E ,J, L-P	1
-155C	315T3241-43		...SEAL- (USED ON ITEM 115B)	A,D,E ,J, L-P	1
-160	315T3241-8		DELETED		
-160A	315T3241-24		DELETED		
-160B	315T3241-36		...SEAL- (USED ON ITEM 120A)	B,C	1
-160C	315T3241-44		...SEAL- (USED ON ITEM 120B)	B,C	1

71-11-31


**BOEING**  
 COMPONENT  
 MAINTENANCE MANUAL

FIG. & ITEM	PART NO.	AIRLINE PART NUMBER	NOMENCLATURE 1234567	EFF CODE	QTY PER ASSY
05- 175	315T3241-19		..SEAL ASSY	A,D,E ,J, L-P	1
180	315T3241-32		...SPACER	A,D,E ,J, L-P	1
185	315T3241-31		...PAD	A,D,E ,J, L-P	1
190	315T3241-11		..SEAL ASSY	A,D,E ,J, L-P	1
-195	315T3241-12		..SEAL ASSY	B,C	1
200	315T3241-26		...COVER		1
205	315T3241-27		...SEAL	A,D,E ,J, L-P	1
-210	315T3241-28		...SEAL	B,C	1
215	315T3241-29		...PAD	A,D,E ,J, L-P	1
-220	315T3241-30		...PAD	B,C	1

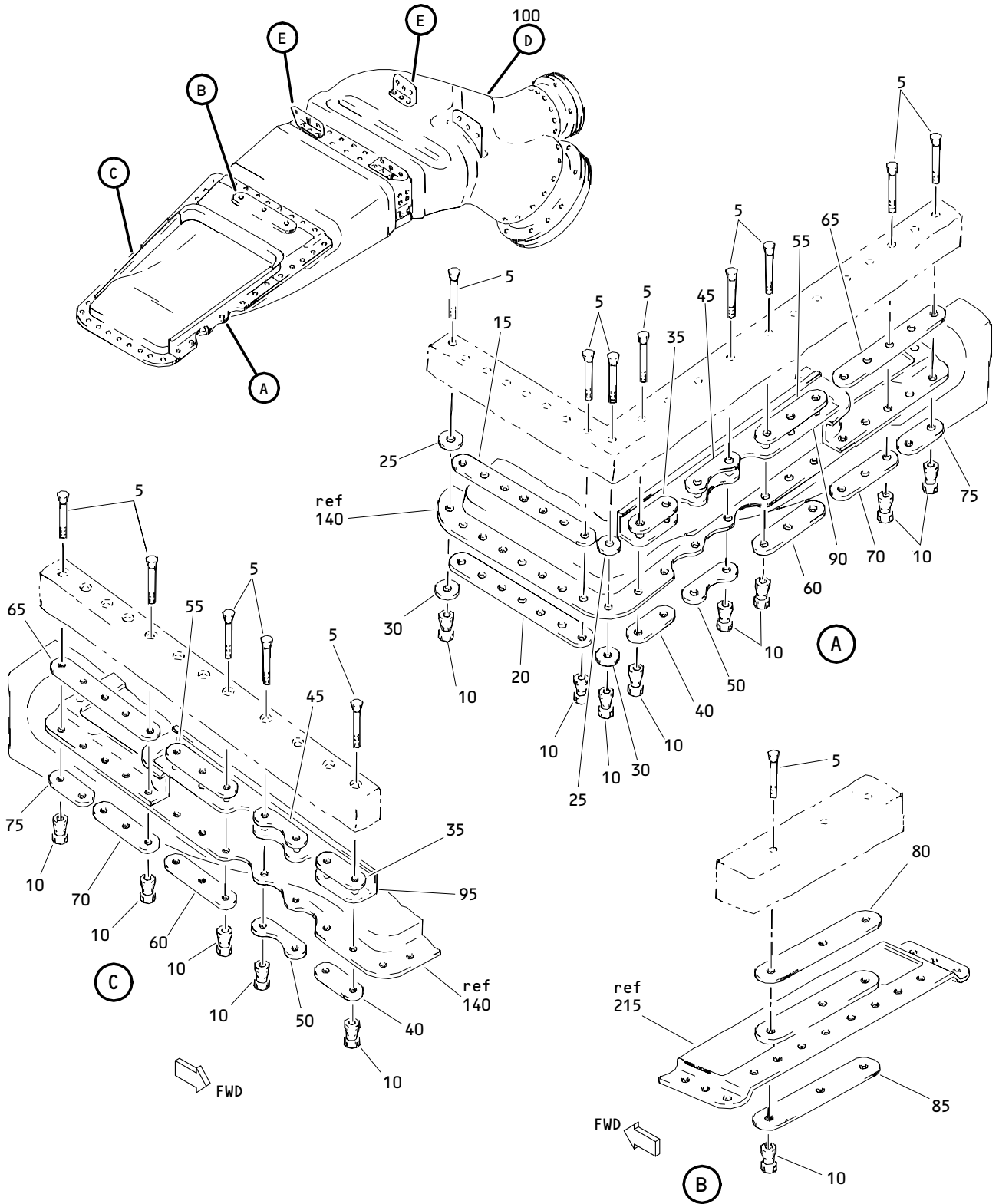
- Item Not Illustrated

# 71-11-31

ILLUSTRATED PARTS LIST

01.1 Page 1080K

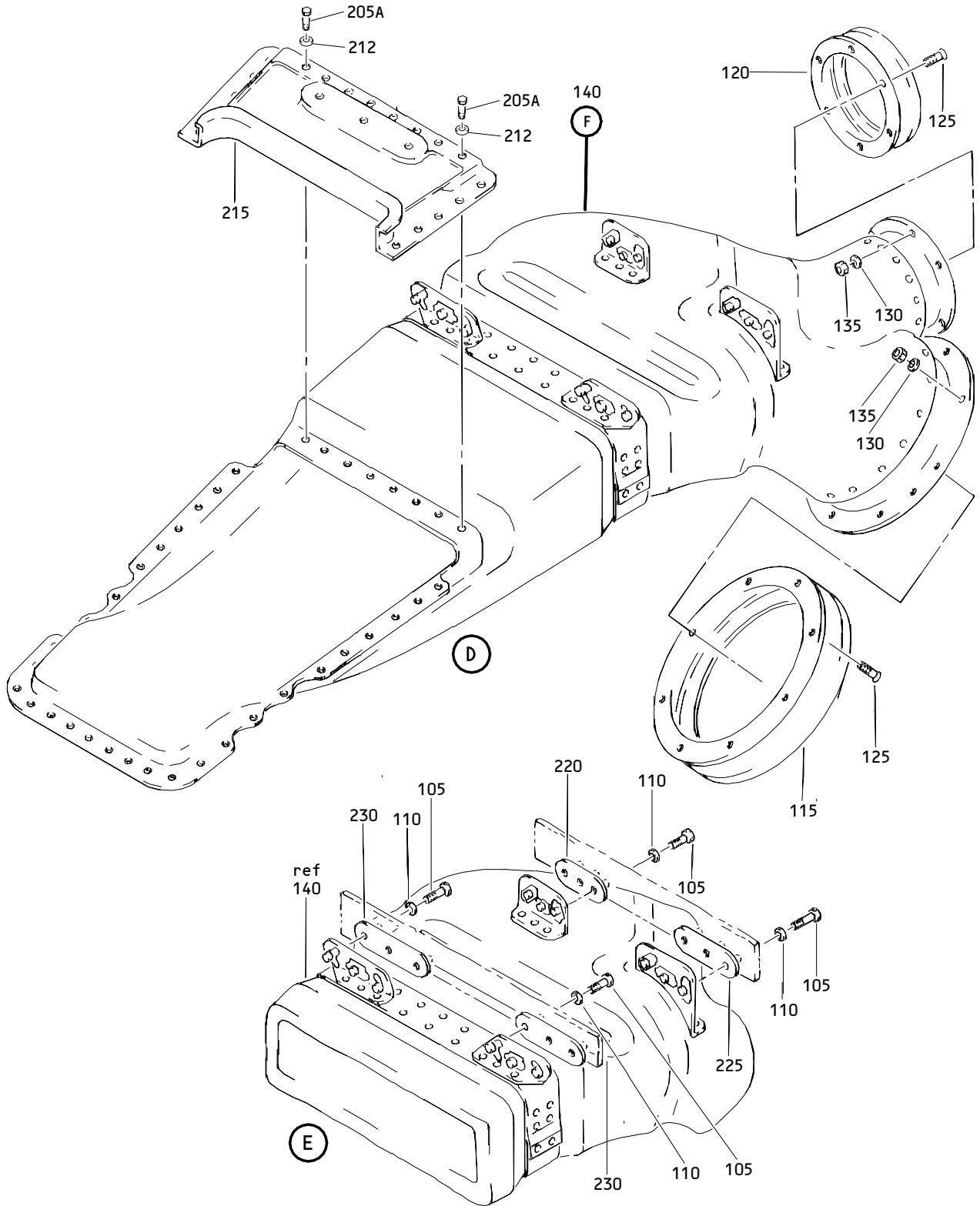
Jul 01/03



Engine Outboard and Inboard Side Fan Duct Inlet Precooler Duct Installation  
 Figure 6 (Sheet 1)

**71-11-31**

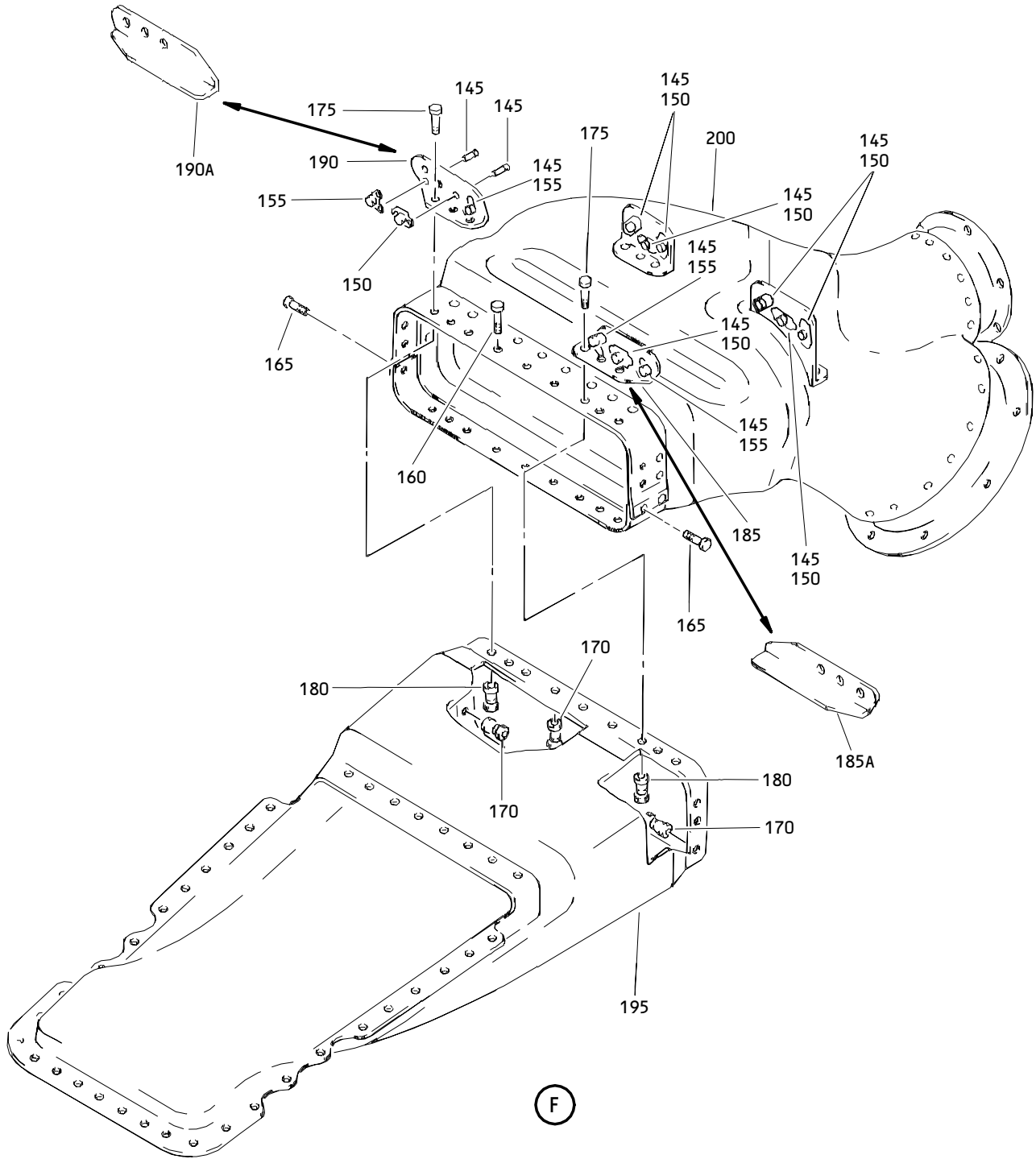
ILLUSTRATED PARTS LIST  
 01.1 Page 1080L  
 Jul 01/03



Engine Outboard and Inboard Side Fan Duct Inlet Precooler Duct Installation  
Figure 6 (Sheet 2)

**71-11-31**

ILLUSTRATED PARTS LIST  
01.1 Page 1080M  
Jul 01/03



Engine Outboard and Inboard Side Fan Duct Inlet Pre-cooler Duct Installation  
Figure 6 (Sheet 3)

**71-11-31**

ILLUSTRATED PARTS LIST  
01.1 Page 1080N  
Jul 01/03




**BOEING**  
 COMPONENT  
 MAINTENANCE MANUAL

FIG. & ITEM	PART NO.	AIRLINE PART NUMBER	NOMENCLATURE 1234567	EFF CODE	QTY PER ASSY
06- -1	315T3126-1		DUCT INSTL-ENG OUTBD AND INBD SIDE FAN DUCT INLET PRECOOLER	B,C	RF
-3	315T3126-5001		.DUCT INSTL- (LIMITED)	B,C	1
-3A	315T3126-5002		.DUCT INSTL- (LIMITED)	B,C	1
-3B	315T3126-5003		.DUCT INSTL- (LIMITED)	B,C	1
-3C	315T3126-5004		.DUCT INSTL- (LIMITED)	B,C	1
-3D	315T3126-5005		.DUCT INSTL- (LIMITED)	B,C	1
5	BACB30NW6K		..BOLT- (SIZE DETERMINE ON INST)	B,C	36
10	HL79-6		..COLLAR- (V5M902) (SPEC BACC30M6) (OPT HL79-6 (V73197)) (OPT HL79-6 (V92215)) (OPT 66014-6 (V56878)) (OPT HL79-6 (V56878))	B,C	36
15	315T3126-7		..SHIM	B,C	1
20	315T3126-8		..STRIP-BACKING	B,C	1
25	315T3126-10		..SHIM	B,C	2
30	315T3126-20		..STRIP-BACKING	B,C	2
35	315T3126-3		..SHIM	B,C	2

71-11-31

ILLUSTRATED PARTS LIST

01.1 Page 10800

Jul 01/03

FIG. & ITEM	PART NO.	AIRLINE PART NUMBER	NOMENCLATURE 1234567	EFF CODE	QTY PER ASSY
06-					
40	315T3126-4		..STRIP-BACKING	B,C	2
45	315T3126-5		..SHIM	B,C	2
50	315T3126-6		..STRIP-BACKING	B,C	2
55	315T3126-15		..SHIM	B,C	2
60	315T3126-16		..STRIP-BACKING	B,C	2
65	315T3126-17		..SHIM	B,C	2
70	315T3126-18		..STRIP-BACKING	B,C	2
75	315T3126-19		..STRIP-BACKING	B,C	2
80	315T3126-9		..SHIM	B,C	1
85	315T3126-21		..STRIP-BACKING	B,C	1
90	315T3137-1		..MOLDING-INLET (USED ON ITEM 3B)	B,C	1
-90A	315T3137-1		..MOLDING-INLET (OPT ITEM 90B) (USED ON ITEMS 3 ,3A, 3C)	B,C	1
-90B	315T3137-3		..MOLDING-INLET (OPT ITEM 90A) (USED ON ITEMS 3 ,3A, 3C)	B,C	1
-90C	315T3137-3		..MOLDING-INLET (USED ON ITEM 3D)	B,C	1
95	315T3137-2		..MOLDING-INLET (USED ON ITEM 3B)	B,C	1
-95A	315T3137-2		..MOLDING-INLET (OPT ITEM 95B) (USED ON ITEMS 3 ,3A, 3C)	B,C	1
-95B	315T3137-4		..MOLDING-INLET (OPT ITEM 95A) (USED ON ITEMS 3 ,3A, 3C)	B,C	1
-95C	315T3137-4		..MOLDING-INLET (USED ON ITEM 3D)	B,C	1

71-11-31

 ILLUSTRATED PARTS LIST  
 01.1 Page 1080P  
 Jul 01/03


**BOEING**  
 COMPONENT  
 MAINTENANCE MANUAL

FIG. & ITEM	PART NO.	AIRLINE PART NUMBER	NOMENCLATURE 1234567	EFF CODE	QTY PER ASSY
06-100	315T3126-2		..SYSTEM ASSY-INLET (USED ON ITEM 3)	B,C	1
-100A	315T3126-25		..SYSTEM ASSY-INLET (USED ON ITEM 3A)	B,C	1
-100B	315T3126-33		..SYSTEM ASSY-INLET (USED ON ITEMS 3B, 3D)	B,C	1
-100C	315T3126-34		..SYSTEM ASSY-INLET (USED ON ITEM 3C)	B,C	1
105	BACB30LJ3-4		ATTACHING PARTS ..BOLT	B,C	12
110	AN960PD10L		..WASHER -----*-----	B,C	12
115	BOE2048-0501		...SEAL- (REPLD BY ITEM 115C) (V16632) (SPEC 60B89012-501) (USED ON ITEM 100)	B,C	1
-115A	60B89012-504		DELETED		
-115B	60B89012-504		DELETED		
-115C	BOE2048-0504		...SEAL- (REPLS ITEM 115) (V16632) (SPEC 60B89012-504) (USED ON ITEM 100)	B,C	1
-115D	BOE2048-0504		...SEAL- (V16632) (SPEC 60B89012-504) (USED ON ITEMS 100A, 100B, 100C)	B,C	1

71-11-31

 ILLUSTRATED PARTS LIST  
 01.1 Page 1080Q  
 Jul 01/03

FIG. & ITEM	PART NO.	AIRLINE PART NUMBER	NOMENCLATURE 1234567	EFF CODE	QTY PER ASSY
06-120	BOE2048-0502		...SEAL ASSY- (REPLD BY ITEM 120C) (V16632) (SPEC 60B89012-502) (USED ON ITEM 100)	B,C	1
-120A	60B89012-505		DELETED		
-120B	60B89012-505		DELETED		
-120C	BOE2048-0505		...SEAL- (REPLS ITEM 120) (V16632) (SPEC 60B89012-505) (USED ON ITEM 100)	B,C	1
-120D	BOE2048-0505		...SEAL- (V16632) (SPEC 60B89012-505) (USED ON ITEMS 100A, 100B, 100C) ATTACHING PARTS	B,C	1
125	BACB30LH3U3		...BOLT	B,C	14
130	AN960C10L		...WASHER	B,C	14
135	BRH10C3		...NUT- (V52828) (SPEC BACN10JC3C) (OPT T6C1032J (V11815)) (OPT 97-02 (V80539)) (OPT 101LH9075-3W (V72962)) (OPT VN303B02 (V92215)) (OPT NS202101S02 (V80539)) (OPT H31-3BAC (V15653)) -----*	B,C	14

71-11-31

 ILLUSTRATED PARTS LIST  
 01.1 Page 1080R  
 Jul 01/03


**BOEING**  
 COMPONENT  
 MAINTENANCE MANUAL

FIG. & ITEM	PART NO.	AIRLINE PART NUMBER	NOMENCLATURE 1234567	EFF CODE	QTY PER ASSY
06-140	315T3125-16		...DUCT ASSY-INLET (USED ON ITEM 100) (REWORKED BY SB 767-78-0074)	B,C	1
-140A	315T3125-19		...DUCT ASSY-INLET (USED ON ITEMS 100A, 100C) (REWORKED BY SB 767-78-0074)	B,C	1
-140B	315T3125-31		...DUCT ASSY-INLET (USED ON ITEM 100B) (REWORKED BY SB 767-78-0074)	B,C	1
145	BACR15CE3D3		....RIVET	B,C	24
150	BRF200C3M		....NUTPLATE- (V52828) (SPEC BACN10JR3CFM) (OPT F5001-3BAC (V15653)) (OPT NS103203SE02 (V80539)) (OPT T8092C1032 (V11815)) (OPT VN152D1-02 (V92215)) (OPT 109F9201-3 (V72962))	B,C	8
155	NS103193SE02		....NUTPLATE- (V80539) (SPEC BACN10KE3DCM) (OPT F51753-3DL (V15653))	B,C	4

71-11-31

 ILLUSTRATED PARTS LIST  
 01.1 Page 1080S  
 Jul 01/03

FIG. & ITEM	PART NO.	AIRLINE PART NUMBER	NOMENCLATURE 1234567	EFF CODE	QTY PER ASSY
06-160	HL10VAZ5-2		....BOLT- (V60516) (SPEC BACB30MY5K2) (OPT B30MY5K2 (V97928))	B,C	16
165	HL10VAZ5-3		....BOLT- (V60516) (SPEC BACB30MY5K3) (OPT B30MY5K3 (V97928))	B,C	2
170	HL79-5		....COLLAR- (V5M902) (SPEC BACC30M5) (OPT HL70-5 (V73197)) (OPT HL70-5 (V92215)) (OPT 66014-5 (V56878)) (OPT HL70-5 (V56878))	B,C	18

# 71-11-31

 ILLUSTRATED PARTS LIST  
 01.1 Page 1080T  
 Jul 01/03

**BOEING**  
 COMPONENT  
 MAINTENANCE MANUAL

FIG. & ITEM	PART NO.	AIRLINE PART NUMBER	NOMENCLATURE 1234567	EFF CODE	QTY PER ASSY
06-175	HL1012AZ5-3		....BOLT- (V97928) (SPEC BACB30NX5K3) (OPT HL12VAZ5-3 (V73197)) (OPT HL12VAZ5-3 (V92215)) (OPT HL12VAZ5-3 (V97928)) (OPT L802-5K3 (V06725)) (OPT HL12VAZ5-3 (V56878)) (OPT HL1012AZ5-3 (V0PTK6)) (OPT HL1012AZ5-3 (V06725)) (OPT HL1012AZ5-3 (V06950)) (OPT HL1012AZ5-3 (V17446)) (OPT HL1012AZ5-3 (V56878)) (OPT HL1012AZ5-3 (V60516)) (OPT HL1012AZ5-3 (V73197))	B,C	6

**71-11-31**

ILLUSTRATED PARTS LIST  
 01.1 Page 1080U  
 Jul 01/03

FIG. & ITEM	PART NO.	AIRLINE PART NUMBER	NOMENCLATURE 1234567	EFF CODE	QTY PER ASSY
06-180	HL1187-5		....COLLAR- (V5M902) (SPEC BACC30X5) (OPT HL87-5 (V73197)) (OPT HL87-5 (V92215)) (OPT HL86PB5 (V73197)) (OPT HL86PB5 (V56878)) (OPT HL86PB5 (V92215)) (OPT HL1187-5 (V56878)) (OPT HL1187-5 (V92215)) (OPT HL87-5 (V56878)) (OPT HL1187-5 (V73197))	B,C	6
185	315T3239-7		....BRACKET- (USED ON ITEM 140)	B,C	1
185A	315T3239-17		....BRACKET- (USED ON ITEMS 140A, 140B)	B,C	1
190	315T3239-8		....BRACKET- (USED ON ITEM 140)	B,C	1
190A	315T3239-18		....BRACKET- (USED ON ITEMS 140A, 140B)	B,C	1

# 71-11-31

 ILLUSTRATED PARTS LIST  
 01.1 Page 1080V  
 Jul 01/03




**BOEING**  
 COMPONENT  
 MAINTENANCE MANUAL

FIG. & ITEM	PART NO.	AIRLINE PART NUMBER	NOMENCLATURE 1234567	EFF CODE	QTY PER ASSY
06-					
195	315T3125-2		....BOND ASSY	B,C	1
200	315T3125-3		....BOND ASSY	B,C	1
205	BACB30FM5A		DELETED		
205A	BACR15BB5B		...RIVET- (SIZE DETERMINE ON INST)	B,C	8
210	BACC30AB5S		DELETED		
212	AN960-8		...WASHER	B,C	8
215	315T3136-1		...BOND ASSY-LIP (USED ON ITEMS 100, 100A)	B,C	1
-215A	315T3136-3		...BOND ASSY-LIP (USED ON ITEMS 100B, 100C)	B,C	1
220	315T3126-11		..SPACER- (USED ON ITEM 3)	B,C	1
-220A	BACS40R09B31F		..SHIM- (USED ON ITEMS 3A, 3B, 3C, 3D)	B,C	AR
225	315T3126-12		..SPACER- (USED ON ITEM 3)	B,C	1
-225A	BACS40R09B41F		..SHIM- (USED ON ITEMS 3A, 3B, 3C, 3D)	B,C	AR
230	315T3126-22		..SHIM- (USED ON ITEM 3)	B,C	2
-230A	BACS40R09B32F		DELETED		
-230B	BACS40R09B30F		..SHIM- (USED ON ITEMS 3A, 3B, 3C, 3D)	B,C	AR

- Item Not Illustrated

# 71-11-31

ILLUSTRATED PARTS LIST  
 01.1 Page 1080W  
 Jul 01/03

FIG. & ITEM	PART NO.	AIRLINE PART NUMBER	NOMENCLATURE 1234567	EFF CODE	QTY PER ASSY
07-					
-1	315T3318-1		DELETED		
-5	315T3318-2		DELETED		
-6	315T3318-5001		DELETED		
-6A	315T3318-5003		DELETED		
-7	315T3318-5002		DELETED		
-7A	315T3318-5004		DELETED		
10	8311-13		DELETED		
15	8311-21		DELETED		
-20	8311-22		DELETED		
25	8311-15		DELETED		
-30	8311-16		DELETED		
35	8311-17		DELETED		
-40	8311-18		DELETED		
45	8311-19		DELETED		
-50	8311-20		DELETED		
55	8311-23		DELETED		
-60	8311-24		DELETED		
65	8311-25		DELETED		
-70	8311-26		DELETED		
72	8311-11		DELETED		
-73	8311-12		DELETED		
75	315T3319-25		DELETED		
-80	315T3319-26		DELETED		
85	BACR15CE3M		DELETED		
90	315T3319-6		DELETED		
-93	315T3319-7		DELETED		
96	315T3319-8		DELETED		
100	315T3319-29		DELETED		
			ATTACHING PARTS		
105	BACS12CK06U5		DELETED		

71-11-31

 ILLUSTRATED PARTS LIST  
 01.1 Page 1080X  
 Jul 01/03


**BOEING**  
 COMPONENT  
 MAINTENANCE MANUAL

FIG. & ITEM	PART NO.	AIRLINE PART NUMBER	NOMENCLATURE 1234567	EFF CODE	QTY PER ASSY
07-					
110	AN960C6		DELETED		
115	315T3319-20		DELETED		
120	315T3319-30		DELETED		
120A	315T3319-40		DELETED		
125	315T3319-23		DELETED		
-130	315T3319-24		DELETED		
135	BACS12CK06U5		DELETED		
140	AN960C6		DELETED		
145	BACN10JC06C		DELETED		
150	BACR15CE3M		DELETED		
155	BACN10KB3CFM		DELETED		
160	BACN10JN3CM		DELETED		
165	BACN10JP06BM		DELETED		
165A	BACN10KB06CFM		DELETED		
170	BACR15CE3M		DELETED		
-175	MS20615-3M		DELETED		
180	315T3319-17		DELETED		
185	315T3319-18		DELETED		
190	315T3319-19		DELETED		
195	315T3319-27		DELETED		
-195G	315T3319-28		DELETED		
200	MS20615-3M		DELETED		
205	315T3318-47		DELETED		
-210	315T3318-48		DELETED		
215	315T3318-27		DELETED		
-220	315T3318-28		DELETED		
225	315T3318-77		DELETED		
-230	315T3318-78		DELETED		
235	BACR15CE3M		DELETED		
240	315T3318-13		DELETED		

71-11-31

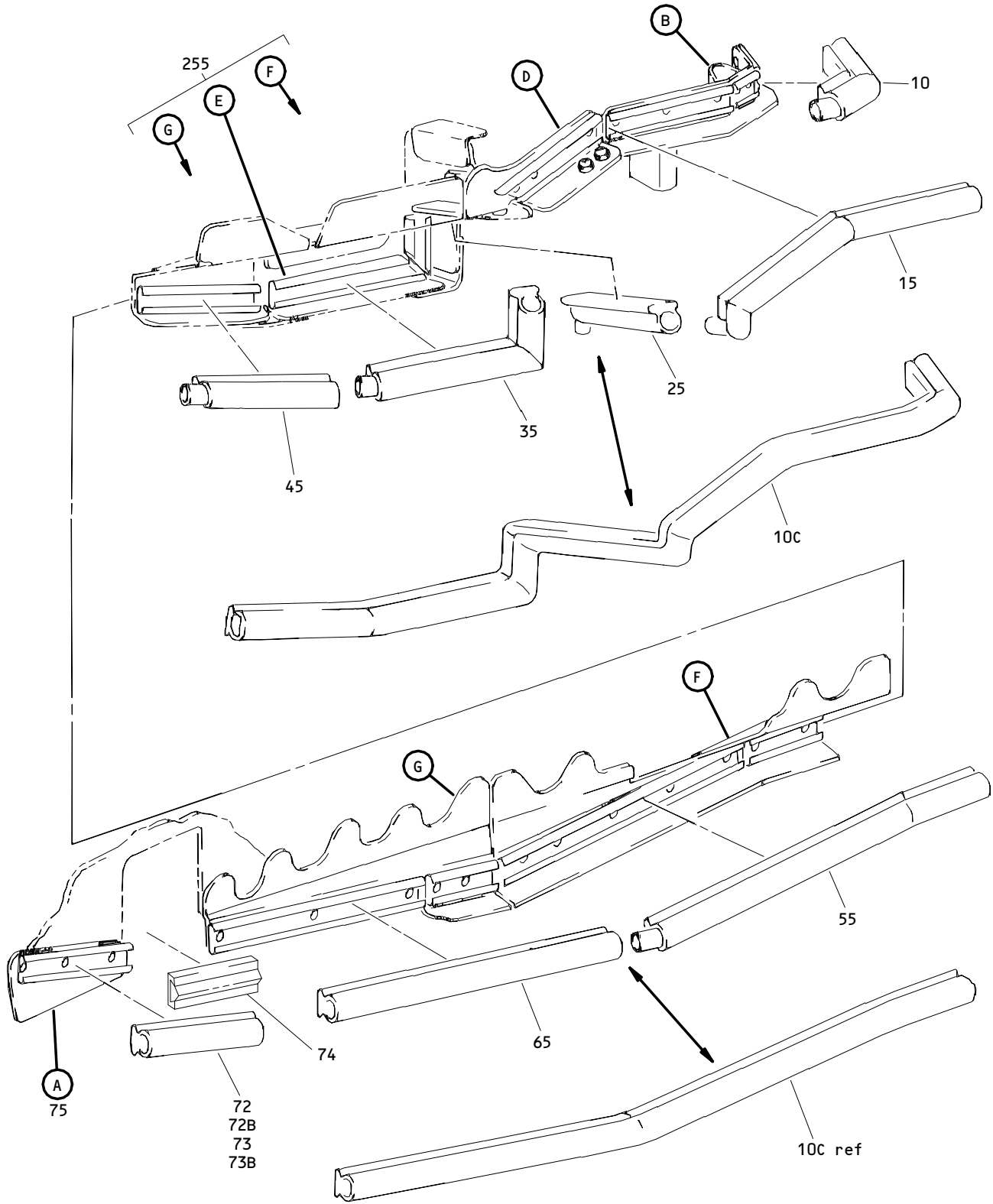
 ILLUSTRATED PARTS LIST  
 01.1 Page 1080Y  
 Jul 01/03

FIG. & ITEM	PART NO.	AIRLINE PART NUMBER	NOMENCLATURE 1234567	EFF CODE	QTY PER ASSY
07-					
-245	315T3318-14		DELETED		
250	315T3318-83		DELETED		
-255	315T3318-84		DELETED		
260	315T3318-85		DELETED		
-265	315T3318-86		DELETED		
270	MS20615-3M		DELETED		
275	315T3318-45		DELETED		
280	315T3318-49		DELETED		
-285	315T3318-50		DELETED		
290	315T3318-51		DELETED		
-295	315T3318-52		DELETED		
300	315T3318-87		DELETED		
-305	315T3318-88		DELETED		
310	315T3318-89		DELETED		
-315	315T3318-90		DELETED		
320	315T3318-73		DELETED		
-325	315T3318-74		DELETED		
330	MS20615-3M		DELETED		
335	315T3318-15		DELETED		
-340	315T3318-16		DELETED		
345	315T3318-79		DELETED		
-350	315T3318-80		DELETED		
355	315T3318-75		DELETED		
-360	315T3318-76		DELETED		
365	MS20615-3M		DELETED		
370	315T3318-11		DELETED		
-375	315T3318-12		DELETED		
380	315T3318-7		DELETED		
-385	315T3318-8		DELETED		
390	315T3318-81		DELETED		
-395	315T3318-82		DELETED		

- Item Not Illustrated

# 71-11-31

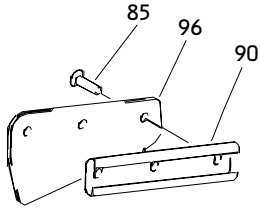
ILLUSTRATED PARTS LIST  
 01.1 Page 1080Z  
 Jul 01/03



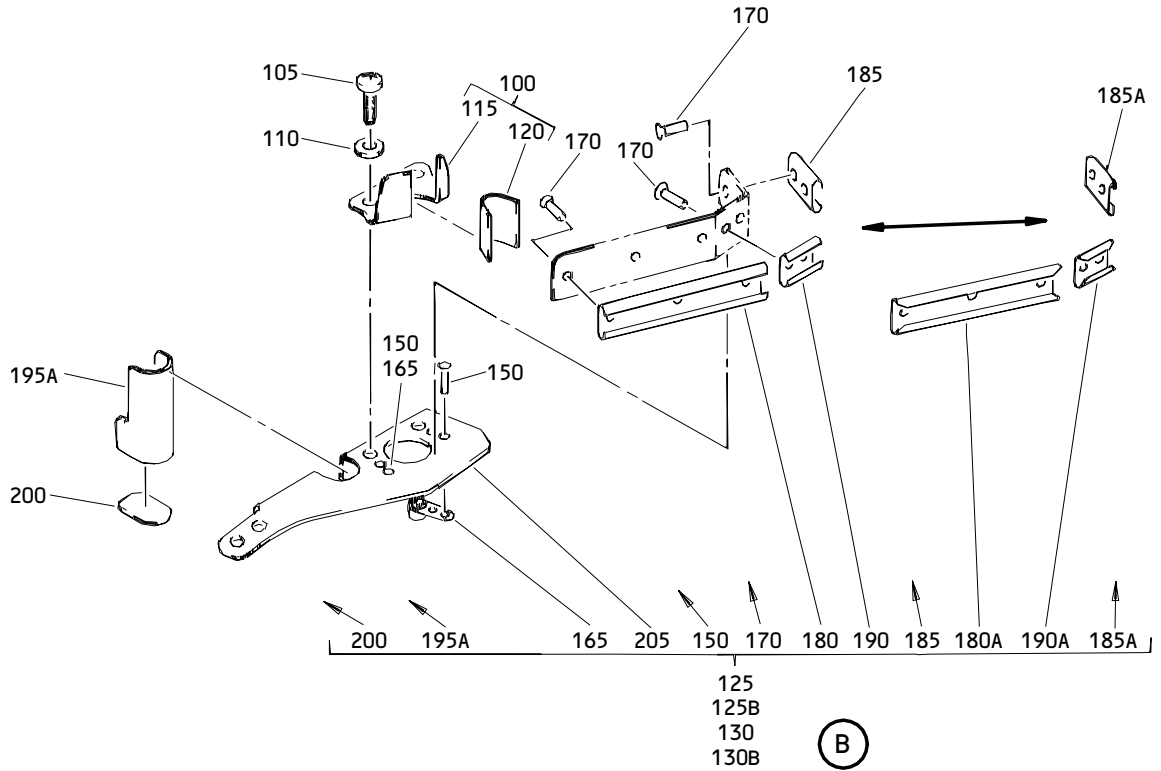
Engine Outboard Side Fan Duct Cowl Upper Bifurcation Seal Installation  
 Figure 8 (Sheet 1)

**71-11-31**

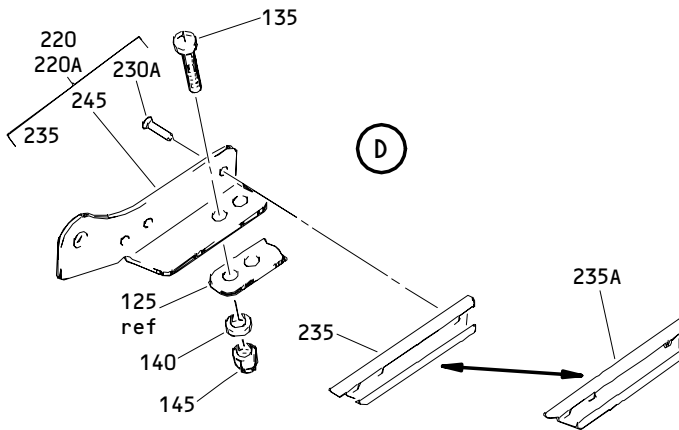
ILLUSTRATED PARTS LIST  
 01.1 Page 1082  
 Jul 01/03



(A)



(B)

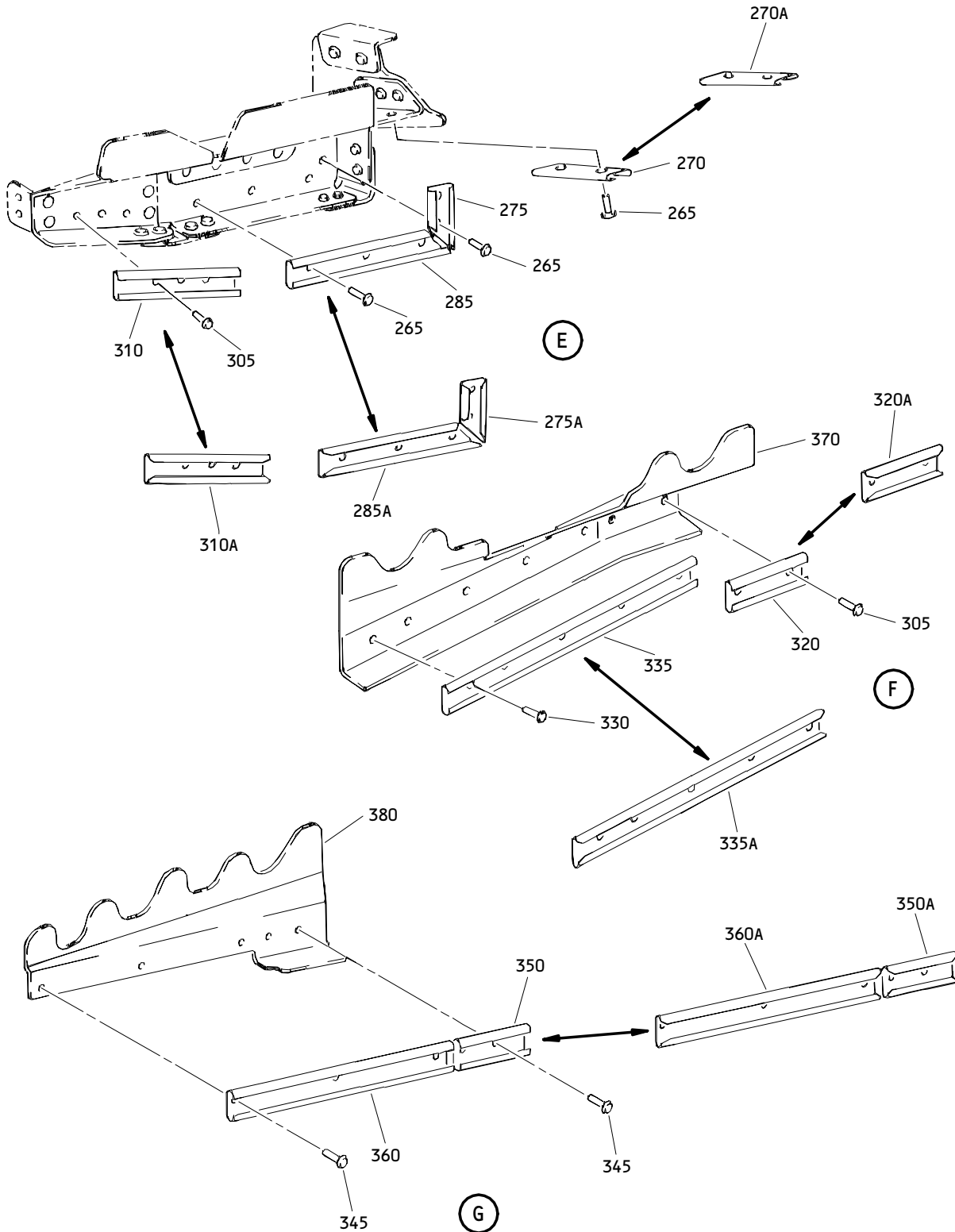


(D)

Engine Outboard Side Fan Duct Cowl Upper Bifurcation Seal Installation  
 Figure 8 (Sheet 2)

**71-11-31**

ILLUSTRATED PARTS LIST  
 01.1 Page 1082A  
 Jul 01/03



Engine Outboard Side Fan Duct Cowl Upper Bifurcation Seal Installation  
 Figure 8 (Sheet 3)

**71-11-31**

ILLUSTRATED PARTS LIST  
 01.1 Page 1082B  
 Jul 01/03


**BOEING**  
 COMPONENT  
 MAINTENANCE MANUAL

FIG. & ITEM	PART NO.	AIRLINE PART NUMBER	NOMENCLATURE 1234567	EFF CODE	QTY PER ASSY
08- -1	315T3318-101		SEAL INSTL-ENG OUTBD SIDE FAN DUCT COWL UPR BIFURCATION	A,D,E ,J, L-P	RF
-1A	315T3318-5005		DELETED		
-1B	315T3318-5007		SEAL INSTL-ENG OUTBD SIDE FAN DUCT COWL UPR BIFURCATION (LIMITED)	M,P	RF
-1C	315T3318-5009		SEAL INSTL-ENG OUTBD SIDE FAN DUCT COWL UPR BIFURCATION (LIMITED)	M,P	RF
-1D	315T3318-5011		SEAL INSTL-ENG OUTBD SIDE FAN DUCT COWL UPR BIFURCATION (LIMITED)	M,P	RF
-1E	315T3318-5013		SEAL INSTL-ENG OUTBD SIDE FAN DUCT COWL UPR BIFURCATION (LIMITED)	M,P	RF
-1F	315T3318-5015		SEAL INSTL-ENG OUTBD SIDE FAN DUCT COWL UPR BIFURCATION (LIMITED)	M,P	RF
-5	315T3318-102		SEAL INSTL-ENG INBD SIDE FAN DUCT COWL UPR BIFURCATION	B,C	RF
-5A	315T3318-5006		DELETED		
-5B	315T3318-5008		SEAL INSTL-ENG INBD SIDE FAN DUCT COWL UPR BIFURCATION (LIMITED)	B,C	RF
-5C	315T3318-5010		SEAL INSTL-ENG INBD SIDE FAN DUCT COWL UPR BIFURCATION (LIMITED)	B,C	RF
-5D	315T3318-5014		SEAL INSTL-ENG INBD SIDE FAN DUCT COWL UPR BIFURCATION (LIMITED)	B,C	RF

71-11-31

 ILLUSTRATED PARTS LIST  
 01.1 Page 1082C  
 Jul 01/03



FIG. & ITEM	PART NO.	AIRLINE PART NUMBER	NOMENCLATURE 1234567	EFF CODE	QTY PER ASSY
08-10	8425-65		.SEAL- (V11960) (SPEC S315T107-65) (8425-181 MAY REPLACE 8425-54 TOGETHER WITH 8425-56, 8425-58, 8425-60, 8425-62, 8425-64 AND 8425-65) (8425-180 MAY REPLACE 8425-65 TOGETHER WITH 8425-53, 8425-55, 8425-57, 8425-59, 8425-61 AND 8425-63) (USED ON ITEMS 1, 5)		1
10A	S315T107-180		DELETED		
10B	S315T107-181		DELETED		
10C	8425-180		.SEAL- (V11960) (SPEC S315T107-180) (8425-180 MAY REPLACE 8425-53 TOGETHER WITH 8425-55, 8425-57, 8425-59, 8425-61, 8425-63 AND 8425-65) (USED ON ITEMS 1B, 1C, 1D, 1E, 1F)	M,P	1
-10D	8425-181		.SEAL- (V11960) (SPEC S315T107-181) (8425-181 MAY REPLACE 8425-54 TOGETHER WITH 8425-56, 8425-58, 8425-60, 8425-62, 8425-64 AND 8425-65) (USED ON ITEMS 5B, 5C, 5D)	B,C	1
15	8425-63		.SEAL- (V11960) (SPEC S315T107-63) (8425-180 MAY REPLACE 8425-63 TOGETHER WITH 8425-53, 8425-55, 8425-57, 8425-59, 8425-61 AND 8425-65) (USED ON ITEM 1)	A,D,E ,J, L-P	1

71-11-31

 ILLUSTRATED PARTS LIST  
 01.1 Page 1082D  
 Jul 01/03


**BOEING**  
 COMPONENT  
 MAINTENANCE MANUAL

FIG. & ITEM	PART NO.	AIRLINE PART NUMBER	NOMENCLATURE 1234567	EFF CODE	QTY PER ASSY
08- -20	8425-64		.SEAL- (V11960) (SPEC S315T107-64) (8425-181 MAY REPLACE 8425-64 TOGETHER WITH 8425-54, 8425-56, 8425-58, 8425-60, 8425-62 AND 8425-65) (USED ON ITEM 5)	B,C	1
25	8425-53		.SEAL- (V11960) (SPEC S315T107-53) (8425-180 MAY REPLACE 8425-53 TOGETHER WITH 8425-55, 8425-57, 8425-59, 8425-61, 8425-61, 8425-63) (USED ON ITEM 1)	A,D,E ,J, L-P	1
-30	8425-54		.SEAL- (V11960) (SPEC S315T107-54) (8425-181 MAY REPLACE 8425-54 TOGETHER WITH 8425-56, 8425-58, 8425-60, 8425-62, 8425-64 AND 8425-65) (USED ON ITEM 5)	B,C	1
35	8425-55		.SEAL- (V11960) (SPEC S315T107-55) (8425-180 MAY REPLACE 8425-55 TOGETHER WITH 8425-53, 8425-57, 8425-59, 8425-61, 8425-63 AND 8425-65) (USED ON ITEM 1)	A,D,E ,J, L-P	1
-40	8425-56		.SEAL- (V11960) (SPEC S315T107-56) (8425-181 MAY REPLACE 8425-56 TOGETHER WITH 8425-54, 8425-58, 8425-60, 8425-62, 8425-64 AND 8425-65) (USED ON ITEM 5)	B,C	1

71-11-31

 ILLUSTRATED PARTS LIST  
 01.1 Page 1082E  
 Jul 01/03



COMPONENT  
MAINTENANCE MANUAL

FIG. & ITEM	PART NO.	AIRLINE PART NUMBER	NOMENCLATURE 1234567	EFF CODE	QTY PER ASSY
08-45	8425-57		.SEAL- (V11960) (SPEC S315T107-57) (8425-180 MAY REPLACE 8425-67 TOGETHER WITH 8425-53, 8425-55, 8425-59, 8425-61, 8425-63 AND 8425-65) (USED ON ITEM 1)	A,D,E ,J, L-P	1
-50	8425-58		.SEAL- (V11960) (SPEC S315T107-58) (8425-181 MAY REPLACE 8425-58 TOGETHER WITH 8425-54, 8425-56, 8425-60, 8425-62, 8425-64 AND 8425-65) (USED ON ITEM 5)	B,C	1
55	8425-59		.SEAL- (V11960) (SPEC S315T107-59) (8425-180 MAY REPLACE 8425-59 TOGETHER WITH 8425-53, 8425-55, 8425-57, 8425-61, 8425-63 AND 8425-65) (USED ON ITEM 1)	A,D,E ,J, L-P	1
-60	8425-60		.SEAL- (V11960) (SPEC S315T107-60) (8425-181 MAY REPLACE 8425-60 TOGETHER WITH 8425-54, 8425-56, 8425-58, 8425-62, 8425-64 AND 8425-65) (USED ON ITEM 5)	B,C	1
65	8425-61		.SEAL- (V11960) (SPEC S315T107-61) (8425-180 MAY REPLACE 8425-61 TOGETHER WITH 8425-53, 8425-55, 8425-57, 8425-59, 8425-63 AND 8425-65) (USED ON ITEM 1)	A,D,E ,J, L-P	1

71-11-31


**BOEING**  
 COMPONENT  
 MAINTENANCE MANUAL

FIG. & ITEM	PART NO.	AIRLINE PART NUMBER	NOMENCLATURE 1234567	EFF CODE	QTY PER ASSY
08- -70	8425-62		.SEAL- (V11960) (SPEC S315T107-62) (8425-181 MAY REPLACE 8425-62 TOGETHER WITH 8425-54, 8425-56, 8425-58, 8425-60, 8425-64 AND 8425-65) (USED ON ITEM 5)	B,C	1
72	8425-51		.SEAL- (V11960) (SPEC S315T107-51) (USED ON ITEM 1)	A,D,E ,J, L-P	1
72A	S315T107-182		DELETED		
72B	8425-182		.SEAL- (V11960) (SPEC S315T107-182) (USED ON ITEMS 1B, 1C, 1D, 1E, 1F)	M,P	1
73	8425-52		.SEAL- (V11960) (SPEC S315T107-52) (USED ON ITEM 5)	B,C	1
73A	S315T107-183		DELETED		
73B	8425-183		.SEAL- (V11960) (SPEC S315T107-183) (USED ON ITEM 5B, 5C, 5D)	B,C	1
74	315T3318-179		.SEAL- (USED ON ITEMS 1C, 1E, 1F, 5D)	B,C,M ,P	1
-74A	315T3318-179		DELETED		
75	315T3319-25		.SUPPORT ASSY	A,D,E ,J, L-P	1
-80	315T3319-26		.SUPPORT ASSY	B,C	1
85	BACR15CE3M		..RIVET- (SIZE DETERMINE ON INST)		3
90	315T3319-6		..RETAINER	A,D,E ,J, L-P	1
-93	315T3319-7		..RETAINER	B,C	1
96	315T3319-8		..SHEET		1

71-11-31

 ILLUSTRATED PARTS LIST  
 01.1 Page 1082G  
 Jul 01/03

FIG. & ITEM	PART NO.	AIRLINE PART NUMBER	NOMENCLATURE 1234567	EFF CODE	QTY PER ASSY
08-100	315T3319-31		.BRACKET ASSY- (USED ON ITEMS 1B, 1D, 1F)	A,D,E ,J, L-P	1
-100A	315T3319-53		.BRACKET ASSY- (USED ON ITEMS 1C, 1E)	A,D,E ,J, L-P	1
105	BACS12CK06U5		.SCREW	A,D,E ,J, L-P	2
110	AN960C6		.WASHER  -----*-----	A,D,E ,J,  L-P	2
115	315T3319-32		..BRACKET	A,D,E ,J, L-P	1
120	315T3319-20		..SHEET	A,D,E ,J, L-P	1
125	315T3319-33		.SUPPORT ASSY- (USED ON ITEM 1)	A,D,E ,J, L-P	1
125A	315T3319-45		DELETED		
125B	315T3319-47		.SUPPORT ASSY- (USED ON ITEMS 1B, 1D)	M,P	1
-125C	315T3319-47		DELETED		
-125D	315T3319-51		DELETED		
-125E	315T3319-51		.SUPPORT ASSY- (USED ON ITEMS 1C, 1E, 1F)	M,P	1

71-11-31

 ILLUSTRATED PARTS LIST  
 01.1 Page 1082H  
 Jul 01/03


**BOEING**  
 COMPONENT  
 MAINTENANCE MANUAL

FIG. & ITEM	PART NO.	AIRLINE PART NUMBER	NOMENCLATURE 1234567	EFF CODE	QTY PER ASSY
08-130	315T3319-34		.SUPPORT ASSY- (USED ON ITEM 5)	B,C	1
130A	315T3319-46		DELETED		
130B	315T3319-48		.SUPPORT ASSY- (USED ON ITEMS 5B, 5C, 5D)	B,C	1
135	BACS12CK06U5		ATTACHING PARTS		
140	AN760C6		.SCREW		2
145	BRH10C06		.WASHER		2
			.NUT- (V52828) (SPEC BACN10JC06C) (OPT 97-62 (V80539)) (OPT 101LH9075-62W (V72962)) (OPT VN303B62 (V92215)) (OPT NS202101S62 (V80539)) (OPT H31-06BAC (V15653)) (OPT T6C632J (V11815)) -----*		2
150	BACR15CE3M		..RIVET- (SIZE DETERMINE ON INST)	A,D,E ,J, L-P	4
155	BACN10KB3CFM		DELETED		
160	BACN101N3CM		DELETED		

71-11-31

 ILLUSTRATED PARTS LIST  
 01.1 Page 1082I  
 Jul 01/03

FIG. & ITEM	PART NO.	AIRLINE PART NUMBER	NOMENCLATURE 1234567	EFF CODE	QTY PER ASSY
08-165	BRM100C06LM		..NUTPLATE- (V52828) (SPEC BACN10JP06BCM) (OPT MK2001-06BAC (V15653)) (OPT NS103198SE62 (V80539)) (OPT T8081C632 (V11815)) (OPT VN201D1-62L (V92215)) (OPT 109A9207M62 (V72962))	A,D,E ,J, L-P	2
170	BACR15CE3M		..RIVET- (SIZE DETERMINE ON INST)	A,D,E ,J, L-P	7
-175	MS20615-3M		..RIVET- (SIZE DETERMINE ON INST)	B,C	7
180	315T3319-17		..CHANNEL- (USED ON ITEMS 125, 130)	A-E,J ,L-P	1
180A	315T3319-42		..CHANNEL- (USED ON ITEMS 125B, 125E, 130B)	B,C,M ,P	1
185	315T3319-38		..CHANNEL- (USED ON ITEMS 125, 130)		1
185A	315T3319-43		..CHANNEL- (USED ON ITEMS 125B, 125E, 130B)	B,C,M ,P	1
190	315T3319-39		..CHANNEL- (USED ON ITEMS 125, 130)	A-E,J ,L-P	1
190A	315T3319-44		..CHANNEL- (USED ON ITEMS 125B, 125E, 130B)	B,C,M ,P	1
195	315T3319-11		DELETED		
195A	315T3319-41		..SHEET- (USED ON ITEMS 125, 125B)	A,D,E ,J, L-P	1
-195B	315T3319-52		..SHEET- (USED ON ITEM 125E)	M,P	1
200	315T3319-13		..SHEET- (USED ON ITEMS 125, 125B)	A,D,E ,J, L-P	1
205	315T3319-35		..SHEET- (USED ON ITEM 125)	A,D,E ,J, L-P	1

71-11-31

 ILLUSTRATED PARTS LIST  
 01.1 Page 1082J  
 Jul 01/03


**BOEING**  
 COMPONENT  
 MAINTENANCE MANUAL

FIG. & ITEM	PART NO.	AIRLINE PART NUMBER	NOMENCLATURE 1234567	EFF CODE	QTY PER ASSY
08- -205A	315T3319-49		..SHEET- (USED ON ITEMS 125B, 125E)	M,P	1
-210	315T3319-36		..SHEET- (USED ON ITEM 130)	B,C	1
-210A	315T3319-50		..SHEET- (USED ON ITEM 130B)	B,C	1
215	BACR15CE3M		DELETED		
220	315T3318-111		.FAIRING ASSY- (USED ON ITEM 1)	A,D,E ,J, L-P	1
220A	315T3318-135		.FAIRING ASSY- (USED ON ITEMS 1B, 1C, 1D, 1E, 1F)	M,P	1
-225	315T3318-112		.FAIRING ASSY- (USED ON ITEM 5)	B,C	1
-225A	315T3318-136		.FAIRING ASSY- (USED ON ITEMS 5B, 5C, 5D)	B,C	1
230	MS20615-3M		DELETED		
230A	BACR15CE3M		..RIVET- (SIZE DETERMINE ON INST)		3
235	315T3318-13		..RETAINER- (MFD FROM CRES SH BAC1494-193 F-17.09 X 3.6) (USED ON ITEM 220)	A,D,E ,J, L-P	1
235A	315T3318-143		..RETAINER- (MFD FROM CRES SH BAC1494-193 F-17.09 X 3.7) (USED ON ITEM 220A)	M,P	1
-240	315T3318-14		..RETAINER- (MFD FROM CRES SH BAC1494-193 F-17.09 X 3.6) (USED ON ITEM 225)	B,C	1
-240A	315T3318-144		..RETAINER- (MFD FROM CRES SH BAC1494-193 F-17.09 X 3.7) (USED ON ITEM 225A)	B,C	1

71-11-31

 ILLUSTRATED PARTS LIST  
 01.1 Page 1082K  
 Jul 01/03



FIG. & ITEM	PART NO.	AIRLINE PART NUMBER	NOMENCLATURE 1234567	EFF CODE	QTY PER ASSY
08-245	315T3318-113		..FAIRING	A,D,E ,J, L-P	1
-250	315T3318-114		..FAIRING	B,C	1
255	315T3318-103		.FAIRING ASSY- (USED ON ITEM 1)	A,D,E ,J, L-P	1
-255A	315T3318-131		DELETED		
-255B	315T3318-137		DELETED		
-255C	315T3318-163		.FAIRING ASSY- (USED ON ITEM 1B)	M,P	1
-255D	315T3318-167		DELETED		
-255E	315T3318-169		.FAIRING ASSY- (USED ON ITEM 1D)	M,P	1
-255F	315T3318-185		DELETED		
-255G	315T3318-183		.FAIRING ASSY- (USED ON ITEM 1C)	M,P	1
-255H	315T3318-185		.FAIRING ASSY (USED ON ITEMS 1E, 1F)	M,P	1
-260	315T3318-104		.FAIRING ASSY- (USED ON ITEM 5)	B,C	1
-260A	315T3318-132		DELETED		
-260B	315T3318-138		DELETED		
-260C	315T3318-164		.FAIRING ASSY- (USED ON ITEM 5B)	B,C	1
-260D	315T3318-170		.FAIRING ASSY- (USED ON ITEM 5C)	B,C	1
-260E	315T3318-186		.FAIRING ASSY- (USED ON ITEM 5D)	B,C	1
265	MS20615-3M		..RIVET- (SIZE DETERMINE ON INST)		7

71-11-31

 ILLUSTRATED PARTS LIST  
 01.1 Page 1082L  
 Jul 01/03


**BOEING**  
 COMPONENT  
 MAINTENANCE MANUAL

FIG. & ITEM	PART NO.	AIRLINE PART NUMBER	NOMENCLATURE 1234567	EFF CODE	QTY PER ASSY
08-270	315T3318-45		..RETAINER- (MFD FROM CRES SH BAC1494-193 F-17.09 X 2.3) (USED ON ITEM 255, 260)		1
270A	315T3318-157		..RETAINER- (MFD FROM CRES SH BAC1494-193 F-17.09 X 2.5) (USED ON ITEMS 255C, 255E, 255G, 255H, 260C, 260D, 260E)	B,C,M ,P	1
275	315T3318-49		..RETAINER- (MFD FROM CRES SH BAC1494-193 F-17.09 X 2.1) (USED ON ITEM 255)	A,D,E ,J, L-P	1
275A	315T3318-151		..RETAINER- (MFD FROM CRES SH BAC1494-193 F-17.09 X 2.2) (USED ON ITEMS 255C, 255E, 255G, 255H)	M,P	1
-280	315T3318-50		..RETAINER- (MFD FROM CRES SH BAC1494-193 F-17.09 X 2.1) (USED ON ITEM 260)	B,C	1
-280A	315T3318-152		..RETAINER- (MFD FROM CRES SH BAC1494-193 F-17.09 X 2.2) (USED ON ITEMS 260C, 260D, 260E)	B,C	1

71-11-31

 ILLUSTRATED PARTS LIST  
 01.1 Page 1082M  
 Jul 01/03

FIG. & ITEM	PART NO.	AIRLINE PART NUMBER	NOMENCLATURE 1234567	EFF CODE	QTY PER ASSY
08-285	315T3318-51		..RETAINER- (MFD FROM CRES SH BAC1494-193 F-17.09 X 5.0) (USED ON ITEM 255)	A,D,E ,J, L-P	1
285A	315T3318-153		..RETAINER- (MFD FROM CRES SH BAC1494-193 F-17.09 X 5.1) (USED ON ITEMS 255C, 255E, 255G, 255H)	M,P	1
-290	315T3318-52		..RETAINER- (MFD FROM CRES SH BAC1494-193 F-17.09 X 5.0) (USED ON ITEM 260)	B,C	1
-290A	315T3318-154		..RETAINER- (MFD FROM CRES SH BAC1494-193 F-17.09 X 5.1) (USED ON ITEMS 260C, 260D, 260E)	B,C	1
295	315T3318-93		DELETED		
-300	315T3318-94		DELETED		
305	MS20615-3M		..RIVET- (SIZE DETERMINE ON INST)		5
310	315T3318-47		..RETAINER- (MFD FROM CRES SH BAC1494-193 F-17.09 X 3.7) (USED ON ITEM 255)	A,D,E ,J, L-P	1
310A	315T3318-149		..RETAINER- (MFD FROM CRES SH BAC1494-193 F-17.09 X 3.8) (USED ON ITEMS 255C, 255E, 255G, 255H)	M,P	1

71-11-31

 ILLUSTRATED PARTS LIST  
 01.1 Page 1082N  
 Jul 01/03


**BOEING**  
 COMPONENT  
 MAINTENANCE MANUAL

FIG. & ITEM	PART NO.	AIRLINE PART NUMBER	NOMENCLATURE 1234567	EFF CODE	QTY PER ASSY
08- -315	315T3318-48		..RETAINER- (MFD FROM CRES SH BAC1494-193 F-17.09 X 3.7) (USED ON ITEM 260)	B,C	1
-315A	315T3318-150		..RETAINER- (MFD FROM CRES SH BAC1494-193 F-17.09 X 3.8) (USED ON ITEMS 260C, 260D, 260E)	B,C	1
320	315T3318-27		..RETAINER- (MFD FROM CRES SH BAC1494-193 F-17.09 X 2.9) (USED ON ITEM 255)	A,D,E ,J, L-P	1
320A	315T3318-147		..RETAINER- (MFD FROM CRES SH BAC1494-193 F-17.09 X 3.0) (USED ON ITEMS 255C, 255E, 255G, 255H)	M,P	1
-325	315T3318-28		..RETAINER- (MFD FROM CRES SH BAC1494-193 F-17.09 X 2.9) (USED ON ITEM 260)	B,C	1
-325A	315T3318-148		..RETAINER- (MFD FROM CRES SH BAC1494-193 F-17.09 X 3.0) (USED ON ITEMS 260C, 260D, 260E)	B,C	1
330	MS2061503M		DELETED		
330A	MS20615-3M		..RIVET- (SIZE DETERMINE ON INST)		5
335	315T3318-15		..RETAINER- (MFD FROM CRES SH BAC1494-193 F-17.09 X 10.6) (USED ON ITEM 255)	A,D,E ,J, L-P	1

71-11-31

ILLUSTRATED PARTS LIST

01.1 Page 10820

Jul 01/03

FIG. & ITEM	PART NO.	AIRLINE PART NUMBER	NOMENCLATURE 1234567	EFF CODE	QTY PER ASSY
08-335A	315T3318-145		..RETAINER- (MFD FROM CRES SH BAC1494-193 F-17.09 X 10.7) (USED ON ITEMS 255C, 255E, 255G, 255H)	M,P	1
-340	315T3318-16		..RETAINER- (MFD FROM CRES SH BAC1494-193 F-17.09 X 10.6) (USED ON ITEM 260)	B,C	1
-340A	315T3318-146		..RETAINER- (MFD FROM CRES SH BAC1494-193 F-17.09 X 10.7) (USED ON ITEMS 260C, 260D, 260E)	B,C	1
345	MS20615-3M		..RIVET- (SIZE DETERMINE ON INST)		5
350	315T3318-11		..RETAINER- (MFD FROM CRES SH BAC1494-193 F-17.09 X 2.3) (USED ON ITEM 255)	A,D,E ,J, L-P	1
350A	315T3318-141		..RETAINER- (MFD FROM CRES SH BAC1494-193 F-17.09 X 2.4) (USED ON ITEMS 255C, 225E, 255G, 255H)	M,P	1

71-11-31

 ILLUSTRATED PARTS LIST  
 01.1 Page 1082P  
 Jul 01/03


**BOEING**  
 COMPONENT  
 MAINTENANCE MANUAL

FIG. & ITEM	PART NO.	AIRLINE PART NUMBER	NOMENCLATURE 1234567	EFF CODE	QTY PER ASSY
08- -355	315T3318-12		..RETAINER- (MFD FROM CRES SH BAC1494-193 F-17.09 X 2.3) (USED ON ITEM 260)	B,C	1
-355A	315T3318-142		..RETAINER- (MFD FROM CRES SH BAC1494-193 F-17.09 X 2.4) (USED ON ITEMS 260C, 260D, 260E)	B,C	1
360	315T3318-7		..RETAINER- (MFD FROM CRES SH BAC1494-193 F-17.09 X 7.0) (USED ON ITEM 255)	A,D,E ,J, L-P	1
360A	315T3318-139		..RETAINER- (MFD FROM CRES SH BAC1494-193 F-17.09 X 7.1) (USED ON ITEMS 255C, 255E, 255G, 255H)	M,P	1
-365	315T3318-8		..RETAINER- (MFD FROM CRES SH BAC1494-193 F-17.09 X 7.0) (USED ON ITEM 260)	B,C	1
-365A	315T3318-140		..RETAINER- (MFD FROM CRES SH BAC1494-193 F-17.09 X 7.1) (USED ON ITEMS 260C, 260D, 260E)	B,C	1

71-11-31

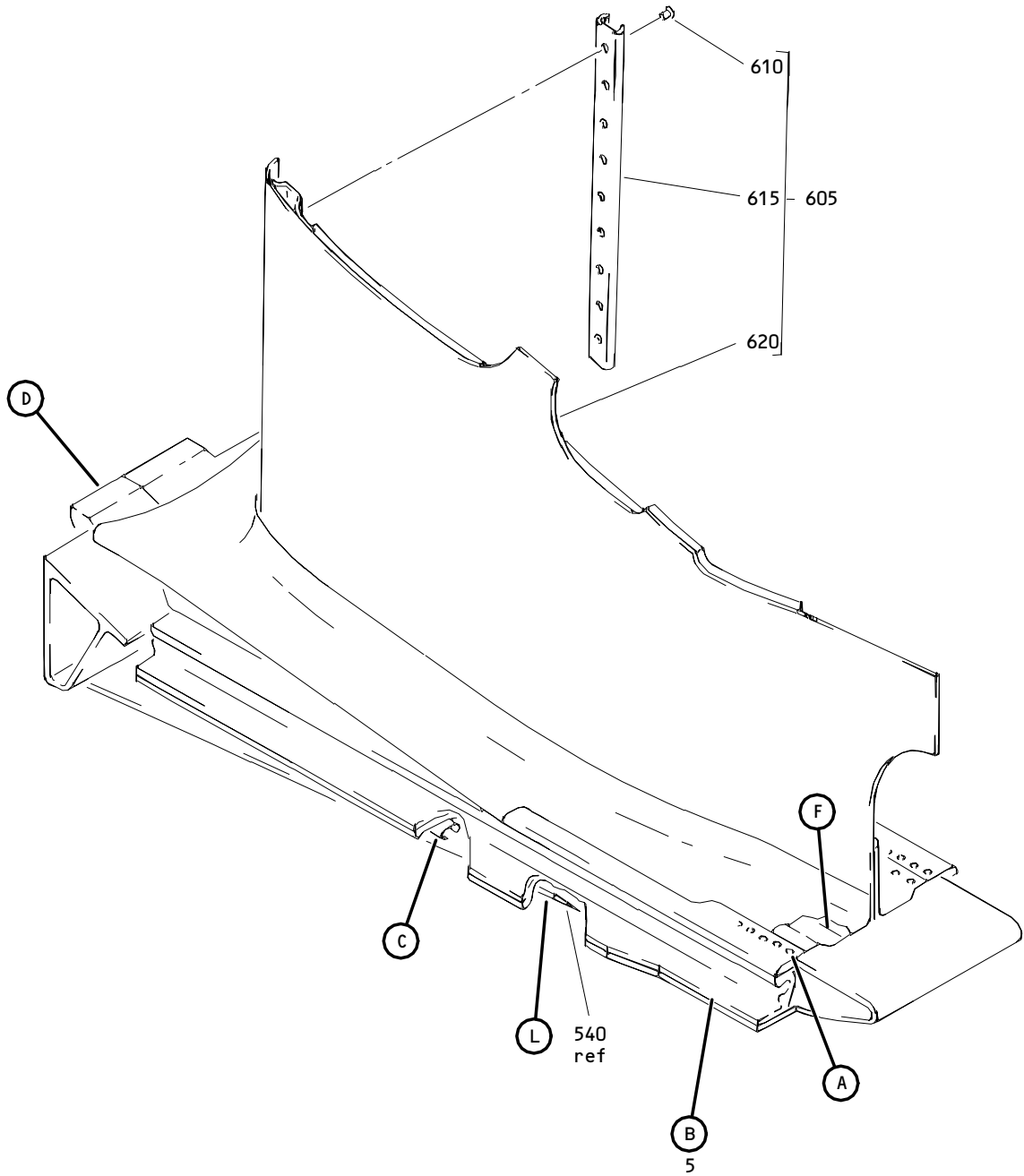
 ILLUSTRATED PARTS LIST  
 01.1 Page 1082Q  
 Jul 01/03

FIG. & ITEM	PART NO.	AIRLINE PART NUMBER	NOMENCLATURE 1234567	EFF CODE	QTY PER ASSY
08-370	315T3318-105		..FAIRING	A,D,E ,J, L-P	1
-375	315T3318-106		..FAIRING	B,C	1
380	315T3318-107		..FAIRING- (USED ON ITEMS 255, 255C)	A,D,E ,J, L-P	1
-380A	315T3318-171		..FAIRING- (USED ON ITEMS 255E, 255G, 255H)	M,P	1
-385	315T3318-108		..FAIRING- (USED ON ITEMS 260, 260C)	B,C	1
-385A	315T3318-172		..FAIRING- (USED ON ITEMS 260D, 260E)	B,C	1

- Item Not Illustrated

# 71-11-31

ILLUSTRATED PARTS LIST  
 01.1 Page 1082R  
 Jul 01/03

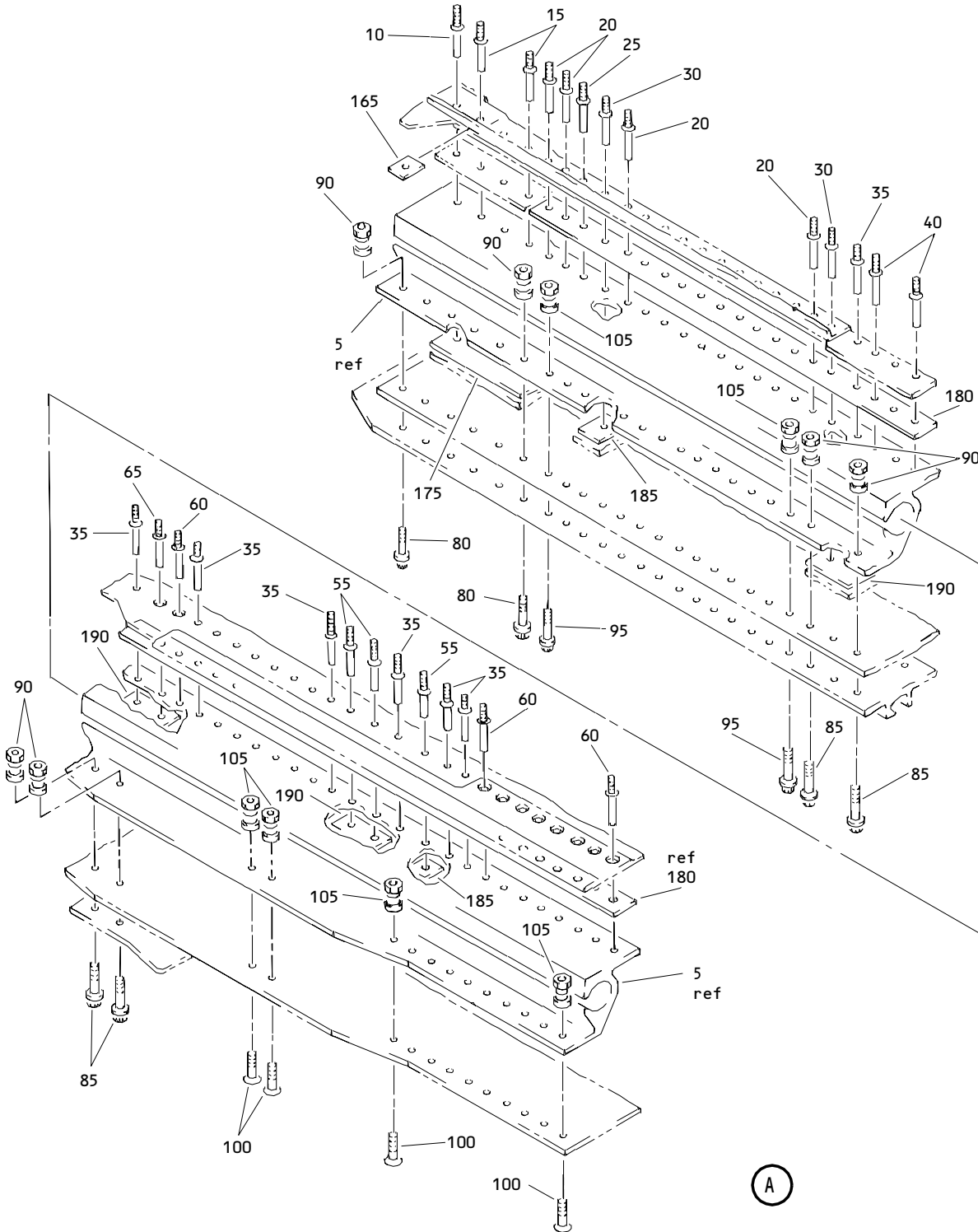


Engine Fan Duct Lower Bifurcation Assembly  
Figure 9 (Sheet 1)

**71-11-31**

ILLUSTRATED PARTS LIST  
01.1 Page 1082S  
Jul 01/03

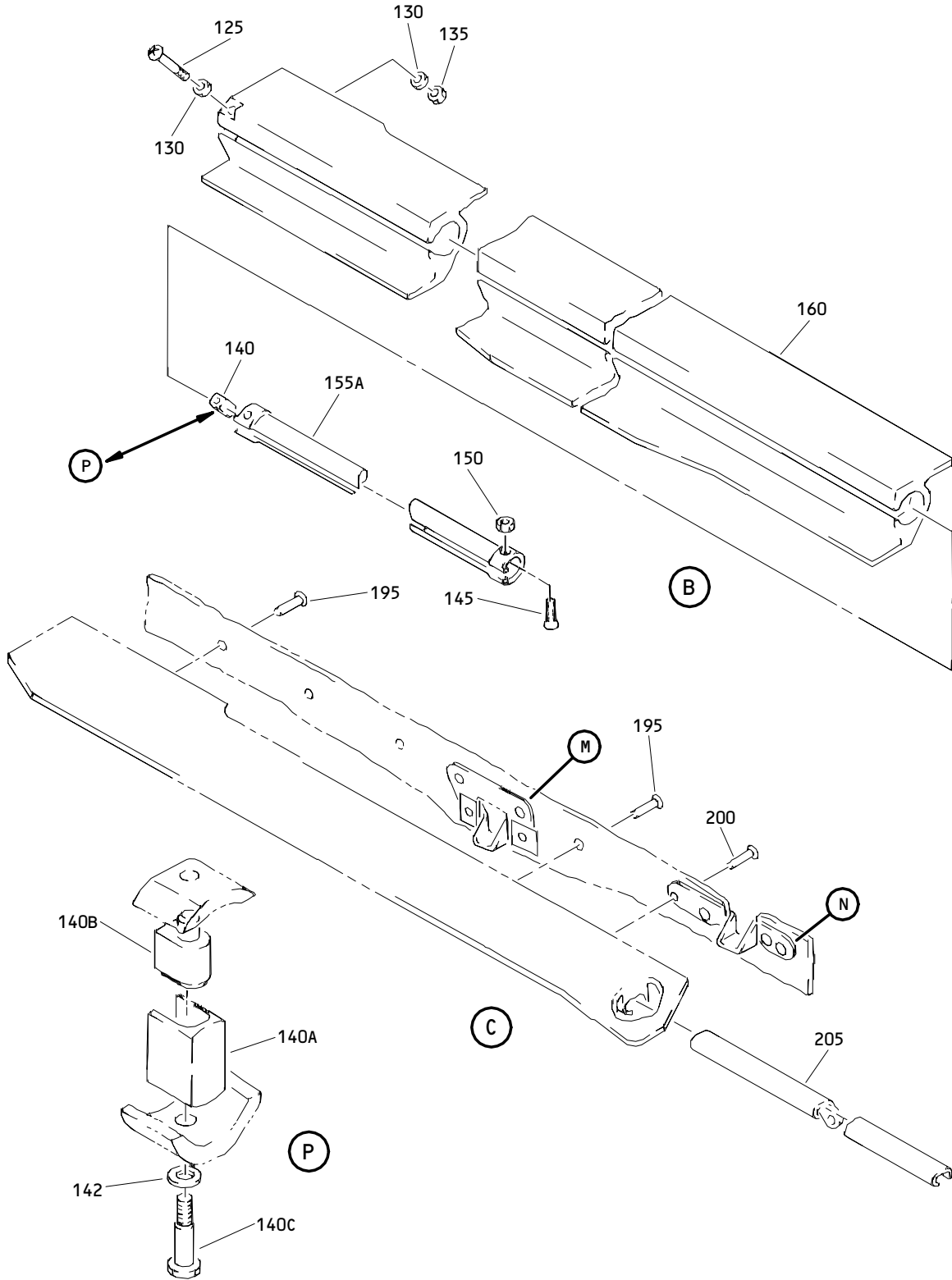


**COMPONENT  
MAINTENANCE MANUAL**


Engine Fan Duct Lower Bifurcation Assembly  
Figure 9 (Sheet 2)

**71-11-31**

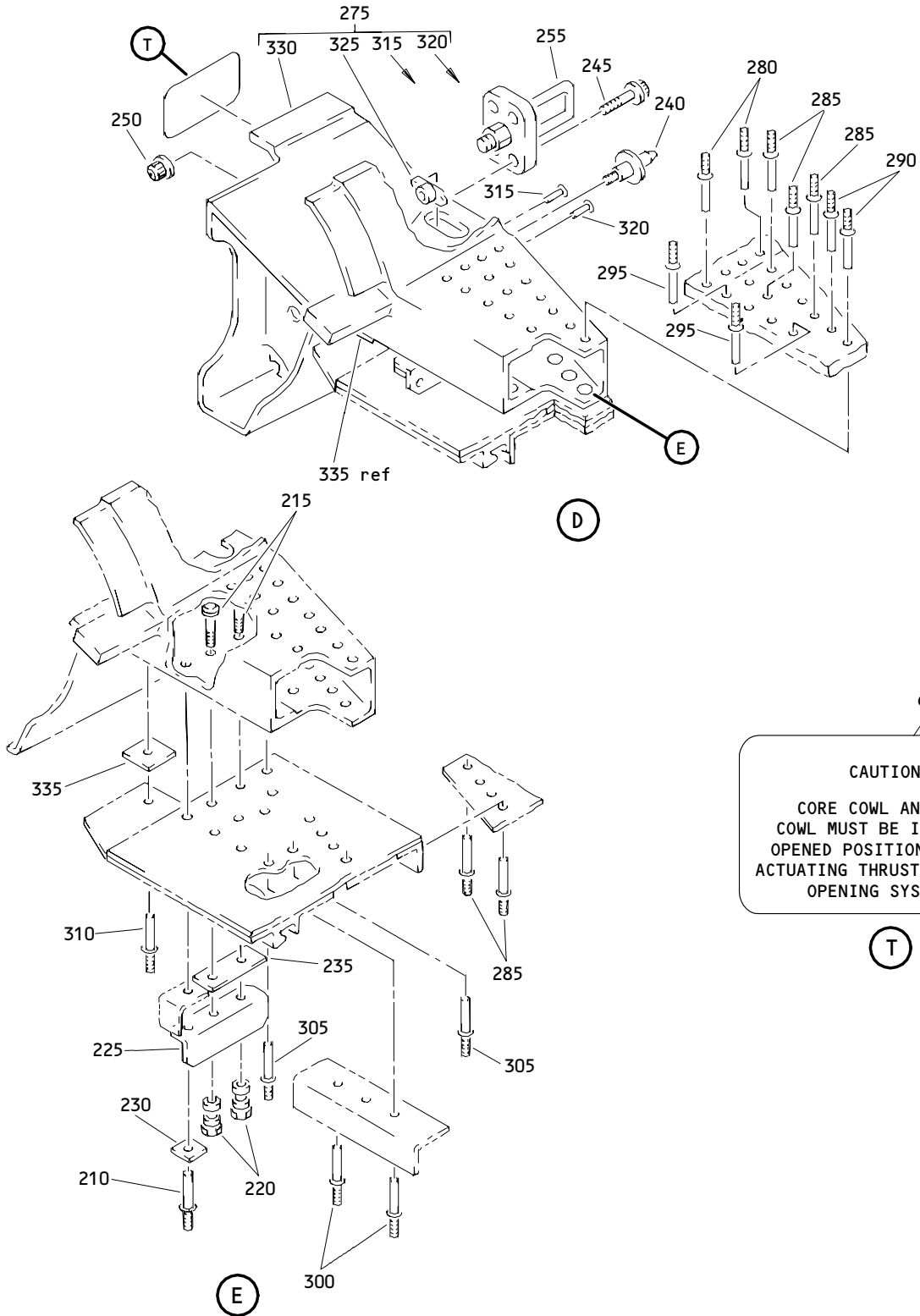
ILLUSTRATED PARTS LIST  
01.1 Page 1082T  
Jul 01/03



Engine Fan Duct Lower Bifurcation Assembly  
Figure 9 (Sheet 3)

**71-11-31**

ILLUSTRATED PARTS LIST  
01.1 Page 1082U  
Jul 01/03



635

**CAUTION**  
 CORE COWL AND FAN  
 COWL MUST BE IN FULLY  
 OPENED POSITION BEFORE  
 ACTUATING THRUST REVERSE  
 OPENING SYSTEM.

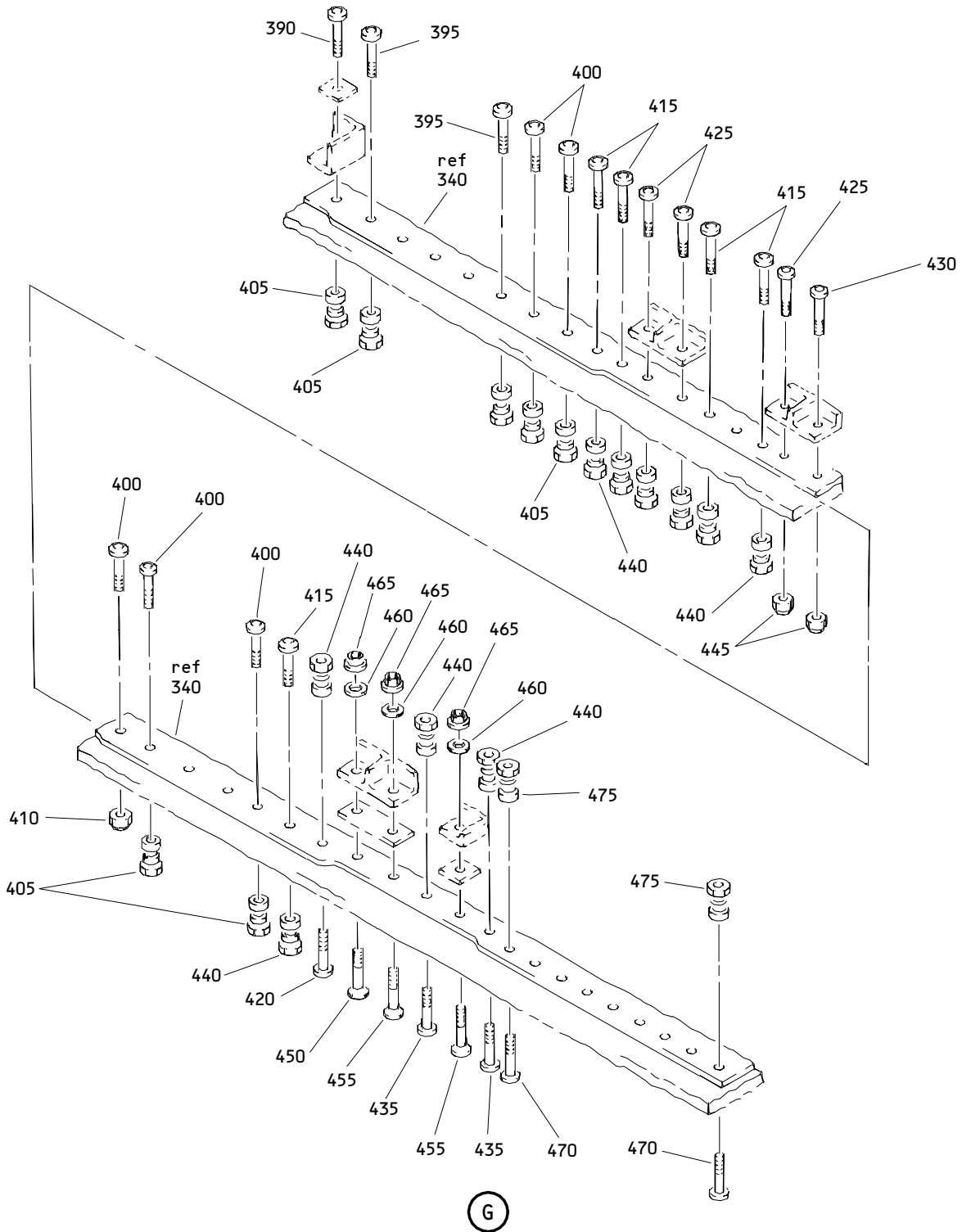
**T**

Engine Fan Duct Lower Bifurcation Assembly  
 Figure 9 (Sheet 4)

**71-11-31**

ILLUSTRATED PARTS LIST  
 01.1 Page 1082V  
 Jul 01/03

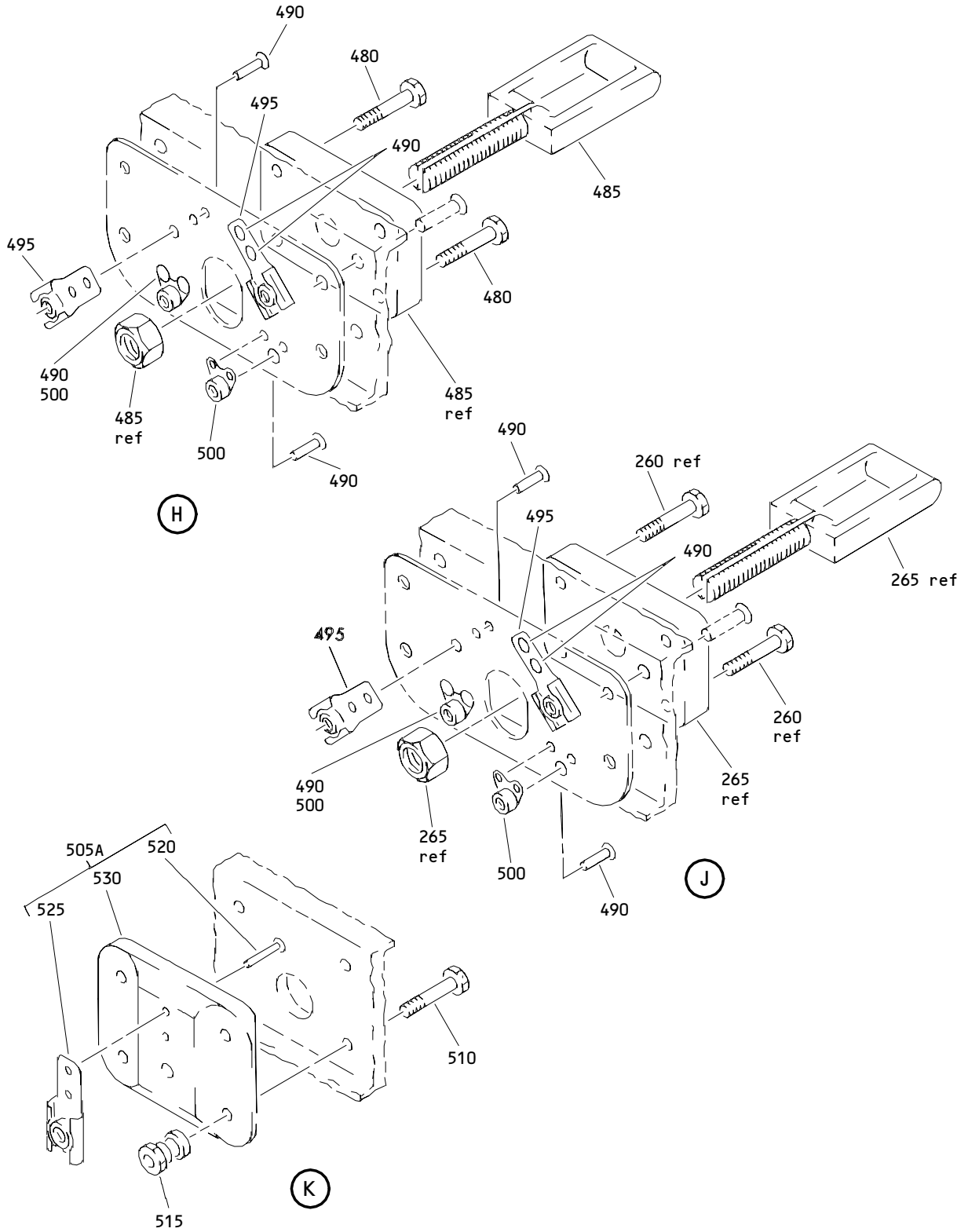




Engine Fan Duct Lower Bifurcation Assembly  
 Figure 9 (Sheet 6)

**71-11-31**

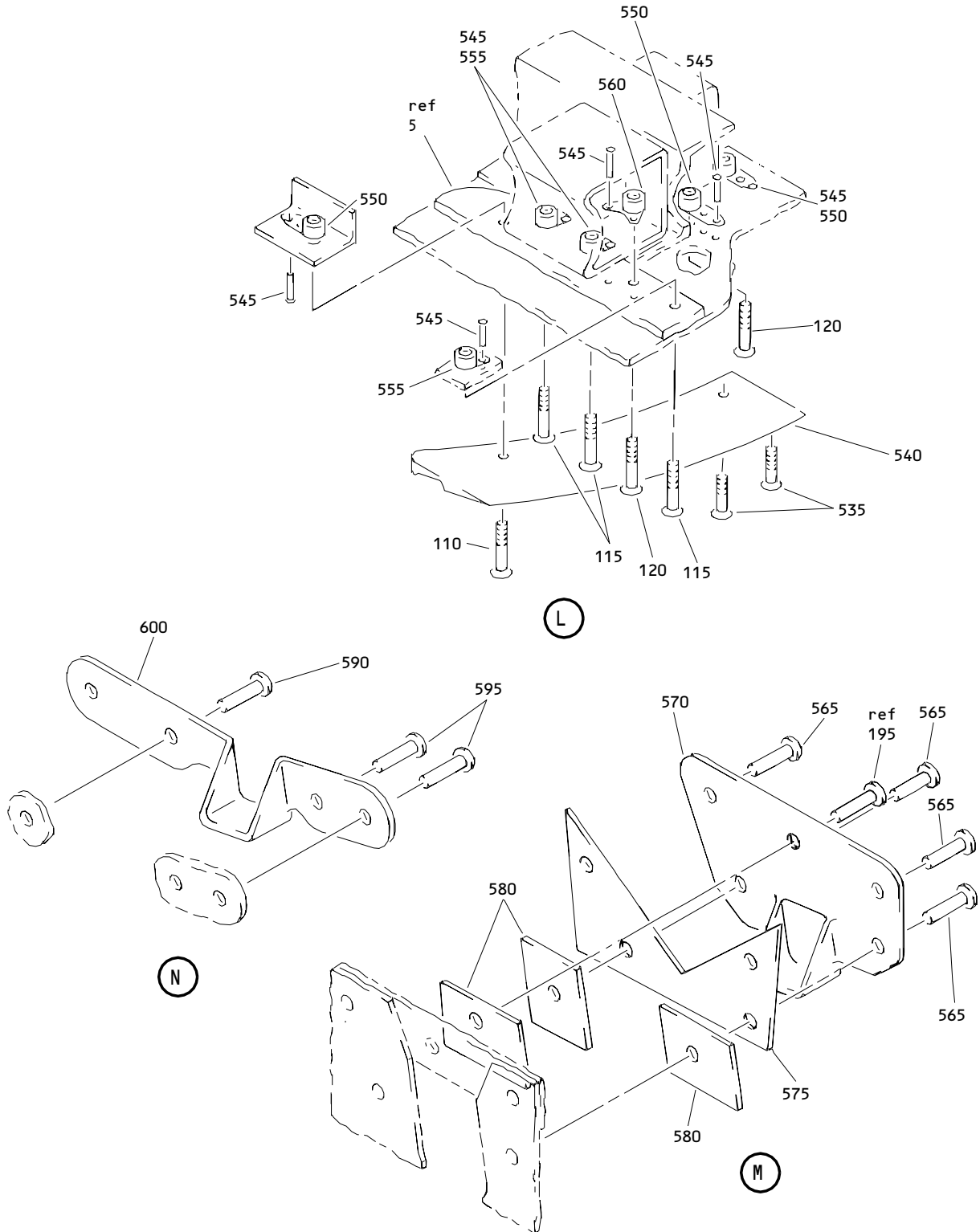
ILLUSTRATED PARTS LIST  
 01.1 Page 1082X  
 Jul 01/03



Engine Fan Duct Lower Bifurcation Assembly  
Figure 9 (Sheet 7)

**71-11-31**

ILLUSTRATED PARTS LIST  
01.1 Page 1082Y  
Jul 01/03



Engine Fan Duct Lower Bifurcation Assembly  
 Figure 9 (Sheet 8)

**71-11-31**

ILLUSTRATED PARTS LIST  
 01.1 Page 1082Z  
 Jul 01/03


**BOEING**  
 COMPONENT  
 MAINTENANCE MANUAL

FIG. & ITEM	PART NO.	AIRLINE PART NUMBER	NOMENCLATURE 1234567	EFF CODE	QTY PER ASSY
09-			DELETED		
-1	315T3400-219SP		BIFURCATION ASSY-LWR (LH)	M,P	RF
-1A	315T3400-219		(REWORK)		
5	315T3402-5		.TRACK ASSY-LWR ATTACHING PARTS	M,P	1
10	NAS1398CW8-14		.RIVET	M,P	1
15	NAS1398CW8-13		.RIVET	M,P	3
20	NAS1398CW6-6		.RIVET	M,P	13
25	NAS1398CW6-7		.RIVET	M,P	1
30	NAS1398CW6-9		.RIVET	M,P	2
35	NAS1398CW6-8		.RIVET	M,P	12
40	NAS1398CW6-5		.RIVET	M,P	3
45	NAS1398CW6-13		DELETED		
50	NAS1398CW6-12		DELETED		
55	NAS1398CW6-11		.RIVET	M,P	3
60	NAS1399CW6-8		.RIVET	M,P	9
65	NAS1399CW6-13		.RIVET	M,P	1
70	NAS1399CW6-9		DELETED		
75	NAS1399CW6-12		DELETED		
80	HL10VAZ8-5		.BOLT- (V60516) (SPEC BACB30MY8K5) (OPT B30MY8K5 (V97928))	M,P	6
85	HL10VAZ8-7		.BOLT- (V60516) (SPEC BACB30MY8K7) (OPT B30MY8K7 (V97928))	M,P	5

71-11-31

ILLUSTRATED PARTS LIST

01.1

Page 1083

Jul 01/03



FIG. & ITEM	PART NO.	AIRLINE PART NUMBER	NOMENCLATURE 1234567	EFF CODE	QTY PER ASSY
09-90	HL79-8		.COLLAR- (V5M902) (SPEC BACC30M8) (OPT HL79-8 (V73197)) (OPT HL79-8 (V92215)) (OPT 66014-8 (V56878)) (OPT HL79-8 (V56878))	M,P	11
95	HL10VAZ6-5		.BOLT- (V60516) (SPEC BACB30MY6K5) (OPT B30MY6K5 (V97928))	M,P	14
R 100	HL11VAZ6-3		.BOLT- (V60516) (SPEC BACB30NW6K3) (OPT B30NW6K3 (V97928)) (OPT HL11VAZ6-3 (V73197)) (OPT HL11VAZ6-3 (V92215)) (OPT HL11VAZ6-3 (V97928)) (OPT L803-6K3 (V06725)) (OPT HL11VAZ6-3 (V0PTK6)) (OPT HL11VAZ6-3 (V56878))	M,P	12
105	HL79-6		.COLLAR- (V5M902) (SPEC BACC30M6) (OPT HL79-6 (V73197)) (OPT HL79-6 (V92215)) (OPT 66014-6 (V56878)) (OPT HL79-6 (V56878))	M,P	26

71-11-31

 ILLUSTRATED PARTS LIST  
 01.1 Page 1084  
 Jul 01/03

**BOEING**  
 COMPONENT  
 MAINTENANCE MANUAL

FIG. & ITEM	PART NO.	AIRLINE PART NUMBER	NOMENCLATURE 1234567	EFF CODE	QTY PER ASSY
09-					
110	BACB30LL3-7		.BOLT	M,P	1
115	BACB30LL3-5		.BOLT	M,P	3
120	BACB30LL3-3		.BOLT	M,P	2
			-----*-----		
125	NAS623-3-26		..SCREW- (USED WITH ITEM 140)	M,P	1
130	AN960PD10L		..WASHER	M,P	2
135	H10-3BAC		..NUT- (V15653) (SPEC BACN10JC3) (OPT NS202101-02 (V80539)) (OPT RMLH9075-3W (V72962)) (OPT T6S1032J (V71087)) (OPT VN303A02 (V92215)) (OPT 96-02 (V80539)) (OPT BRH10A3 (V52828))	M,P	1
140	315T3317-1		..RETAINER-LINER (OPT ITEM 140A USED WITH ITEMS 140B, 140C, 142) (USED WITH ITEM 125)	M,P	1
140A	315T3257-1		..RETAINER-PIN (OPT ITEM 140 USED WITH ITEMS 125) (USED WITH ITEMS 140B, 140C, 142)	M,P	1
140B	315T3257-2		..PIN- (USED WITH ITEM 140A)	M,P	1
140C	BACB30LM3H15		..BOLT- (USED WITH ITEM 140A)	M,P	1
142	AN960PD10L		..WASHER- (USED WITH ITEM 140A)	M,P	1
145	BACB30LL3-3		..BOLT	M,P	1

**71-11-31**

ILLUSTRATED PARTS LIST  
 01.1 Page 1084A  
 Jul 01/03

FIG. & ITEM	PART NO.	AIRLINE PART NUMBER	NOMENCLATURE 1234567	EFF CODE	QTY PER ASSY
09-150	H10-3BAC		..NUT- (V15653) (SPEC BACN10JC3) (OPT NS202101-02 (V80539)) (OPT RMLH9075-3W (V72962)) (OPT T6S1032J (V71087)) (OPT VN303A02 (V92215)) (OPT 96-02 (V80539)) (OPT BRH10A3 (V52828))	M,P	1
155	315T3415-3		DELETED		
155A	315T3415-7		..LINER-	M,P	1
160	315T3402-6		..TRACK	M,P	1
165	BACF3F006J008NN		.FILLER	M,P	1
175	BACS40R13D43F		.SHIM	M,P	AR
180	BACS40R08C359F		.SHIM	M,P	AR
185	BACS40R09D10F		.SHIM	M,P	AR
190	BACS40R10D19F		.SHIM	M,P	AR
195	MS20615-5MP6		.RIVET	M,P	5
200	BACR15CE5M		.RIVET- (SIZE DETERMINE ON INST)	M,P	1
205	315T3406-5		.LINER	M,P	1
210	NAS1398CW8-12		.RIVET	M,P	1
215	HL10VAZ6-7		.BOLT- (V60516) (SPEC BACB30MY6K7) (OPT B30MY6K7 (V97928))	M,P	2
220	HL79-6		.COLLAR- (V5M902) (SPEC BACC30M6) (OPT HL79-6 (V73197)) (OPT HL79-6 (V92215)) (OPT 66014-6 (V56878)) (OPT HL79-6 (V56878))	M,P	2
225	315T3400-149		.ANGLE	M,P	1

71-11-31

ILLUSTRATED PARTS LIST

01.1 Page 1084B

Jul 01/03


**BOEING**  
 COMPONENT  
 MAINTENANCE MANUAL

FIG. & ITEM	PART NO.	AIRLINE PART NUMBER	NOMENCLATURE 1234567	EFF CODE	QTY PER ASSY
09-					
230	315T3400-147		.FILLER	M,P	1
235	BACF3F009W021NN		.FILLER	M,P	1
240	315T3423-1		.PIN-FWD SHEAR	M,P	1
245	BACB30LE4-11		.BOLT	M,P	4
250	BMNN10HR4		.NUT- (V08524) (SPEC BACN10HR4) (OPT BMN10HR4 (V97928)) (OPT CR59064 (V62554)) (OPT H964 (V15653)) (OPT RMLH224 (V72962)) (OPT VAL280094 (V06710)) (OPT 678324 (V56878)) (OPT H96-4 (V15653)) (OPT VAL280094 (V06710)) (OPT 678324 (V56878)) (OPT H96-4 (V15653)) (OPT RMLH22-4 (V72962))	M,P	4
255	H2898-3		.KEEPER ASSY- (V83014)	M,P	1
260	BACB30NM4K13		.BOLT	M,P	4
265	H2899-5		.KEEPER ASSY- (V83014)	M,P	1
270	315T3424-1		.PIN-SHEAR	M,P	3
275	315T3412-1		.FITTING ASSY-ATTACH FTG (OPT ITEM 275A)	M,P	1
-275A	315T3412-7		.FITTING ASSY-ATTACH FTG (OPT ITEM 275) ATTACHING PARTS	M,P	1
280	NAS1398CW6-9		.RIVET	M,P	4
285	NAS1398CW6-5		.RIVET	M,P	10
290	NAS1398CW6-6		.RIVET	M,P	2
295	NAS1398CW6-8		.RIVET	M,P	4
300	NAS1398CW8-7		.RIVET	M,P	3

71-11-31

ILLUSTRATED PARTS LIST

01.1 Page 1084C

Jul 01/03

FIG. & ITEM	PART NO.	AIRLINE PART NUMBER	NOMENCLATURE 1234567	EFF CODE	QTY PER ASSY
09-					
305	NAS1398CW6-4		.RIVET	M,P	5
310	NAS1398CW8-9		.RIVET	M,P	1
			-----*-----		
315	BACR15CE3D		..RIVET- (SIZE DETERMINE ON INST) (OPT ITEM 315A)	M,P	1
-315A	AF5141-3C		..RIVET- (V53551) (SPEC BACR15DR3AC) (OPT CCR264CS3C (V11815)) (OPT RV541A3C (V98996)) (SIZE DETERMINE ON INST) (OPT ITEM 315)	M,P	1
320	BACR15CE3D		..RIVET- (SIZE DETERMINE ON INST)	M,P	1
325	BACN10JB4CFM		..NUTPLATE	M,P	1
330	315T3412-2		..FITTING- (REPLD BY ITEM 330A) (USED ON ITEM 275)	M,P	1
-330A	315T3412-6		..FITTING- (REPLS ITEM 330) (OPT ITEM 330B) (USED ON ITEM 275)	M,P	1
-330B	315T3412-4		..FITTING (OPT ITEM 330A) (USED ON ITEM 275)	M,P	1
-330C	315T3412-9		..FITTING- (USED ON ITEM 275A)	M,P	1

71-11-31

 ILLUSTRATED PARTS LIST  
 01.1 Page 1084D  
 Jul 01/03


**BOEING**  
 COMPONENT  
 MAINTENANCE MANUAL

FIG. & ITEM	PART NO.	AIRLINE PART NUMBER	NOMENCLATURE 1234567	EFF CODE	QTY PER ASSY
09-					
335	BACF3F011J011NN		. FILLER	M,P	1
340	315T3422-15		. ZEE ASSY	M,P	1
			ATTACHING PARTS		
345	HL13VAZ6-5		. BOLT-	M,P	1
			(V56878)		
			(SPEC BACB30NY6K5)		
			(OPT HL13VAZ6-5		
			(V73197))		
			(OPT HL13VAZ6-5		
			(V92215))		
			(OPT HL13VAZ6-5		
			(V97928))		
			(OPT L801-6K5		
			(V06725))		
			(OPT HL13VAZ6-5		
			(V08524))		
			(OPT HL13V5		
			(V06725))		
			(OPT HL13VAZ6-5		
			(V17446))		

71-11-31

ILLUSTRATED PARTS LIST

01.1 Page 1084E

Jul 01/03

FIG. & ITEM	PART NO.	AIRLINE PART NUMBER	NOMENCLATURE 1234567	EFF CODE	QTY PER ASSY
09-350	HL1012AZ6-5		.BOLT- (V97928) (SPEC BACB30NX6K5) (OPT HL12VAZ6-5 (V73197)) (OPT HL12VAZ6-5 (V92215)) (OPT HL12VAZ6-5 (V97928)) (OPT L802-6K5 (V06725)) (OPT HL12VAZ6-5 (V56878)) (OPT HL1012AZ6-5 (V0PTK6)) (OPT HL1012AZ6-5 (V06725)) (OPT HL1012AZ6-5 (V06950)) (OPT HL1012AZ6-5 (V17446)) (OPT HL1012AZ6-5 (V56878)) (OPT HL1012AZ6-5 (V60516)) (OPT HL1012AZ6-5 (V73197))	M,P	3

# 71-11-31

 ILLUSTRATED PARTS LIST  
 01.1 Page 1084F  
 Jul 01/03

**BOEING**  
 COMPONENT  
 MAINTENANCE MANUAL

FIG. & ITEM	PART NO.	AIRLINE PART NUMBER	NOMENCLATURE 1234567	EFF CODE	QTY PER ASSY
09-355	HL1012AZ6-7		.BOLT- (V97928) (SPEC BACB30NX6K7) (OPT HL12VAZ6-7 (V73197)) (OPT HL12VAZ6-7 (V92215)) (OPT HL12VAZ6-7 (V97928)) (OPT L802-6K7 (V06725)) (OPT HL12VAZ6-7 (V56878)) (OPT HL1012AZ6-7 (V0PTK6)) (OPT HL1012AZ6-7 (V06725)) (OPT HL1012AZ6-7 (V06950)) (OPT HL1012AZ6-7 (V17446)) (OPT HL1012AZ6-7 (V56878)) (OPT HL1012AZ6-7 (V60516)) (OPT HL1012AZ6-7 (V73197))	M,P	2

**71-11-31**

ILLUSTRATED PARTS LIST  
 01.1 Page 1084G  
 Jul 01/03



FIG. & ITEM	PART NO.	AIRLINE PART NUMBER	NOMENCLATURE 1234567	EFF CODE	QTY PER ASSY
09-360	HL1012AZ6-8		.BOLT- (V97928) (SPEC BACB30NX6K8) (OPT HL12VAZ6-8 (V73197)) (OPT HL12VAZ6-8 (V92215)) (OPT HL12VAZ6-8 (V97928)) (OPT L802-6K8 (V06725)) (OPT HL12VAZ6-8 (V56878)) (OPT HL1012AZ6-8 (V0PTK6)) (OPT HL1012AZ6-8 (V06725)) (OPT HL1012AZ6-8 (V06950)) (OPT HL1012AZ6-8 (V17446)) (OPT HL1012AZ6-8 (V56878)) (OPT HL1012AZ6-8 (V60516)) (OPT HL1012AZ6-8 (V73197))	M,P	4

# 71-11-31

 ILLUSTRATED PARTS LIST  
 01.1 Page 1084H  
 Jul 01/03

**BOEING**  
 COMPONENT  
 MAINTENANCE MANUAL

FIG. & ITEM	PART NO.	AIRLINE PART NUMBER	NOMENCLATURE 1234567	EFF CODE	QTY PER ASSY
09-365	HL1012AZ6-6		.BOLT- (V97928) (SPEC BACB30NX6K6) (OPT HL12VAZ6-6 (V73197)) (OPT HL12VAZ6-6 (V92215)) (OPT HL12VAZ6-6 (V97928)) (OPT L802-6K6 (V06725)) (OPT HL12VAZ6-6 (V56878)) (OPT HL1012AZ6-6 (V0PTK6)) (OPT HL1012AZ6-6 (V06725)) (OPT HL1012AZ6-6 (V06950)) (OPT HL1012AZ6-6 (V17446)) (OPT HL1012AZ6-6 (V56878)) (OPT HL1012AZ6-6 (V60516)) (OPT HL1012AZ6-6 (V73197))	M,P	3
370	HL1187-6		.COLLAR- (V5M902) (SPEC BACC30X6) (OPT HL87-6 (V73197)) (OPT HL87-6 (V92215)) (OPT HL1187-6 (V56878)) (OPT HL1187-6 (V92215)) (OPT HL87-6 (V56878)) (OPT HL1187-6 (V73197))	M,P	13
375	MS21141-6P6		DELETED		
375A	MS21141-0606P		.FASTENER	M,P	19
380	MS21141-6P4		DELETED		

**71-11-31**

ILLUSTRATED PARTS LIST  
 01.1 Page 1084I  
 Jul 01/03

FIG. & ITEM	PART NO.	AIRLINE PART NUMBER	NOMENCLATURE 1234567	EFF CODE	QTY PER ASSY
09-					
380A	MS21141-0604P		.FASTENER	M,P	7
385	NAS1398CW6-8		.RIVET	M,P	1
390	HL10VAZ8-10		.BOLT- (V60516) (SPEC BACB30MY8K10) (OPT B30MY8K10 (V97928))	M,P	1
395	HL10VAZ8-4		.BOLT- (V60516) (SPEC BACB30MY8K4) (OPT B30MY8K4 (V97928))	M,P	5
400	HL10VAZ8-2		.BOLT- (V60516) (SPEC BACB30MY8K2) (OPT B30MY8K2 (V97928))	M,P	7
405	HL79-8		.COLLAR- (V5M902) (SPEC BACC30M8) (OPT HL79-8 (V73197)) (OPT HL79-8 (V92215)) (OPT 66014-8 (V56878)) (OPT HL79-8 (V56878))	M,P	12
410	H10-3BAC		.NUT- (V15653) (SPEC BACN10JC3) (OPT NS202101-02 (V80539)) (OPT RMLH9075-3W (V72962)) (OPT T6S1032J (V71087)) (OPT VN303A02 (V92215)) (OPT 96-02 (V80539)) (OPT BRH10A3 (V52828))	M,P	1

71-11-31

 ILLUSTRATED PARTS LIST  
 01.1 Page 1084J  
 Jul 01/03


**BOEING**  
 COMPONENT  
 MAINTENANCE MANUAL

FIG. & ITEM	PART NO.	AIRLINE PART NUMBER	NOMENCLATURE 1234567	EFF CODE	QTY PER ASSY
09-415	HL10VAZ6-2		.BOLT- (V60516) (SPEC BACB30MY6K2) (OPT B30MY6K2 (V97928))	M,P	6
R 420	HL11VAZ6-2		.BOLT- (V60516) (SPEC BACB30NW6K2) (OPT B30NW6K2 (V97928)) (OPT HL11VAZ6-2 (V73197)) (OPT HL11VAZ6-2 (V92215)) (OPT HL11VAZ6-2 (V97928)) (OPT L803-6K2 (V06725)) (OPT HL11VAZ6-2 (V0PTK6)) (OPT HLVAZ6-2 (V56878))	M,P	1
425	HL10VAZ6-7		.BOLT- (V60516) (SPEC BACB30MY6K7) (OPT B30MY6K7 (V97928))	M,P	3
430	HL10VAZ6-8		.BOLT- (V60516) (SPEC BACB30MY6K8) (OPT B30MY6K8 (V97928))	M,P	1

71-11-31

 ILLUSTRATED PARTS LIST  
 01.1 Page 1084K  
 Jul 01/03

FIG. & ITEM	PART NO.	AIRLINE PART NUMBER	NOMENCLATURE 1234567	EFF CODE	QTY PER ASSY
R 09-435	HL11VAZ6-3		.BOLT- (V60516) (SPEC BACB30NW6K3) (OPT B30NW6K3 (V97928)) (OPT HL11VAZ6-3 (V73197)) (OPT HL11VAZ6-3 (V92215)) (OPT HL11VAZ6-3 (V97928)) (OPT L803-6K3 (V06725)) (OPT HL11VAZ6-3 (V0PTK6)) (OPT HL11VAZ6-3 (V56878))	M,P	2
440	HL79-6		.COLLAR- (V5M902) (SPEC BACC30M6) (OPT HL79-6 (V73197)) (OPT HL79-6 (V92215)) (OPT 66014-6 (V56878)) (OPT HL79-6 (V56878))	M,P	11
445	H10-3BAC		.NUT- (V15653) (SPEC BACN10JC3) (OPT NS202101-02 (V80539)) (OPT RMLH9075-3W (V72962)) (OPT T6S1032J (V71087)) (OPT VN303A02 (V92215)) (OPT 96-02 (V80539)) (OPT BRH10A3 (V52828))	M,P	2

71-11-31

 ILLUSTRATED PARTS LIST  
 01.1 Page 1084L  
 Jul 01/03

**BOEING**  
 COMPONENT  
 MAINTENANCE MANUAL

FIG. & ITEM	PART NO.	AIRLINE PART NUMBER	NOMENCLATURE 1234567	EFF CODE	QTY PER ASSY
09-					
450	BACB30NU3-5		.BOLT	M,P	1
455	BACB30NU3K5		.BOLT	M,P	2
460	AN960PD10L		.WASHER	M,P	3
465	BACN10GW3		.NUT	M,P	3
R 470	HL11VAZ5-3		.BOLT- (V60516) (SPEC BACB30NW5K3) (OPT B30NW5K3 (V97928)) (OPT HL11VAZ5-3 (V73197)) (OPT HL11VAZ5-3 (V92215)) (OPT HL11VAZ5-3 (V97928)) (OPT L803-5K3 (V06725)) (OPT HL11VAZ5-3 (V0PTK6)) (OPT HL11VAZ5-3 (V56878))	M,P	9
475	HL79-5		.COLLAR- (V5M902) (SPEC BACC30M5) (OPT HL70-5 (V73197)) (OPT HL70-5 (V92215)) (OPT 66014-5 (V56878)) (OPT HL70-5 (V56878)) -----*	M,P	9

**71-11-31**

ILLUSTRATED PARTS LIST  
 01.1 Page 1084M  
 Jul 01/03

FIG. & ITEM	PART NO.	AIRLINE PART NUMBER	NOMENCLATURE 1234567	EFF CODE	QTY PER ASSY
09-					
480	BACB30NM4K12		..BOLT	M,P	8
485	H2899-5		..KEEPER ASSY- (V83014)	M,P	2
490	BACR15CE3D		..RIVET- (SIZE DETERMINE ON INST)	M,P	24
495	109F177-4		..NUTPLATE- (V72962) (SPEC BACN10JA4CM) (OPT F2401-4 (V15653)) (OPT 43710E048 (V80539)) (OPT BRF110C4M (V52828)) (OPT BRF170C4M (V52828))	M,P	6
500	BRM300C4M		..NUTPLATE- (V52828) (SPEC BACN10JP4CCM) (OPT MK3001-4BAC (V15653)) (OPT NS103199SE048 (V80539)) (OPT T8082C428 (V11815)) (OPT VN203D1-048 (V92215)) (OPT 109A9205M4 (V72962))	M,P	6

# 71-11-31

 ILLUSTRATED PARTS LIST  
 01.1 Page 1084N  
 Jul 01/03

**BOEING**  
 COMPONENT  
 MAINTENANCE MANUAL

FIG. & ITEM	PART NO.	AIRLINE PART NUMBER	NOMENCLATURE 1234567	EFF CODE	QTY PER ASSY
09-505	315T3416-3		DELETED		
505A	315T3417-3		..BUSHING ASSY ATTACHING PARTS	M,P	3
R 510	HL11VAZ5-7		..BOLT- (V60516) (SPEC BACB30NW5K7) (OPT B30NW5K7 (V97928)) (OPT HL11VAZ5-7 (V73197)) (OPT HL11VAZ5-7 (V92215)) (OPT HL11VAZ5-7 (V97928)) (OPT L803-5K7 (V06725)) (OPT HL11VAZ5-7 (V0PTK6)) (OPT HL11VAZ5-7 (V56878))	M,P	12
515	HL79-5		..COLLAR- (V5M902) (SPEC BACC30M5) (OPT HL70-5 (V73197)) (OPT HL70-5 (V92215)) (OPT 66014-5 (V56878)) (OPT HL70-5 (V56878)) -----*	M,P	12
520	BACR15CE3M		...RIVET- (SIZE DETERMINE ON INST)	M,P	2
525	109F177-4		...NUTPLATE- (V72962) (SPEC BACN10JA4CM) (OPT F2401-4 (V15653)) (OPT 43710E048 (V80539)) (OPT BRF110C4M (V52828)) (OPT BRF170C4M (V52828))	M,P	1

71-11-31

ILLUSTRATED PARTS LIST  
 01.1 Page 10840  
 Jul 01/03



FIG. & ITEM	PART NO.	AIRLINE PART NUMBER	NOMENCLATURE 1234567	EFF CODE	QTY PER ASSY
09-					
530	315T3417-4		...BUSHING	M,P	1
535	BACB30LL3-3		.BOLT	M,P	2
540	315T3411-1		.STRIP-FAIRING	M,P	1
545	BACR15BA3AD		.RIVET- (SIZE DETERMINE ON INST)	M,P	14
550	109F177-3		.NUTPLATE- (V72962) (SPEC BACN10JA3CM) (OPT F2401-3 (V15653)) (OPT 43710E02 (V80539)) (OPT BRF110C3M (V52828)) (OPT BRF170C3M (V52828))	M,P	3
555	MK4001-3BAC		.NUTPLATE- (V15653) (SPEC BACN10JP3DCM) (OPT NS103200SE02 (V80539)) (OPT T8083C1032 (V11815)) (OPT VN204D1-02 (V92215)) (OPT 109A9209M3 (V72962))	M,P	3
560	BR3000C3M		.NUTPLATE- (V52828) (SPEC BACN10KF3CM) (OPT K3001-3BAC (V15653)) (OPT NS103195SE02 (V80539)) (OPT VN103D1-02 (V92215)) (OPT 102A9205-3 (V72962)) (OPT T8119C3 (V11815))	M,P	1

71-11-31

 ILLUSTRATED PARTS LIST  
 01.1 Page 1084P  
 Jul 01/03

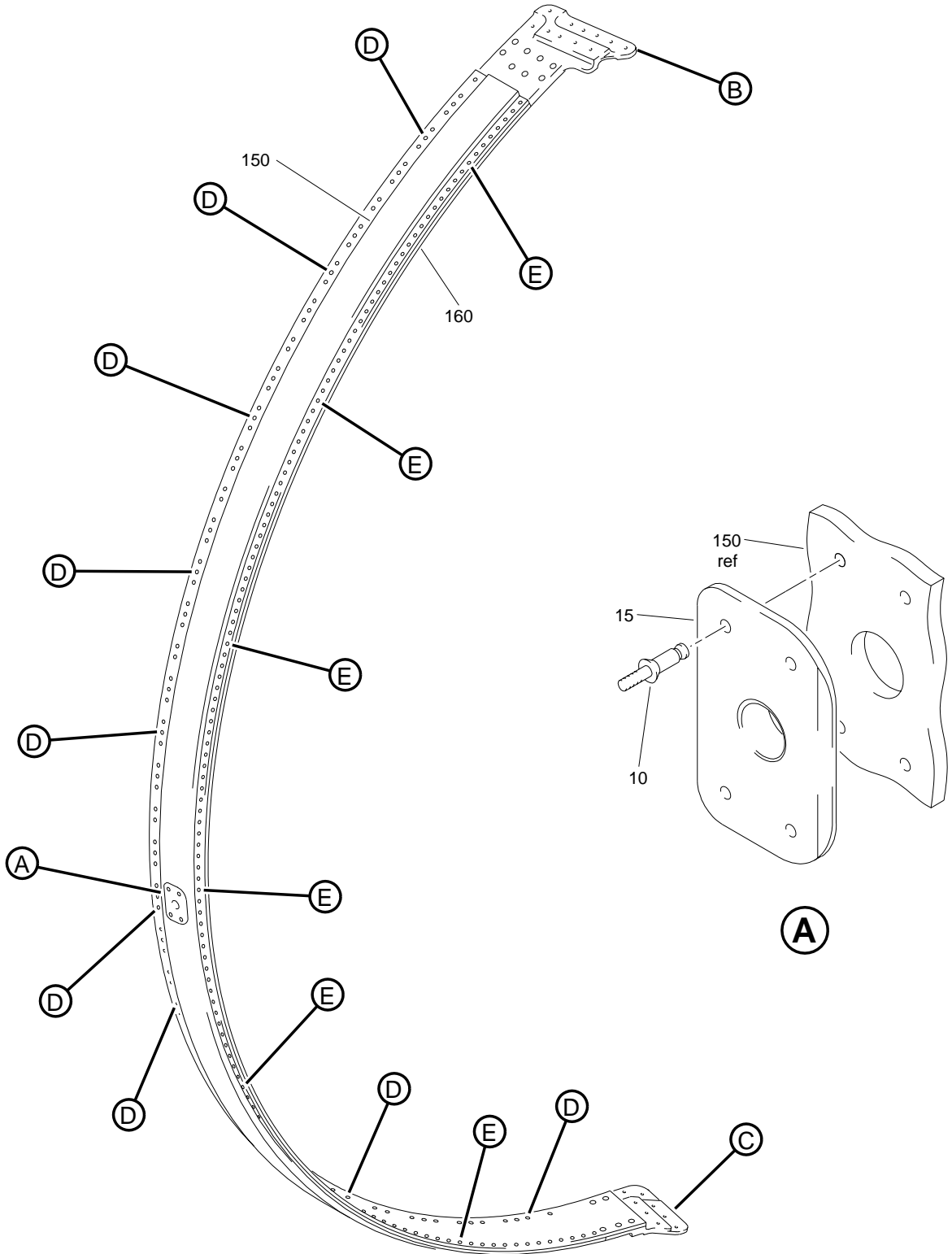

**BOEING**  
 COMPONENT  
 MAINTENANCE MANUAL

FIG. & ITEM	PART NO.	AIRLINE PART NUMBER	NOMENCLATURE 1234567	EFF CODE	QTY PER ASSY
09-565	BACR15FT5KE		.RIVET- (SIZE DETERMINE ON INST)	M,P	4
570	315T3665-7		.KEEPER-LATCH	M,P	1
575	315T3400-247		.FILLER	M,P	1
580	315T3400-130		.FILLER	M,P	3
585	BACR15CE5M		DELETED		
590	BACR15CE5D		.RIVET- (SIZE DETERMINE ON INST)	M,P	1
595	BACR15CE5KE		.RIVET- (SIZE DETERMINE ON INST)	M,P	2
600	315T3400-199		.KEEPER-LATCH	M,P	1
605	315T3401-77		.PANEL ASSY-WALL	M,P	1
610	NAS1398CW4		..RIVET- (SIZE DETERMINE ON INST)	M,P	9
615	315T3401-39		..RETAINER-SEAL	M,P	1
620	315T3401-79		..BOND ASSY	M,P	1
635	BAC27TTR0035		.DECAL	M,P	1

- Item Not Illustrated

# 71-11-31

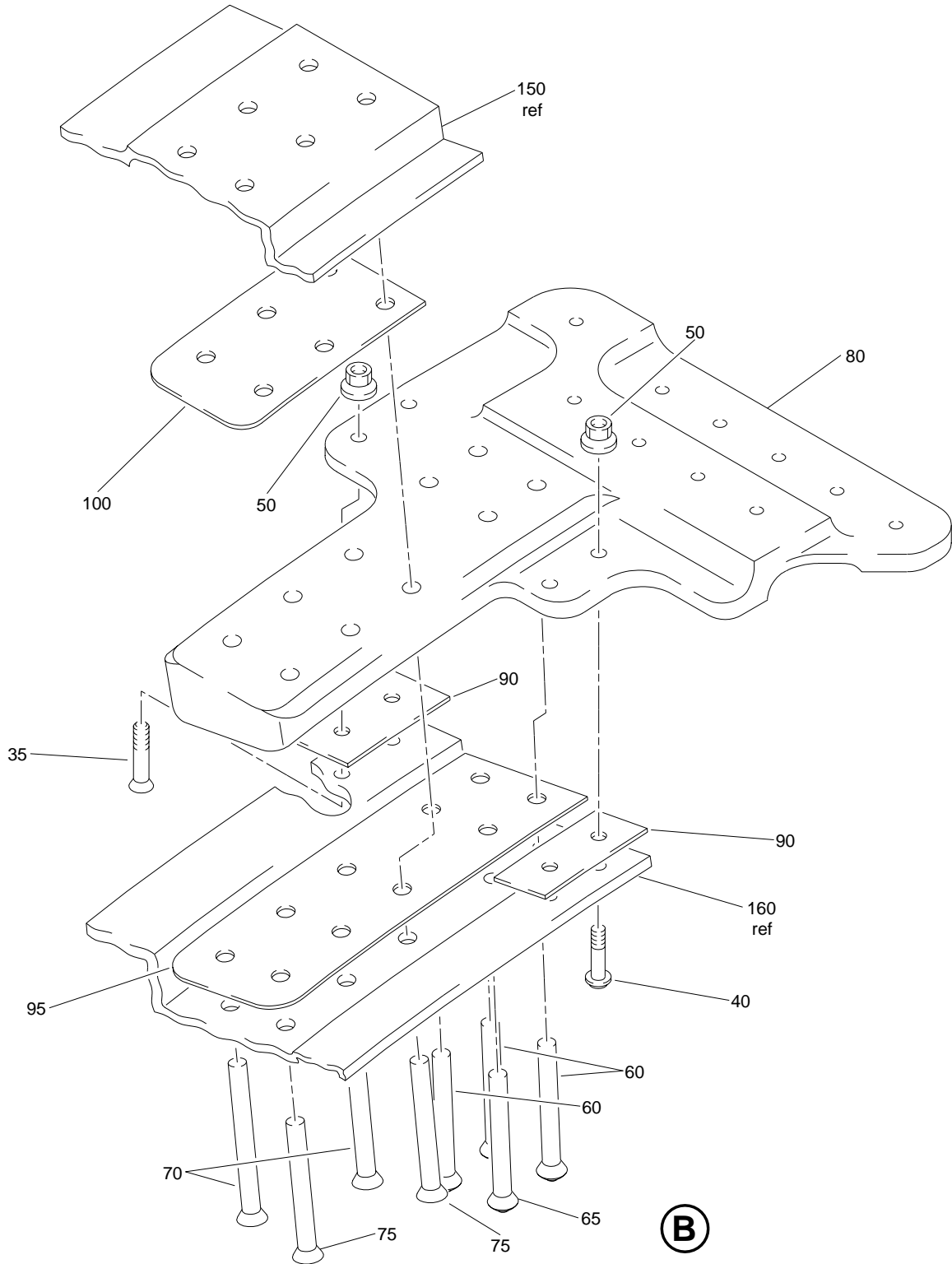
ILLUSTRATED PARTS LIST  
 01.1 Page 1084Q  
 Jul 01/03



Cascade Support Ring Assembly  
Figure 10 (Sheet 1)

**71-11-31**

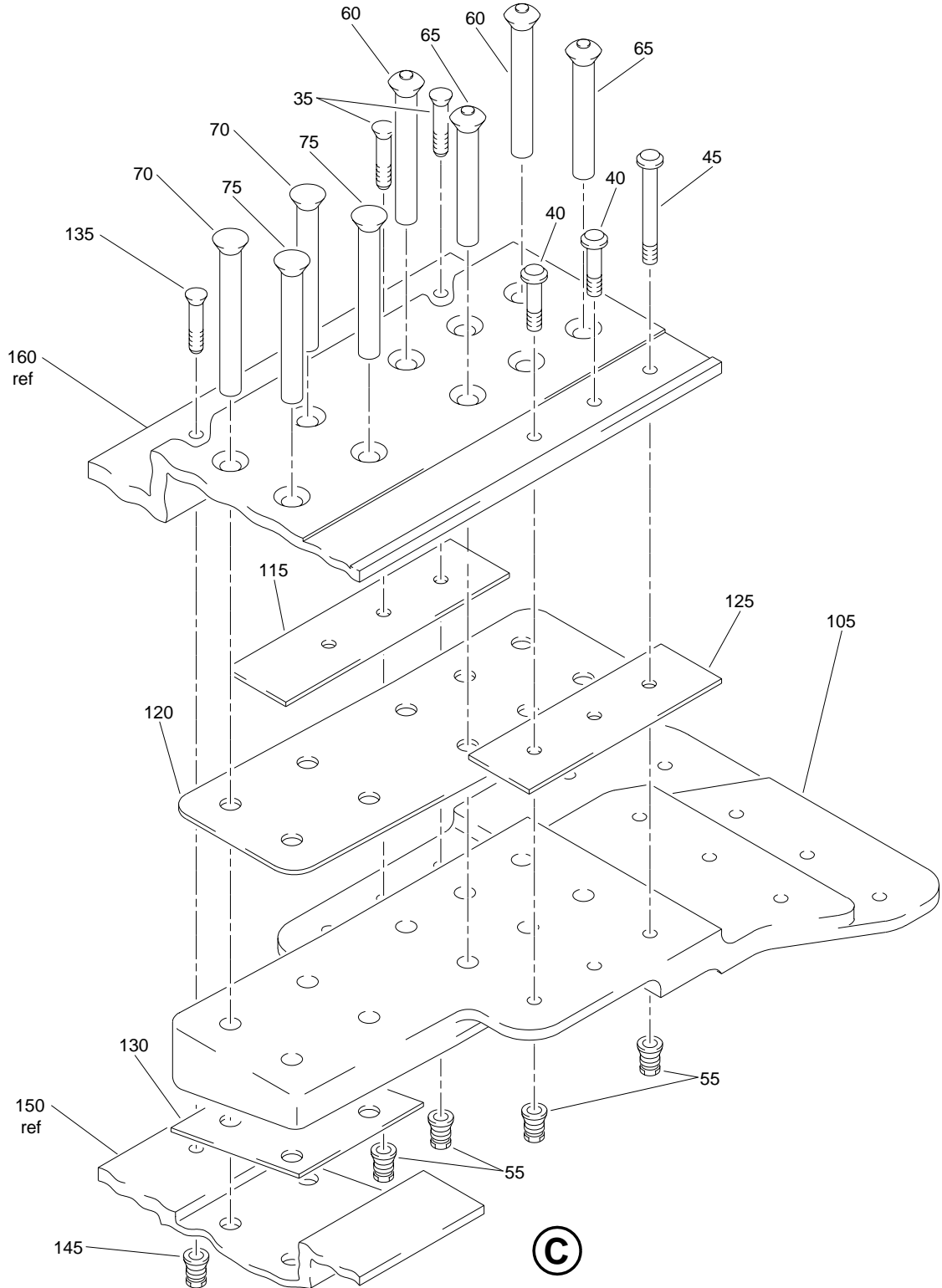
ILLUSTRATED PARTS LIST  
01.1 Page 1084S  
Jul 01/03



**Cascade Support Ring Assembly**  
**Figure 10 (Sheet 2)**

**71-11-31**

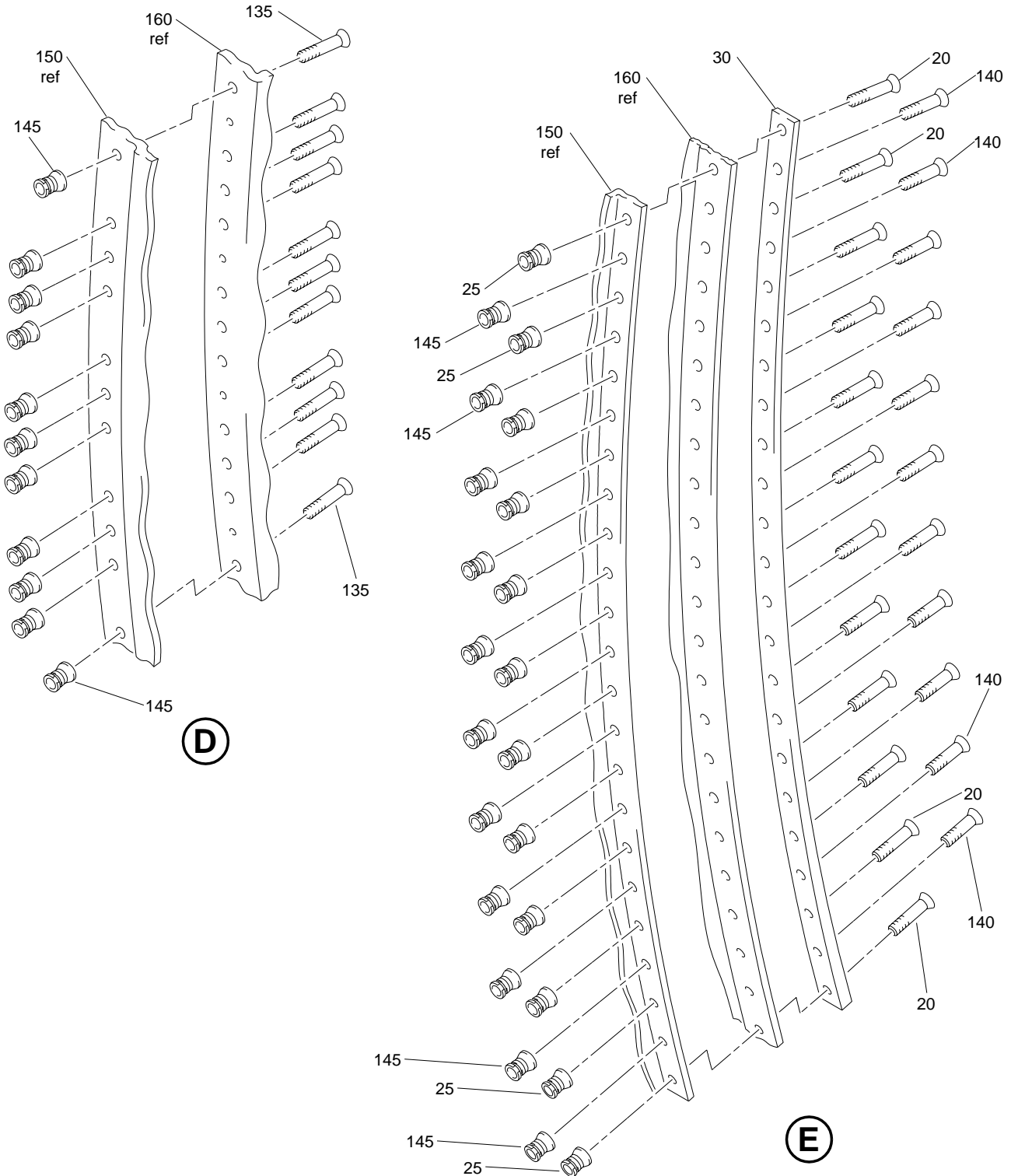
ILLUSTRATED PARTS LIST  
 01.1 Page 1084T  
 Jul 01/03



Cascade Support Ring Assembly  
Figure 10 (Sheet 3)

**71-11-31**

ILLUSTRATED PARTS LIST  
01.1 Page 1084U  
Jul 01/03



Cascade Support Ring Assembly  
 Figure 10 (Sheet 4)

**71-11-31**

ILLUSTRATED PARTS LIST  
 01.1 Page 1084V  
 Jul 01/03


**BOEING**  
 COMPONENT  
 MAINTENANCE MANUAL

FIG. & ITEM	PART NO.	AIRLINE PART NUMBER	NOMENCLATURE 1234567	EFF CODE	QTY PER ASSY
10- -1A	315T3204-21		RING ASSY-CACADE SPRT, AFT (POST SB 767-78A0089)	E, J, M , P	RF
-5	315T3204-22		RING ASSY-CACADE SPRT, AFT (POST SB 767-78A0089)	B, C	RF
10	BACR15FP5MPR		.RIVET- (SIZE DETERMINE ON INST)	B, C, E , J, M, P	4
15	315T3222-9		.BUSHING	B, C, E , J, M, P	1
20	HL13VAZ6-4		.BOLT- (V56878) (SPEC BACB30NY6K4) (OPT HL13VAZ6-4 (V73197)) (OPT HL13VAZ6-4 (V92215)) (OPT HL13VAZ6-4 (V97928)) (OPT L801-6K4 (V06725)) (OPT HL13VAZ6-4 (V60516)) (OPT L801-6K4 (V0PTK6)) (OPT HL13VAZ6-4 (V17446))	B, C, E , J, M, P	72
25	HL79-6		.COLLAR- (V5M902) (SPEC BACC30M6) (OPT HL79-6 (V73197)) (OPT HL79-6 (V92215)) (OPT 66014-6 (V56878)) (OPT HL79-6 (V56878))	B, C, E , J, M, P	72
30	315T3220-1		.STRIP-RUB	B, C, E , J, M, P	6

71-11-31

ILLUSTRATED PARTS LIST

01.1 Page 1084W

Jul 01/03

FIG. & ITEM	PART NO.	AIRLINE PART NUMBER	NOMENCLATURE 1234567	EFF CODE	QTY PER ASSY
R 10-35	HL11VAZ6-5		.BOLT- (V60516) (SPEC BACB30NW6K5) (OPT B30NW6K5 (V97928)) (OPT HL11VAZ6-5 (V73197)) (OPT HL11VAZ6-5 (V92215)) (OPT HL11VAZ6-5 (V97928)) (OPT L803-6K5 (V06725)) (OPT HL11VAZ6-5 (V0PTK6)) (OPT HL11VAZ6-5 (V56878))	B,C,E ,J,M, P	4
40	BACB30MY6K4		.BOLT	B,C,E ,J,M, P	4
45	BACB30MY6K10		.BOLT	B,C,E ,J,M, P	1
50	BACN10YT3CS		.NUT	B,C,E ,J,M, P	4
55	HL79-6		.COLLAR- (V5M902) (SPEC BACC30M6) (OPT HL79-6 (V73197)) (OPT HL79-6 (V92215)) (OPT 66014-6 (V56878)) (OPT HL79-6 (V56878))	B,C,E ,J,M, P	5
60	BACR15CE8K20		.RIVET	B,C,E ,J,M, P	6
65	BACR15CE8K17		.RIVET	B,C,E ,J,M, P	4

71-11-31

 ILLUSTRATED PARTS LIST  
 01.1 Page 1084X  
 Jul 01/03




**BOEING**  
 COMPONENT  
 MAINTENANCE MANUAL

FIG. & ITEM	PART NO.	AIRLINE PART NUMBER	NOMENCLATURE 1234567	EFF CODE	QTY PER ASSY
10-70	BACR15BA8KE22C		.RIVET	B,C,E ,J,M, P	5
75	BACR15BA8KE19C		.RIVET	B,C,E ,J,M, P	5
80	315T4216-5		.FITTING-ATTACH, UPR	E,J,M ,P	1
-85	315T4216-6		.FITTING-ATTACH, UPR	B,C	1
90	BACS40R011B028F		.SHIM	B,C,E ,J,M, P	AR
95	BACS40R022C058F		.SHIM	B,C,E ,J,M, P	AR
100	BACS40R021B035F		.SHIM	B,C,E ,J,M, P	AR
105	315T4203-7		.FITTING-ATTACH, LWR (OPT ITEM 105A)	E,J,M ,P	1
-105A	315T4203-9		.FITTING-ATTACH, LWR (OPT ITEM 105)	E,J,M ,P	1
-110	315T4203-8		.FITTING-ATTACH, LWR (OPT ITEM 110A)	B,C	1
-110A	315T4203-10		.FITTING-ATTACH, LWR (OPT ITEM 110)	B,C	1
115	BACS40R011C033F		.SHIM	B,C,E ,J,M, P	AR
120	BACS40R022C065F		.SHIM	B,C,E ,J,M, P	AR

71-11-31

ILLUSTRATED PARTS LIST

01.1 Page 1084Y

Jul 01/03

FIG. & ITEM	PART NO.	AIRLINE PART NUMBER	NOMENCLATURE 1234567	EFF CODE	QTY PER ASSY
10-125	BACS40R011B033F		.SHIM	B,C,E ,J,M, P	AR
130	BACS40R021B029F		.SHIM	B,C,E ,J,M, P	AR
R 135	HL11VAZ6-5		.BOLT- (V60516) (SPEC BACB30NW6K5) (OPT B30NW6K5 (V97928)) (OPT HL11VAZ6-5 (V73197)) (OPT HL11VAZ6-5 (V92215)) (OPT HL11VAZ6-5 (V97928)) (OPT L803-6K5 (V06725)) (OPT HL11VAZ6-5 (V0PTK6)) (OPT HL11VAZ6-5 (V56878))	B,C,E ,J,M, P	100
R 140	HL11VAZ6-3		.BOLT- (V60516) (SPEC BACB30NW6K3) (OPT B30NW6K3 (V97928)) (OPT HL11VAZ6-3 (V73197)) (OPT HL11VAZ6-3 (V92215)) (OPT HL11VAZ6-3 (V97928)) (OPT L803-6K3 (V06725)) (OPT HL11VAZ6-3 (V0PTK6)) (OPT HL11VAZ6-3 (V56878))	B,C,E ,J,M, P	66

71-11-31

 ILLUSTRATED PARTS LIST  
 01.1 Page 1084Z  
 Jul 01/03


**BOEING**  
 COMPONENT  
 MAINTENANCE MANUAL

FIG. & ITEM	PART NO.	AIRLINE PART NUMBER	NOMENCLATURE 1234567	EFF CODE	QTY PER ASSY
10-145	HL79-6		.COLLAR- (V5M902) (SPEC BACC30M6) (OPT HL79-6 (V73197)) (OPT HL79-6 (V92215)) (OPT 66014-6 (V56878)) (OPT HL79-6 (V56878))	B,C,E ,J,M, P	166
150	315T3224-9		.SEGMENT-RING, OUTER	E,J,M ,P	1
-155	315T3224-10		.SEGMENT-RING, OUTER	B,C	1
160	315T3223-5		.RING-INNER	B,C,E ,J,M, P	1

- Item Not Illustrated

# 71-11-31

ILLUSTRATED PARTS LIST

01.1

Page 1085

Jul 01/03